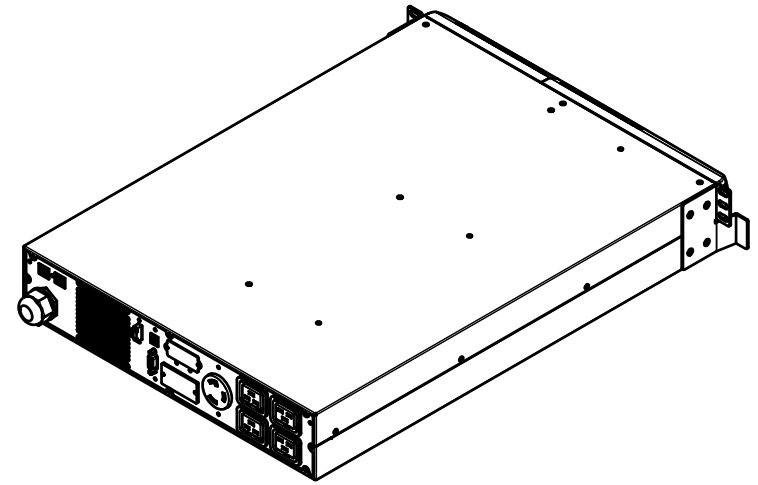
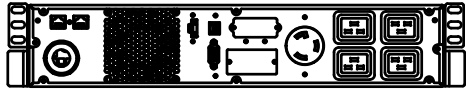
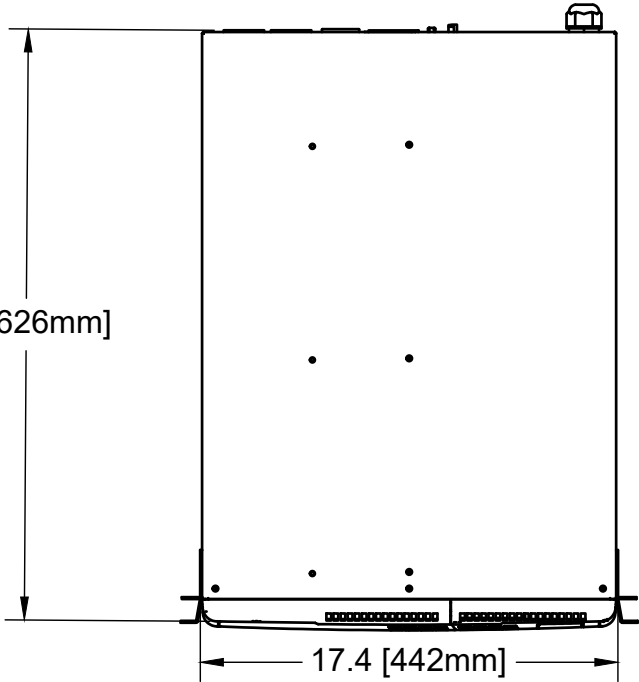


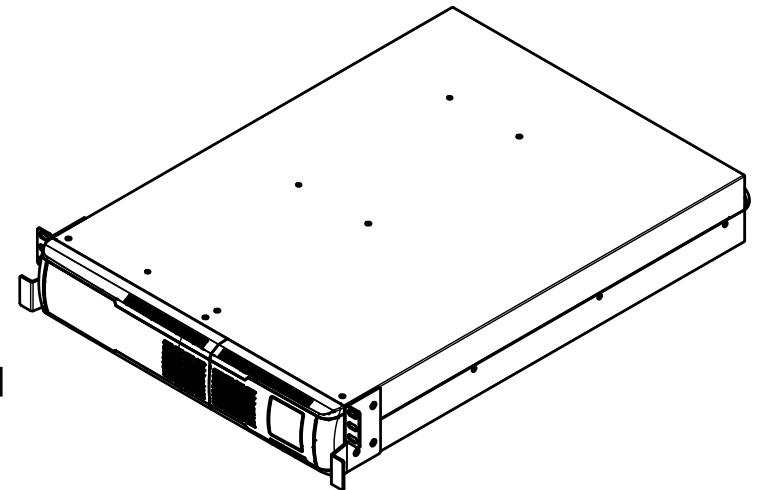
Rear



25 [626mm]



3.4 [85mm]



17.4 [442mm]

Front



**ENCONNEX**<sup>®</sup>

PROJECT

Line-Interactive Lead-Acid UPS - 3000 VA

TITLE

LX3000M Technical Drawing

APPROVED RF

CHECKED IR

DRAWN JB

10/17/2022

SIZE

A

CODE

DWG NO

LX3000M

REV

0

SCALE 1:8

WEIGHT

SHEET 1/1