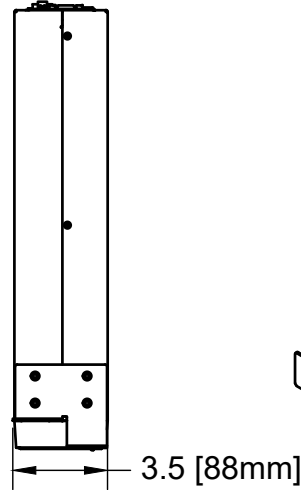
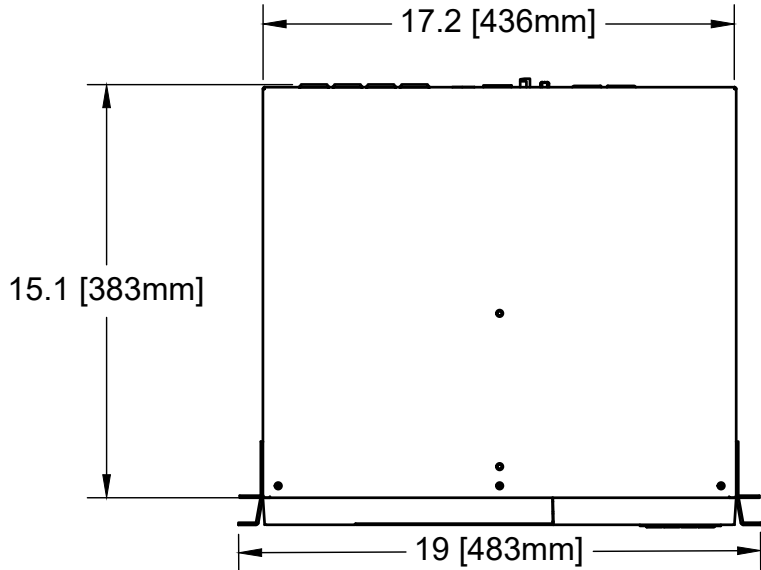
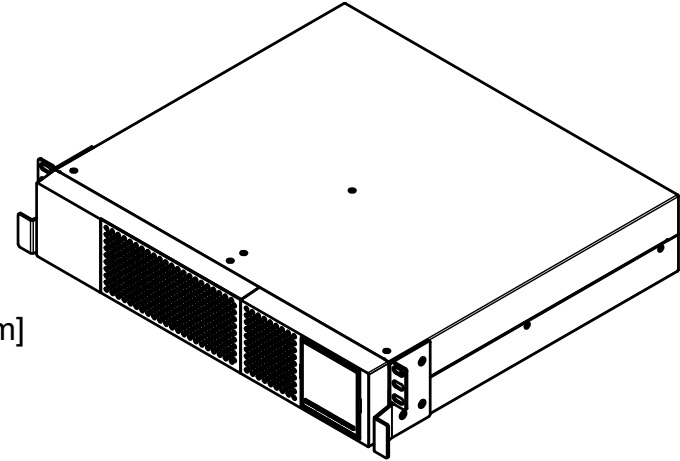
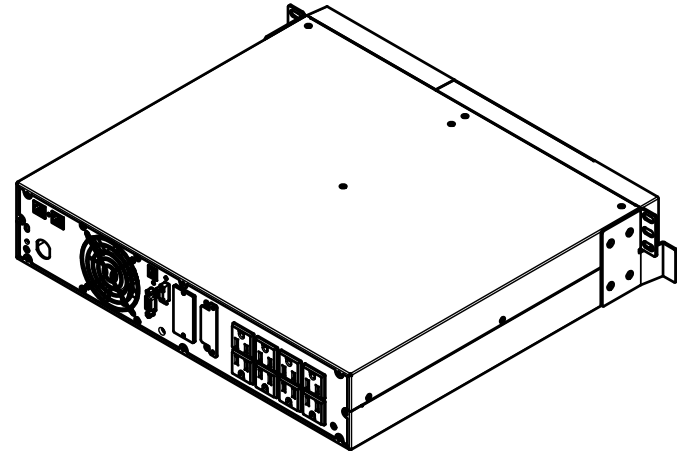
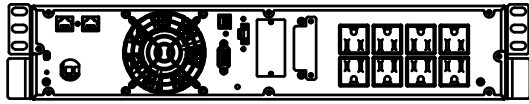
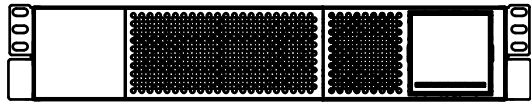


Rear



Front



ENCONNEX[®]

PROJECT

Online Li-ion UPS - 1500 VA

TITLE

DG1500L Technical Drawing

APPROVED RF

CHECKED IR

DRAWN JB

11/8/2021

SIZE

A

CODE

DWG NO

DG1500L

REV

0

SCALE 1:7

WEIGHT

SHEET 1/1