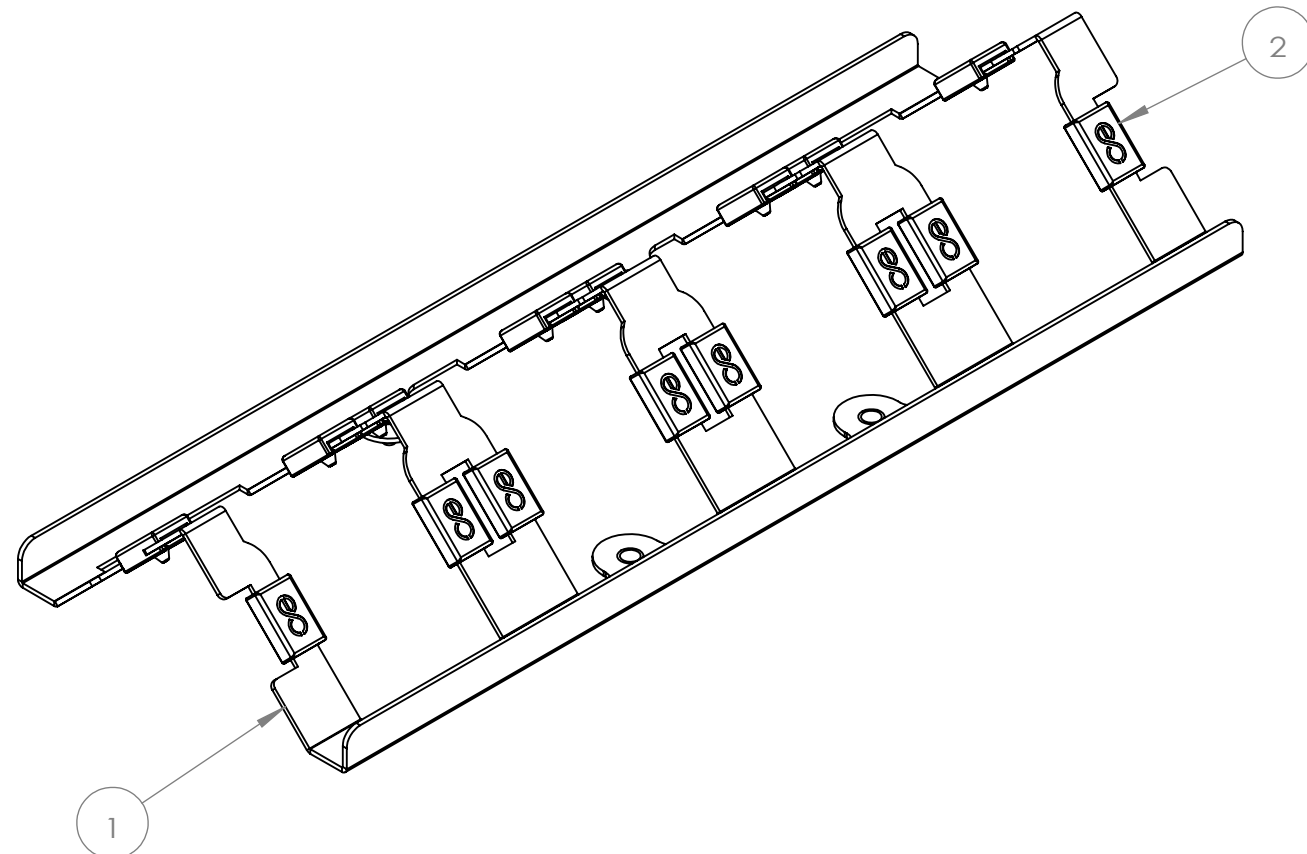




NOTES:

REVISIONS			
REV.	DESCRIPTION	DATE	APPROVED
A	FULL RELEASED	20230510	CT

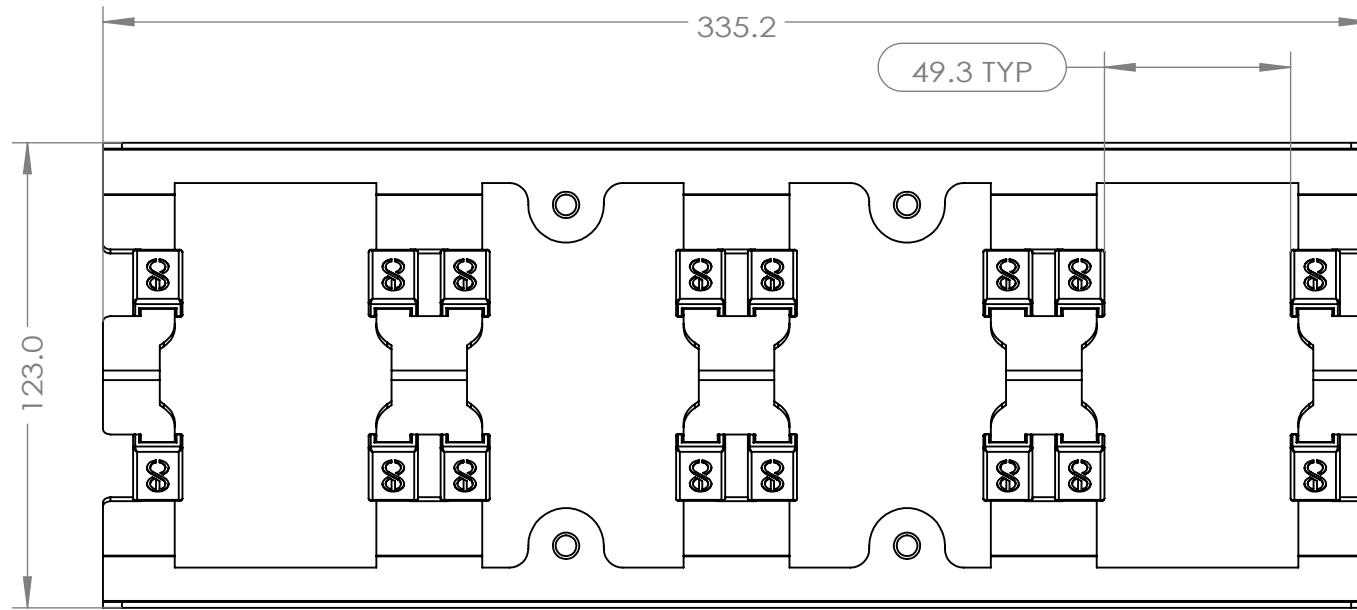
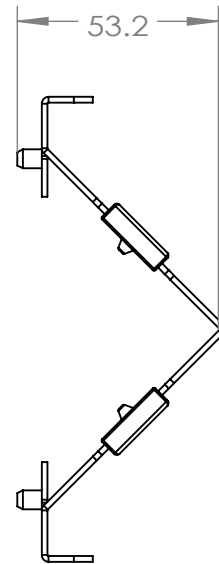


ITEM NO.	PART NUMBER	DESCRIPTION	QTY.
1	1M2-Y302281	MANUFAC, SUB, PROCESS, COAT, 4 POSITION NUCHOLDER	1
2	1Q6-Y331		16

<p>PROPRIETARY AND CONFIDENTIAL</p> <p>This drawing and its specifications are the property of ENCONNEX and shall not be copied, reproduced, or used in whole or in part, as the basis for the manufacture or sale of items without written permission from ENCONNEX. This drawing is based upon the latest available information and is subject to change without notice.</p>	<p>UNLESS OTHERWISE SPECIFIED</p> <p>X = ± 1 X.X = ± 0.5 X.XX = ± 0.30 X.XXX = ± 0.130 ANGULAR X = 1° .X = 0.5° .XX = 0.25°</p>				<p>DESCRIPTION: FIANL ASSY, 4 POSITION NUC HOLDER ASSY</p>		
	<p>COMMENTS:</p>		<p>4670 AIRCENTER CIRCLE RENO, NV 89502</p>		<p>MATERIAL: SEE INDIVIDUAL</p>		
			<p>FINISH: N/A</p>	<p>CLASS: N/A B</p>	<p>SIZE: N/A B</p>	<p>DRAWING NO: E103300-81B</p>	<p>REV NO: A</p>
	<p>UNITS: mm [in]</p>		<p>DRAWN BY: YIFEI WANG 20230510</p> <p>APP. BY: YIFEI WANG 20230510</p>	<p>DEBURR AND BREAK SHARP EDGES/CONTOURS AT 0.2mm MAX</p>		<p>SCALE: 1:2</p>	<p>WEIGHT:</p>

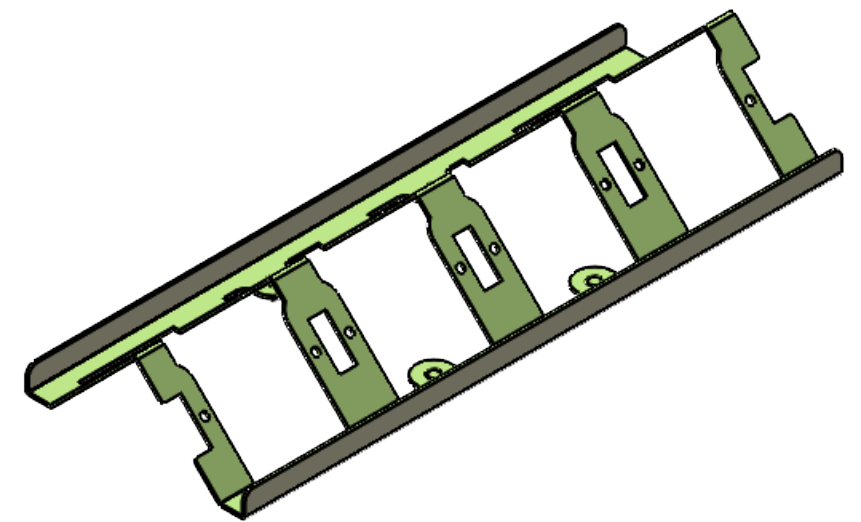
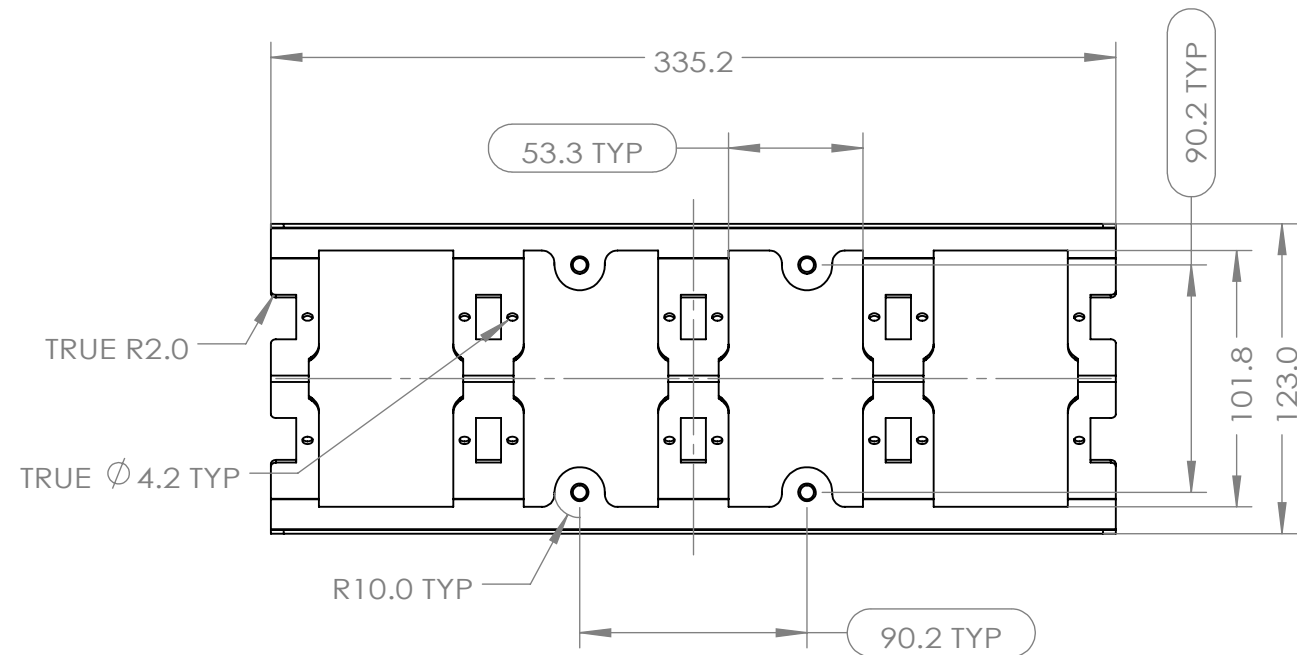
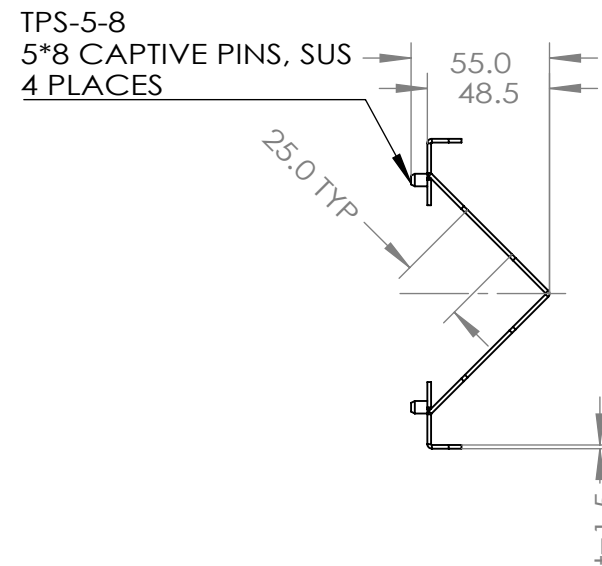
Grid lines: 8, 7, 6, 5, 4, 3, 2, 1 (horizontal); E, D, C, B, A (vertical)

NOTES:



<p>PROPRIETARY AND CONFIDENTIAL</p> <p>This drawing and its specifications are the property of ENCONNEX and shall not be copied, reproduced, or used in whole or in part, as the basis for the manufacture or sale of items without written permission from ENCONNEX. This drawing is based upon the latest available information and is subject to change without notice.</p>	<p>UNLESS OTHERWISE SPECIFIED</p> <p>X = ± 1 X.X = ± 0.5 X.XX = ± 0.30 X.XXX = ± 0.130</p> <p>ANGULAR X = 1° .X = 0.5° .XX = 0.25°</p>				<p>DESCRIPTION:</p> <p>FIANL ASSY, 4 POSITION NUC HOLDER ASSY</p>			
	<p>COMMENTS:</p>		<p>4670 AIRCENTER CIRCLE RENO, NV 89502</p>		<p>MATERIAL: SEE INDIVIDUAL</p>			
	<p>DRAWN BY: YIFEI WANG 20230510</p> <p>APP. BY: YIFEI WANG 20230510</p>		<p>FINISH: N/A</p> <p>CLASS: N/A B</p>		<p>SIZE: N/A B</p> <p>DRAWING NO: E103300-81B</p>		<p>REV NO: A</p>	
	<p>UNITS: mm [in]</p>		<p>INTERPRET TO ASME Y14.100</p>		<p>DEBURR AND BREAK SHARP EDGES/CONTOURS AT 0.2mm MAX</p>		<p>SCALE: 1:2</p> <p>WEIGHT:</p> <p>SHEET: 2 OF 3</p>	

NOTES:



<p>PROPRIETARY AND CONFIDENTIAL</p> <p>This drawing and its specifications are the property of ENCONNEX and shall not be copied, reproduced, or used in whole or in part, as the basis for the manufacture or sale of items without written permission from ENCONNEX. This drawing is based upon the latest available information and is subject to change without notice.</p>	<p>UNLESS OTHERWISE SPECIFIED</p> <p>X = ± 1 X.X = ± 0.5 X.XX = ± 0.30 X.XXX = ± 0.130 ANGULAR X = 1° .X = 0.5° .XX = 0.25°</p>		<p>4670 AIRCENTER CIRCLE RENO, NV 89502</p>	<p>DESCRIPTION: FIANL ASSY, 4 POSITION NUC HOLDER ASSY</p>			
	<p>COMMENTS:</p>			<p>MATERIAL: 1.5MM SPCC</p>	<p>SIZE: B</p>	<p>DRAWING NO: 1M2-Y302281</p>	<p>REV NO: A</p>
		<p>NAME</p> <p>DRAWN BY: YIFEI WANG</p>	<p>DATE</p> <p>20230510</p>	<p>FINISH: BLACK, RAL9005</p>	<p>CLASS: A</p>	<p>SCALE: 1:3</p>	<p>WEIGHT:</p>
	<p>UNITS: mm [in]</p>	<p>INTERPRET TO ASME Y14.100</p>		<p>DEBURR AND BREAK SHARP EDGES/CONTOURS AT 0.2mm MAX</p>	<p>SHEET: 3 OF 3</p>		