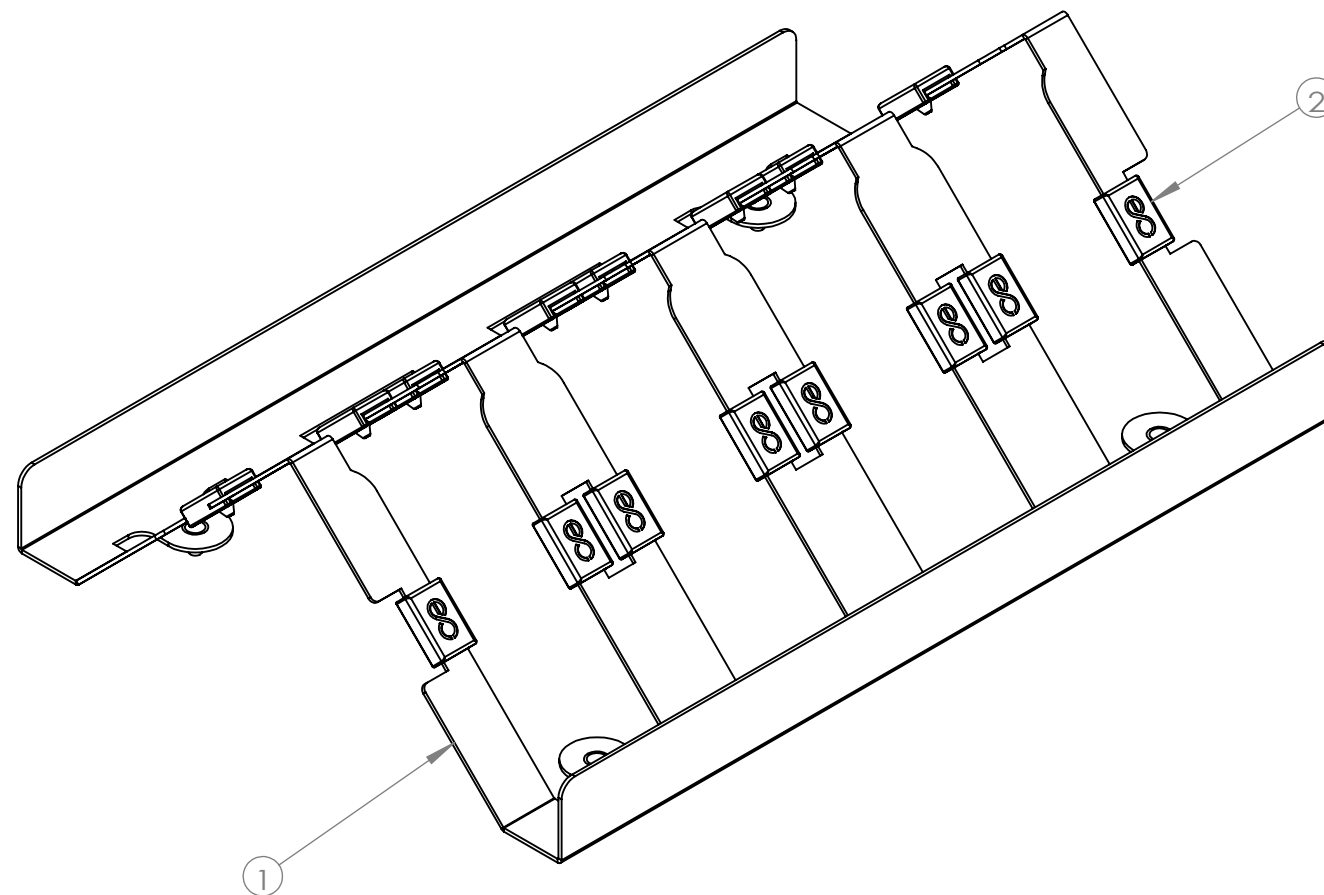



NOTES:

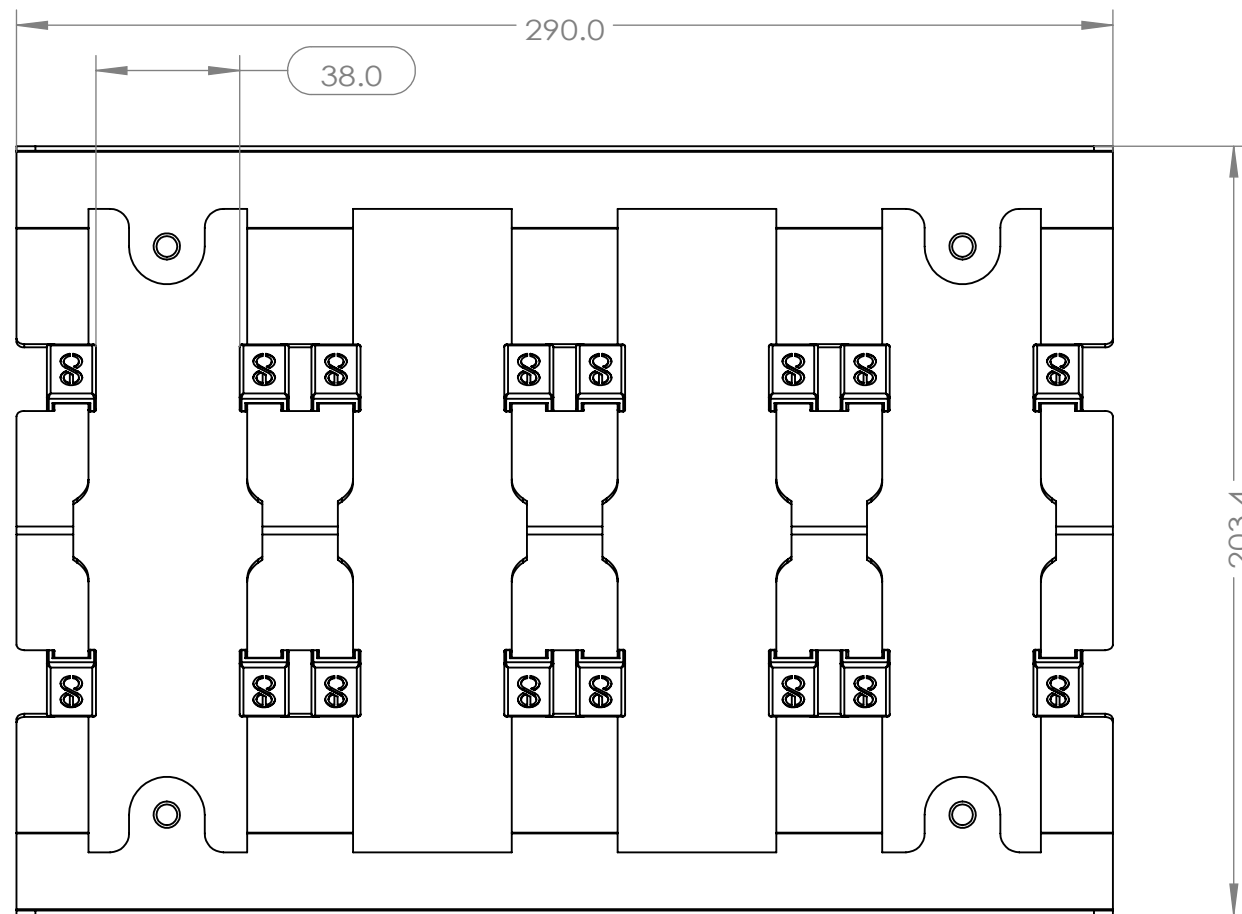
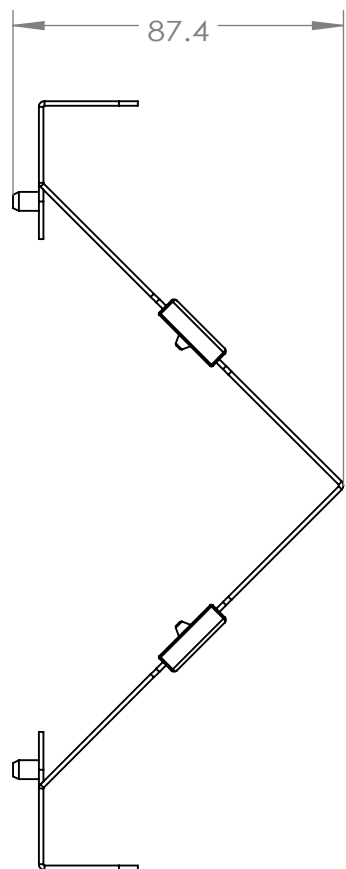
REVISIONS			
REV.	DESCRIPTION	DATE	APPROVED
A	FULL RELEASED	20230510	CT



ITEM NO.	PART NUMBER	DESCRIPTION	QTY.
1	1M2-Y335	MANUFAC, SUB, PROCESS, COAT, 4 POSITION MAC MINI HOLDER	1
2	1Q6-Y331	MANUFAC, SUB, INJC, RUBBER BLOCK FOR BRACKT	16

<p><b>PROPRIETARY AND CONFIDENTIAL</b></p> <p>This drawing and its specifications are the property of ENCONNEX and shall not be copied, reproduced, or used in whole or in part, as the basis for the manufacture or sale of items without written permission from ENCONNEX. This drawing is based upon the latest available information and is subject to change without notice.</p>	<p>UNLESS OTHERWISE SPECIFIED</p> <p>X = ± 1  X.X = ± 0.5  X.XX = ± 0.30  X.XXX = ± 0.130  ANGULAR  X = 1°  .X = 0.5°  .XX = 0.25°</p>				<p>DESCRIPTION:</p> <p><b>FINAL ASSY, 4 POSITION MAC MINI HOLDER ASSY</b></p>			
	<p>COMMENTS:</p>		<p>4670 AIRCENTER CIRCLE  RENO, NV 89502</p>		<p>MATERIAL:  SEE INDIVIDUAL</p>			
	<p>DRAWN BY: YIFEI WANG 20230510</p> <p>APP. BY: YIFEI WANG 20230510</p>		<p>FINISH: N/A</p> <p>CLASS: <b>N/A B</b></p>		<p>SIZE: <b>N/A B</b></p> <p>DRAWING NO: E103300-35B</p>		<p>REV NO: <b>A</b></p>	
	<p>UNITS: mm [in]</p>		<p>INTERPRET TO ASME Y14.100</p>		<p>DEBURR AND BREAK SHARP EDGES/CONTOURS AT 0.2mm MAX</p>		<p>SCALE: 1:2</p> <p>WEIGHT:</p> <p>SHEET: 1 OF 3</p>	

NOTES:



PROPRIETARY AND CONFIDENTIAL

This drawing and its specifications are the property of ENCONNEX and shall not be copied, reproduced, or used in whole or in part, as the basis for the manufacture or sale of items without written permission from ENCONNEX. This drawing is based upon the latest available information and is subject to change without notice.



UNITS: mm [in]

UNLESS OTHERWISE SPECIFIED

- X = ± 1
- X.X = ± 0.5
- X.XX = ± 0.30
- X.XXX = ± 0.130
- ANGULAR
- X = 1°
- .X = 0.5°
- .XX = 0.25°

COMMENTS:

	NAME	DATE
DRAWN BY	YIFEI WANG	20230510
APP. BY	YIFEI WANG	20230510

INTERPRET TO ASME Y14.100



4670 AIRCENTER CIRCLE  
RENO, NV 89502

MATERIAL:  
SEE INDIVIDUAL

FINISH: N/A

CLASS: N/A B

DEBURR AND BREAK SHARP EDGES/CONTOURS AT 0.2mm MAX

DESCRIPTION:

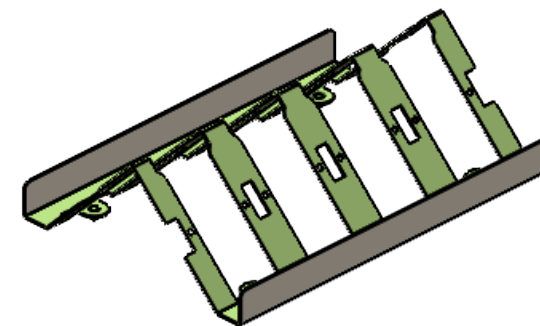
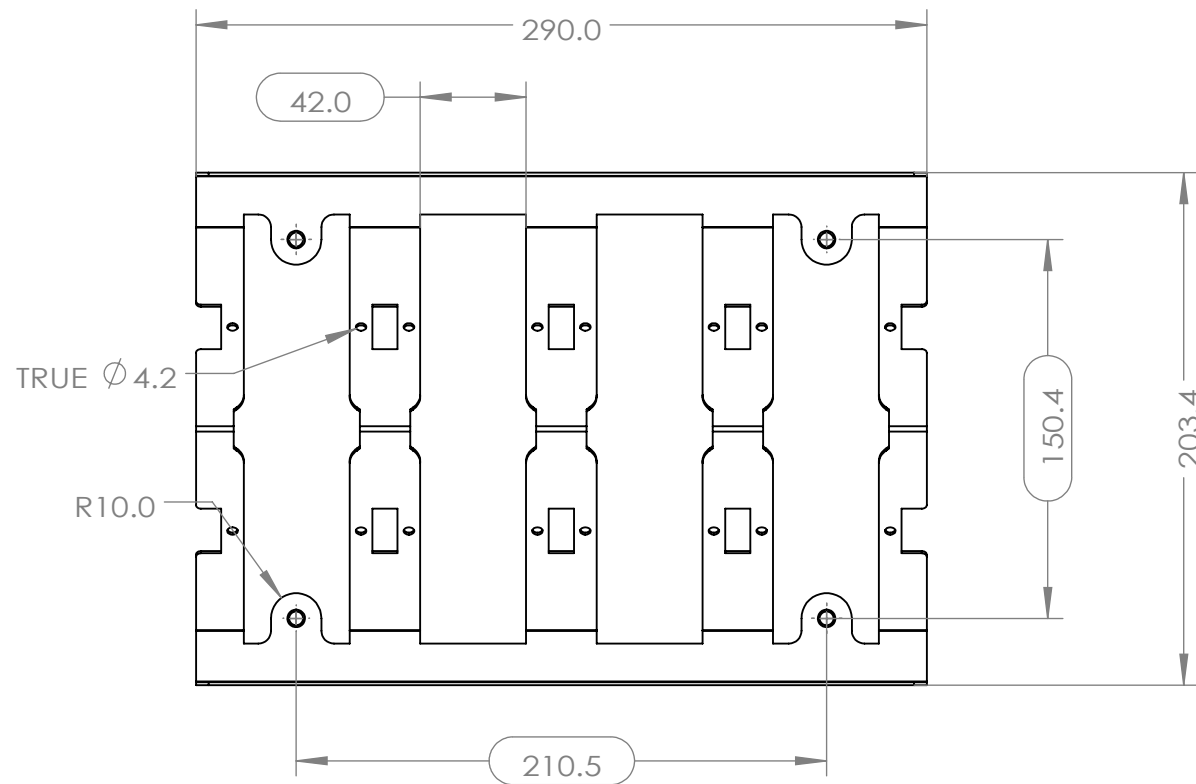
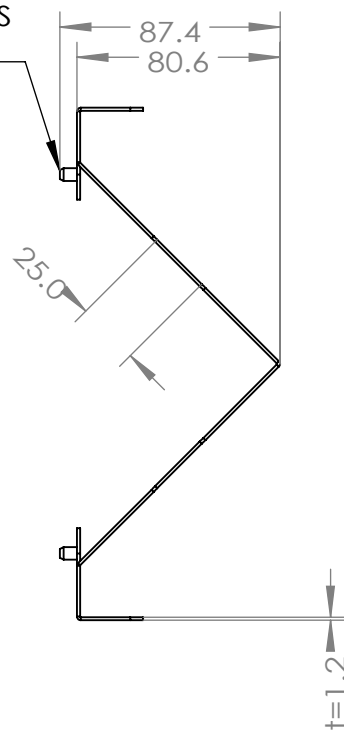
FINAL ASSY, 4 POSITION  
MAC MINI HOLDER ASSY

SIZE: N/A B  
DRAWING NO: E103300-35B  
REV NO: A

SCALE: 1:2 WEIGHT: SHEET: 2 OF 3

NOTES:

TPS-5-8  
5\*8 CAPTIVE PINS, SUS  
4 PLACES



<p><b>PROPRIETARY AND CONFIDENTIAL</b></p> <p>This drawing and its specifications are the property of ENCONNEX and shall not be copied, reproduced, or used in whole or in part, as the basis for the manufacture or sale of items without written permission from ENCONNEX. This drawing is based upon the latest available information and is subject to change without notice.</p>	<p>UNLESS OTHERWISE SPECIFIED</p> <p>X = ± 1 X.X = ± 0.5 X.XX = ± 0.30 X.XXX = ± 0.130 ANGULAR X = 1° .X = 0.5° .XX = 0.25°</p>				<p>DESCRIPTION: FINAL ASSY, 4 POSITION MAC MINI HOLDER ASSY</p>		
	<p>COMMENTS:</p>		<p>4670 AIRCENTER CIRCLE RENO, NV 89502</p>		<p>MATERIAL: 1.2MM SPCC</p>		
	<p>DRAWN BY: YIFEI WANG 20230510</p> <p>APP. BY: YIFEI WANG 20230510</p>		<p>FINISH: BLACK, RAL9005</p> <p>CLASS: <b>A</b></p>		<p>SIZE: <b>B</b></p>	<p>DRAWING NO: 1M2-Y335</p>	<p>REV NO: <b>A</b></p>
	<p>UNITS: mm [in]</p>		<p>INTERPRET TO ASME Y14.100</p>		<p>SCALE: 1:3</p>	<p>WEIGHT:</p>	<p>SHEET: 3 OF 3</p>