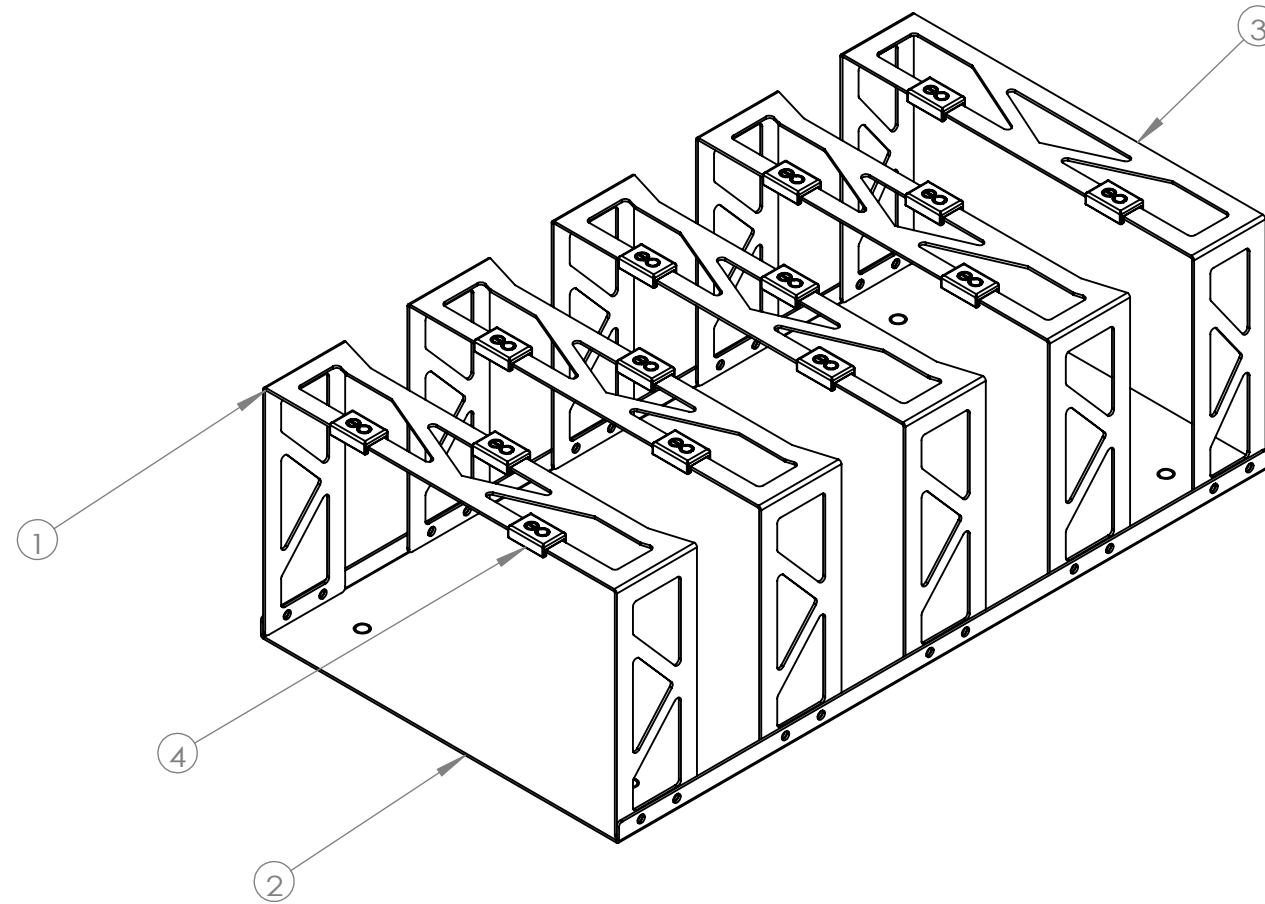




NOTES:

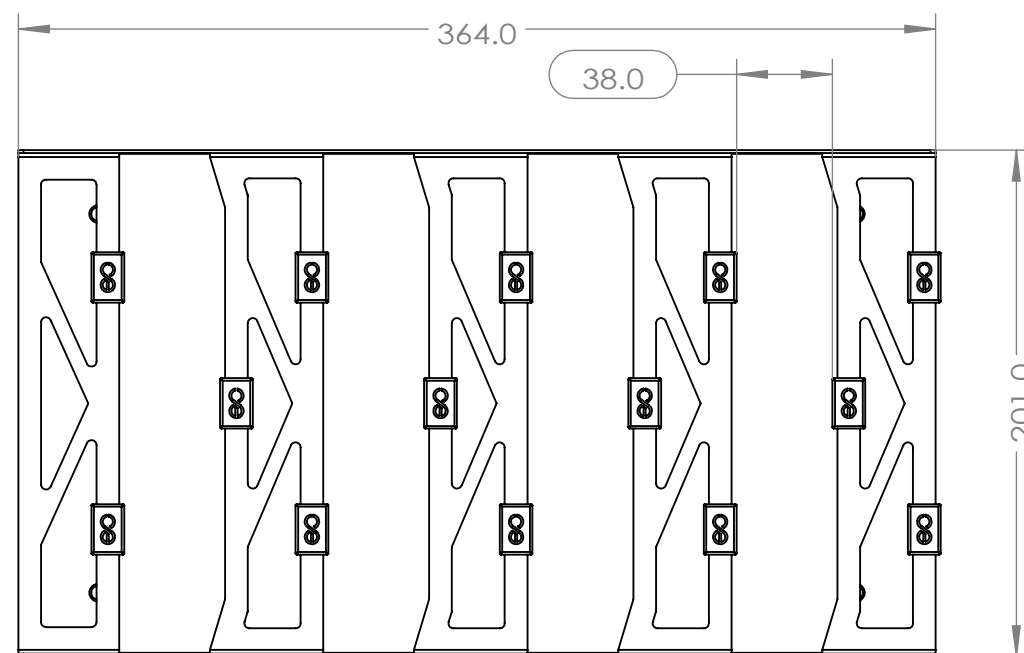
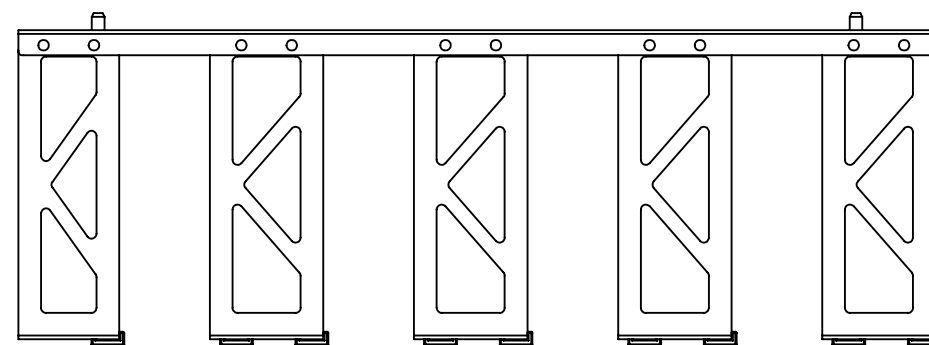
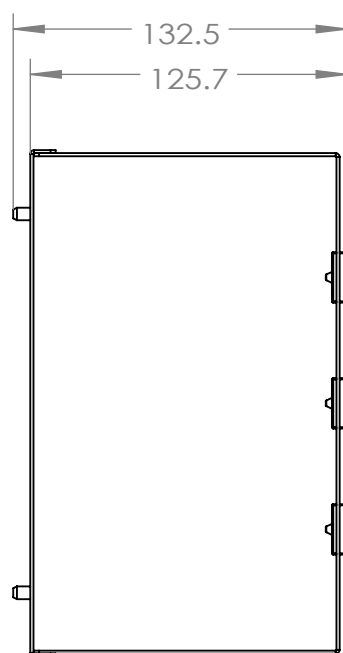
REVISIONS			
REV.	DESCRIPTION	DATE	APPROVED
A	FULL RELEASED	20230510	CT



ITEM NO.	PART NUMBER	DESCRIPTION	QTY.
1	1M2-Y332	MANUFAC, SUB, PROCESS, COAT, 4 POSITION MAC MINI HOLDER PART	4
2	1M2-Y333	MANUFAC, SUB, PROCESS, COAT, 4 POSITION MAC MINI HOLDER PART	1
3	1M2-Y334	MANUFAC, SUB, PROCESS, COAT, 4 POSITION MAC MINI HOLDER PART	1
4	1Q6-Y331	MANUFAC, SUB, INJC, RUBBER BLOCK FOR BRACKT	14

<p>PROPRIETARY AND CONFIDENTIAL</p> <p>This drawing and its specifications are the property of ENCONNEX and shall not be copied, reproduced, or used in whole or in part, as the basis for the manufacture or sale of items without written permission from ENCONNEX. This drawing is based upon the latest available information and is subject to change without notice.</p>	<p>UNLESS OTHERWISE SPECIFIED</p> <p>X = ± 1 X.X = ± 0.5 X.XX = ± 0.30 X.XXX = ± 0.130</p> <p>ANGULAR X = 1° .X = 0.5° .XX = 0.25°</p>		 <p>4670 AIRCENTER CIRCLE RENO, NV 89502</p>		<p>DESCRIPTION: FINAL ASSY, 4 POSITION MAC MINI HOLDER ASSY</p>		
	<p>COMMENTS:</p>		<p>MATERIAL: SEE INDIVIDUAL</p>		<p>FINISH: N/A CLASS: N/A B SIZE: DRAWING NO: E103300-32B REV NO: A</p>		
	 <p>UNITS: mm [in]</p>		<p>DEBURR AND BREAK SHARP EDGES/CONTOURS AT 0.2mm MAX</p>		<p>SCALE: 1:3 WEIGHT: SHEET: 1 OF 5</p>		
	<p>INTERPRET TO ASME Y14.100</p>		<p>APP. BY: YIFEI WANG 20230510</p>		<p>DATE: 20230510</p>		

NOTES:



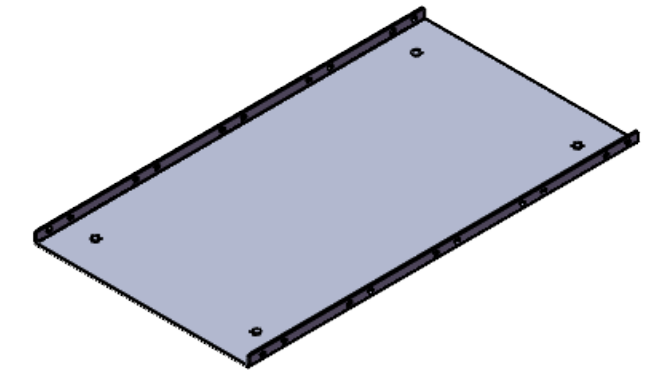
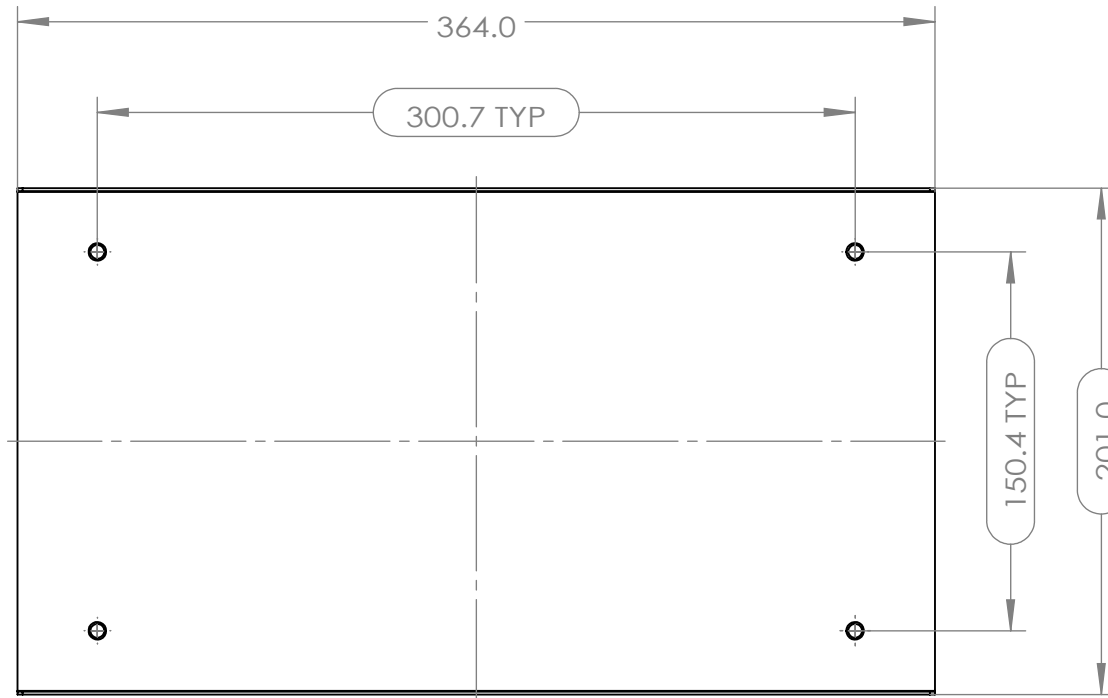
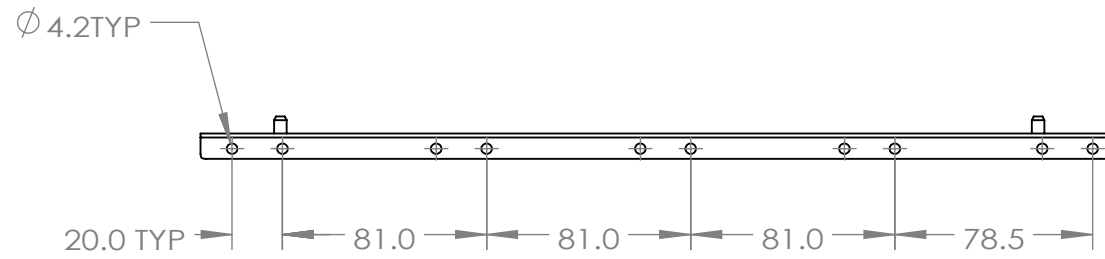
<p>PROPRIETARY AND CONFIDENTIAL</p> <p>This drawing and its specifications are the property of ENCONNEX and shall not be copied, reproduced, or used in whole or in part, as the basis for the manufacture or sale of items without written permission from ENCONNEX. This drawing is based upon the latest available information and is subject to change without notice.</p>	<p>UNLESS OTHERWISE SPECIFIED</p> <p>X = ± 1 X.X = ± 0.5 X.XX = ± 0.30 X.XXX = ± 0.130 ANGULAR X = 1° .X = 0.5° .XX = 0.25°</p>				<p>DESCRIPTION:</p> <p>FINAL ASSY, 4 POSITION MAC MINI HOLDER ASSY</p>		
	<p>COMMENTS:</p>		<p>4670 AIRCENTER CIRCLE RENO, NV 89502</p>		<p>MATERIAL: SEE INDIVIDUAL</p>		
	<p>DRAWN BY: YIFEI WANG 20230510</p> <p>APP. BY: YIFEI WANG 20230510</p>		<p>FINISH: N/A</p> <p>CLASS: N/A B</p>		<p>SIZE: N/A B</p> <p>DRAWING NO: E103300-32B</p>		<p>REV NO: A</p>
	<p>UNITS: mm [in]</p>		<p>INTERPRET TO ASME Y14.100</p>		<p>DEBURR AND BREAK SHARP EDGES/CONTOURS AT 0.2mm MAX</p>		<p>SCALE: 1:3</p> <p>WEIGHT:</p> <p>SHEET: 2 OF 5</p>

NOTES:

TPS-5-8
5*8 CAPTIVE PINS, SUS
4 PLACES

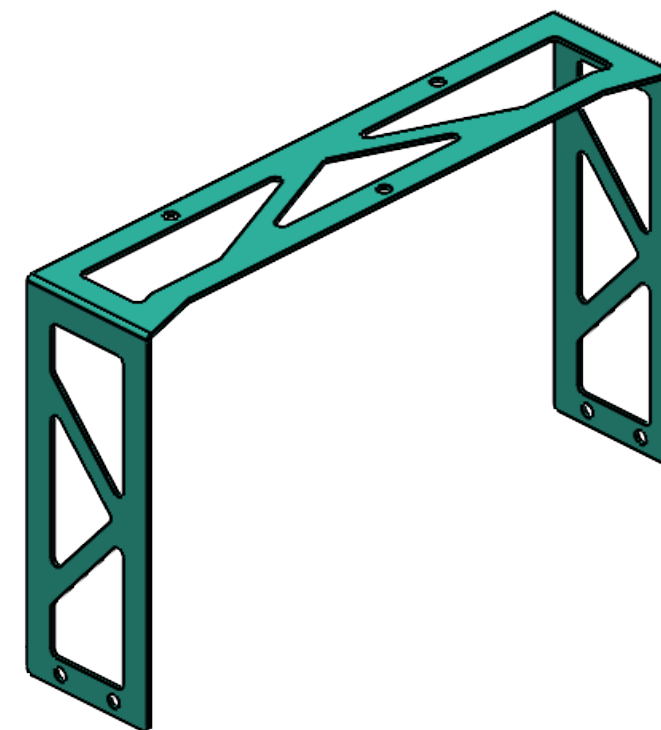
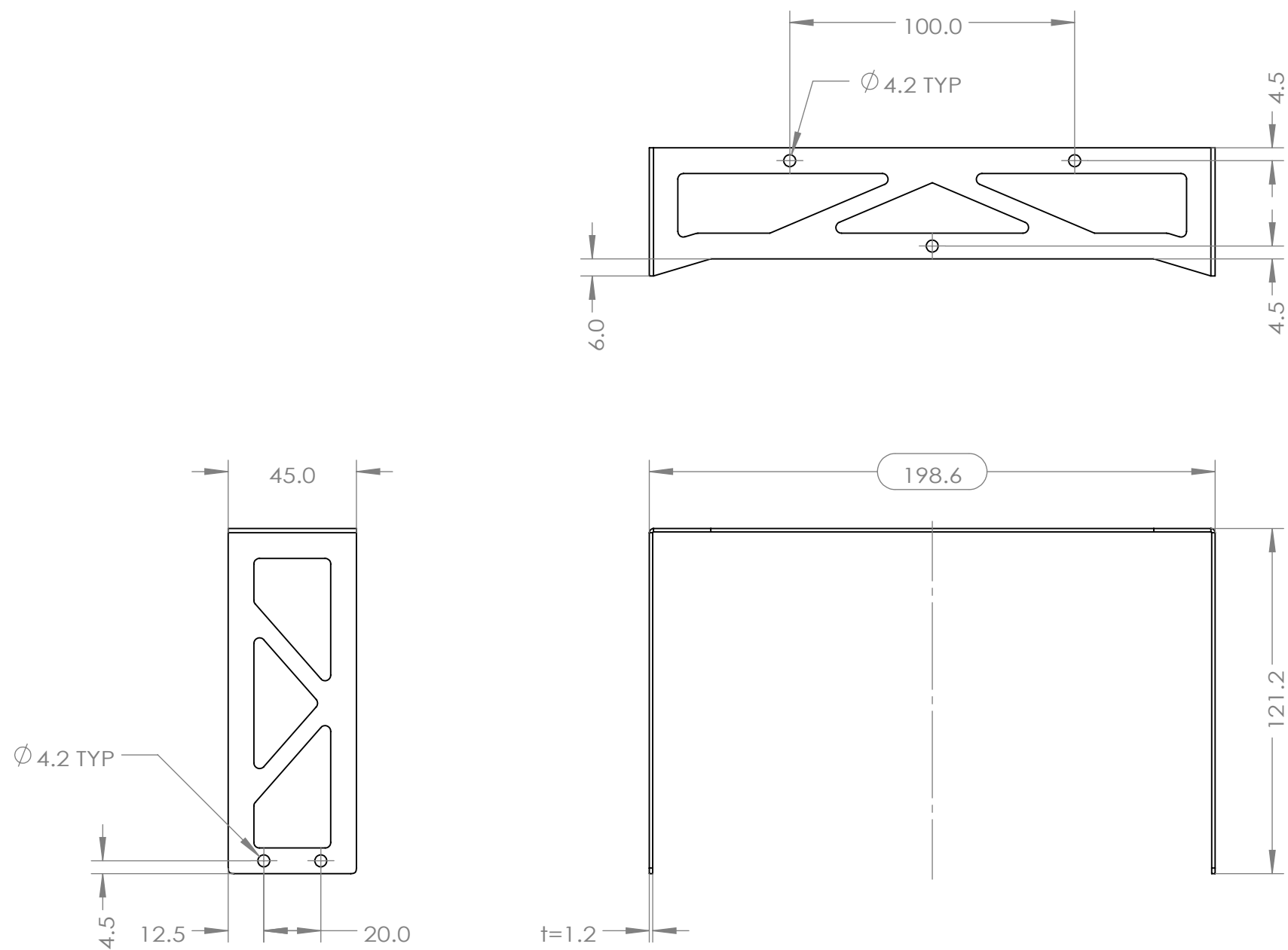
16.8
10.0

t=1.2



<p>PROPRIETARY AND CONFIDENTIAL</p> <p>This drawing and its specifications are the property of ENCONNEX and shall not be copied, reproduced, or used in whole or in part, as the basis for the manufacture or sale of items without written permission from ENCONNEX. This drawing is based upon the latest available information and is subject to change without notice.</p>	<p>UNLESS OTHERWISE SPECIFIED</p> <p>X = ± 1 X.X = ± 0.5 X.XX = ± 0.30 X.XXX = ± 0.130 ANGULAR X = 1° .X = 0.5° .XX = 0.25°</p>		<p>4670 AIRCENTER CIRCLE RENO, NV 89502</p>	<p>DESCRIPTION:</p> <p>FINAL ASSY, 4 POSITION MAC MINI HOLDER ASSY</p>			
	<p>COMMENTS:</p>			<p>MATERIAL:</p> <p>1.2MM SPCC</p>	<p>SIZE:</p> <p>B</p>	<p>DRAWING NO:</p> <p>1M2-Y333</p>	<p>REV NO:</p> <p>A</p>
		<p>NAME</p> <p>YIFEI WANG</p>	<p>DATE</p> <p>20230510</p>	<p>FINISH:</p> <p>BLACK, RAL9005</p>	<p>CLASS:</p> <p>A</p>	<p>SCALE:</p> <p>1:3</p>	<p>WEIGHT:</p>
	<p>UNITS: mm [in]</p>		<p>INTERPRET TO ASME Y14.100</p>	<p>DEBURR AND BREAK SHARP EDGES/CONTOURS AT 0.2mm MAX</p>	<p>SHEET: 3 OF 5</p>		

NOTES:



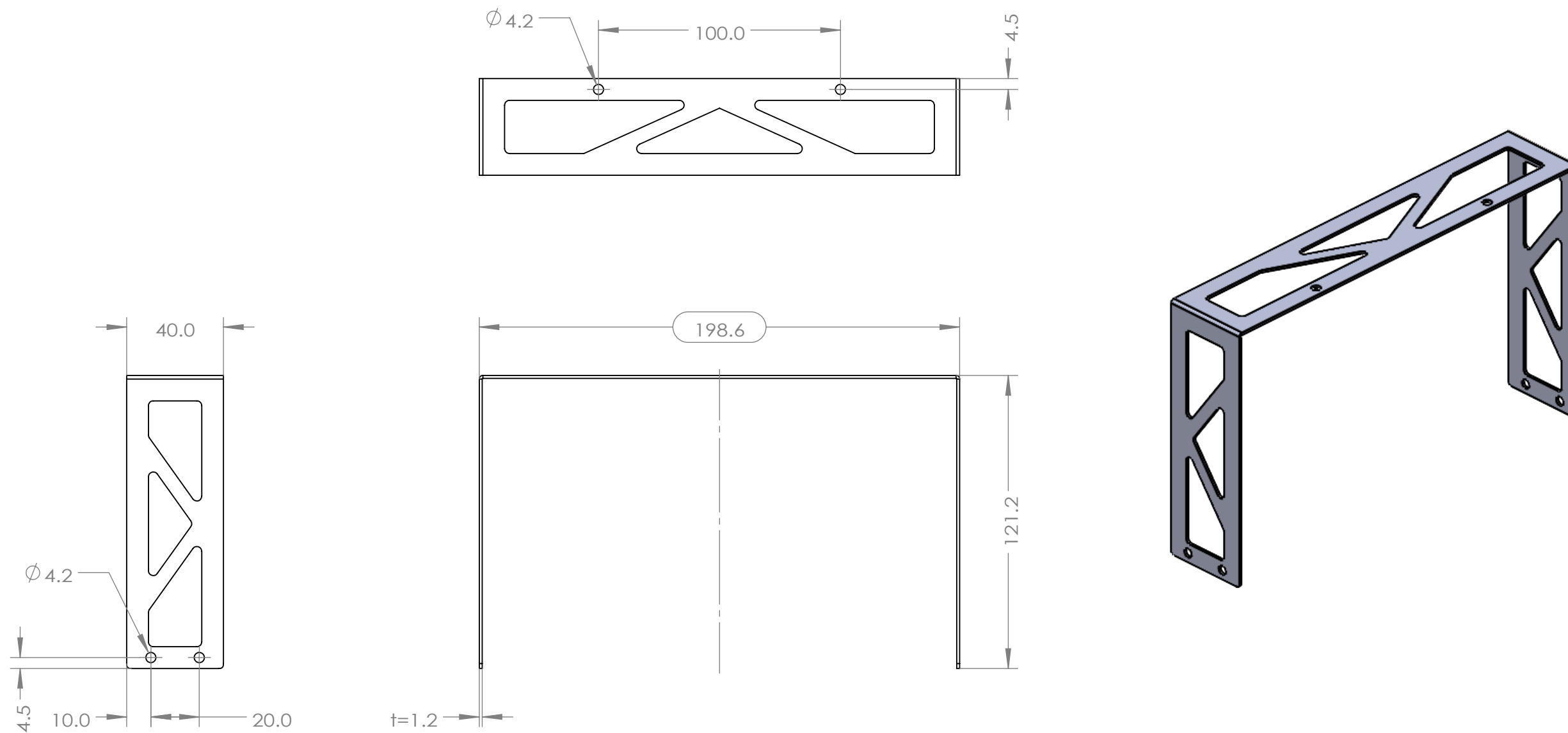
<p>PROPRIETARY AND CONFIDENTIAL</p> <p>This drawing and its specifications are the property of ENCONNEX and shall not be copied, reproduced, or used in whole or in part, as the basis for the manufacture or sale of items without written permission from ENCONNEX. This drawing is based upon the latest available information and is subject to change without notice.</p>	<p>UNLESS OTHERWISE SPECIFIED</p> <p>X = ± 1 X.X = ± 0.5 X.XX = ± 0.30 X.XXX = ± 0.130 ANGULAR X = 1° .X = 0.5° .XX = 0.25°</p>			<p>DESCRIPTION:</p> <p>FINAL ASSY, 4 POSITION MAC MINI HOLDER ASSY</p>		
	<p>COMMENTS:</p>			<p>4670 AIRCENTER CIRCLE RENO, NV 89502</p>		<p>SIZE: B</p>
	<p>FINISH: BLACK, RAL9005</p>		<p>MATERIAL: 1.2MM SPCC</p>		<p>DRAWING NO: 1M2-Y332</p>	
	<p>CLASS: A</p>		<p>REVISION:</p> <p>A</p>	<p>SCALE: 1:2</p>	<p>WEIGHT:</p>	<p>SHEET: 4 OF 5</p>

UNITS: mm [in]

INTERPRET TO ASME Y14.100

DEBURR AND BREAK SHARP EDGES/CONTOURS AT 0.2mm MAX

NOTES:



<p>PROPRIETARY AND CONFIDENTIAL</p> <p>This drawing and its specifications are the property of ENCONNEX and shall not be copied, reproduced, or used in whole or in part, as the basis for the manufacture or sale of items without written permission from ENCONNEX. This drawing is based upon the latest available information and is subject to change without notice.</p>	<p>UNLESS OTHERWISE SPECIFIED</p> <p>X = ± 1 X.X = ± 0.5 X.XX = ± 0.30 X.XXX = ± 0.130 ANGULAR X = 1° .X = 0.5° .XX = 0.25°</p>		<p>4670 AIRCENTER CIRCLE RENO, NV 89502</p>	<p>DESCRIPTION:</p> <p>FINAL ASSY, 4 POSITION MAC MINI HOLDER ASSY</p>			
	<p>COMMENTS:</p>			<p>MATERIAL:</p> <p>1.2MM SPCC</p>	<p>SIZE:</p> <p>B</p>	<p>DRAWING NO:</p> <p>1M2-Y334</p>	<p>REV NO:</p> <p>A</p>
	<p>DRAWN BY: YIFEI WANG 20230510</p>	<p>APP. BY: YIFEI WANG 20230510</p>	<p>FINISH: BLACK, RAL9005</p>	<p>CLASS:</p> <p>A</p>	<p>SCALE: 1:2</p>	<p>WEIGHT:</p>	<p>SHEET: 5 OF 5</p>
	<p>UNITS: mm [in]</p>		<p>INTERPRET TO ASME Y14.100</p>		<p>DEBURR AND BREAK SHARP EDGES/CONTOURS AT 0.2mm MAX</p>		