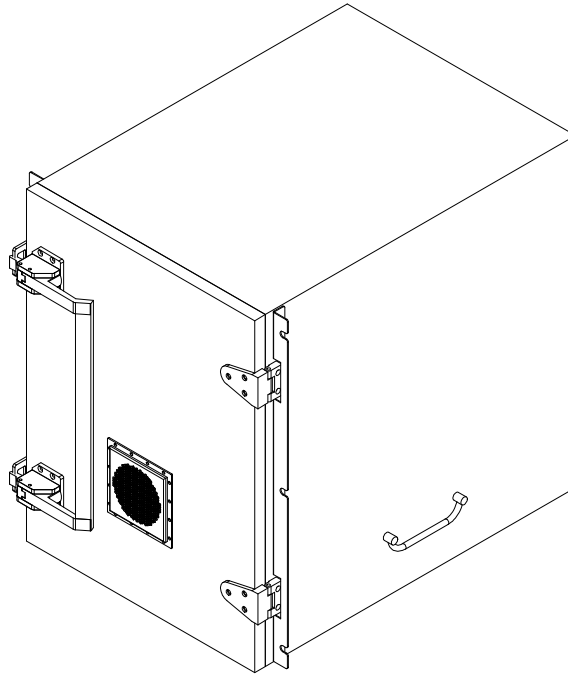
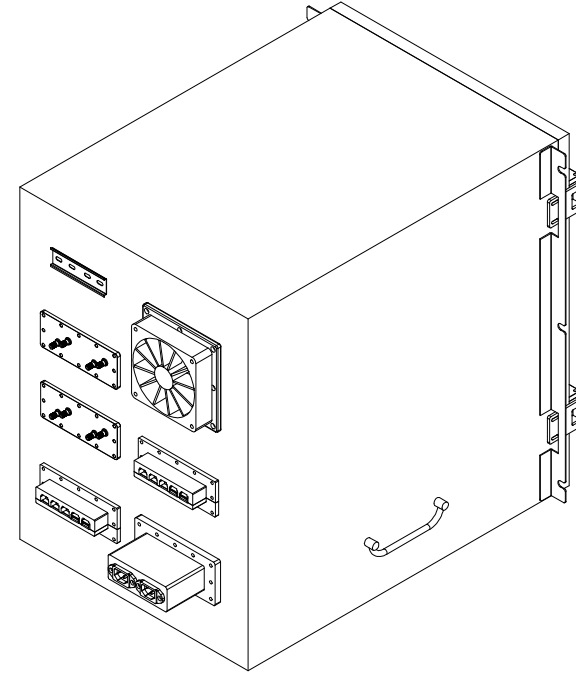


THIS DRAWING AND SPECIFICATIONS HEREIN ARE THE PROPERTY OF ENCONNEX LLC. AND SHALL NOT BE COPIED, REPRODUCED OR USED IN WHOLE OR IN PART, AS THE BASIS FOR THE MANUFACTURE OR SALE OF ITEMS WITHOUT THE WRITTEN PERMISSION OF ENCONNEX LLC. THIS DRAWING IS SUBJECT TO CHANGE WITHOUT NOTICE.


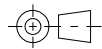
REVISIONS			
REV.	DESCRIPTION	DATE	APPROVED
1	Submit for approval	2022/4/20	FANCY FAN



Front view



Rear view

UNLESS NOTED, DIMENSIONS IN MILLIMETERS & TOLERANCES ARE: X, ±1 MM    X° ±1° X.X ±0.5 MM    X.X° ±0.5° X.XX ±0.20 MM ØX.X ±0.3 MM ØX.XX ±0.10 MM	 4670 AIRCENTER CIRCLE, RENO, NV89502	PRODUCT LINE: RF Cabinet	
		PART NUMBER: ECX-RFC-416957-F1301	
 THIRD ANGLE PROJECTION	DRAWING FILE NAME ECX-RFC-416957-F1301	ENGINEER: Yifei Wang	ORG DATE: 2022/4/20
	3D MODEL FILE NAME ECX-RFC-416957-F1301	DRAWN: Yifei Wang	REV DATE: 2022/4/20
	3D MODEL CONFIGURATION	ITEM WEIGHT (REFERENCE ONLY)	
UNITS:MM[IN]	INTERPRET TO ASME Y14.100	SIZE: B	SCALE:1:10
DO NOT SCALE DRAWING		SHEET:1/4	

PRODUCT LINE:  
RF Cabinet

PART NUMBER:  
ECX-RFC-416957-F1301

DESCRIPTION:  
13U RF Cabinet

DRAWING FILE NAME  
ECX-RFC-416957-F1301

ENGINEER:  
Yifei Wang

ORG DATE:  
2022/4/20

3D MODEL FILE NAME  
ECX-RFC-416957-F1301

DRAWN:  
Yifei Wang

REV DATE:  
2022/4/20

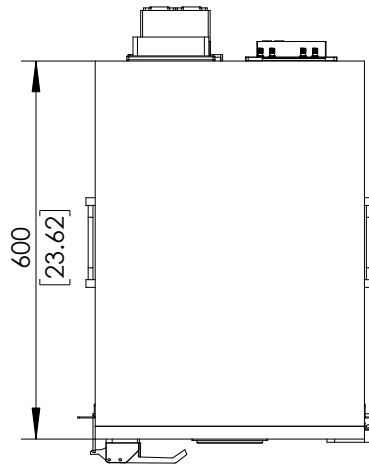
3D MODEL CONFIGURATION

ITEM WEIGHT (REFERENCE ONLY)

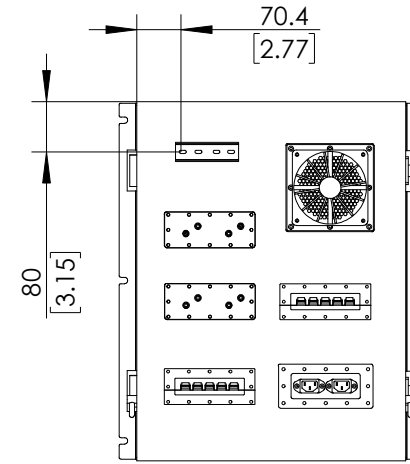
REV: 1

UNITS:MM[IN]    INTERPRET TO ASME Y14.100    SIZE: B    SCALE:1:10    DO NOT SCALE DRAWING    SHEET:1/4

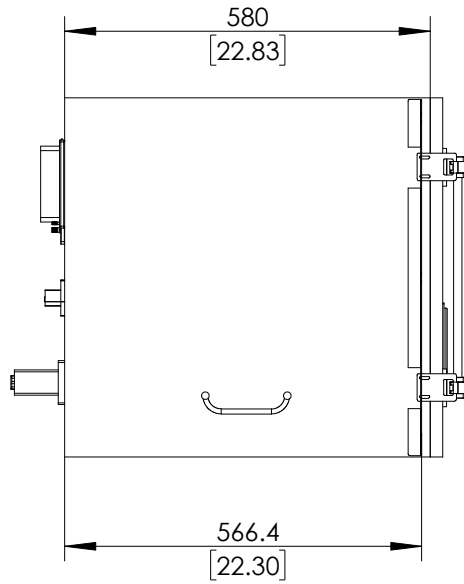
THIS DRAWING AND SPECIFICATIONS HEREIN ARE THE PROPERTY OF ENCONNEX LLC. AND SHALL NOT BE COPIED, REPRODUCED OR USED IN WHOLE OR IN PART, AS THE BASIS FOR THE MANUFACTURE OR SALE OF ITEMS WITHOUT THE WRITTEN PERMISSION OF ENCONNEX LLC. THIS DRAWING IS SUBJECT TO CHANGE WITHOUT NOTICE.



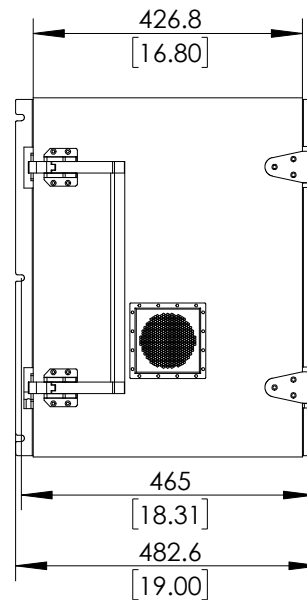
Top view



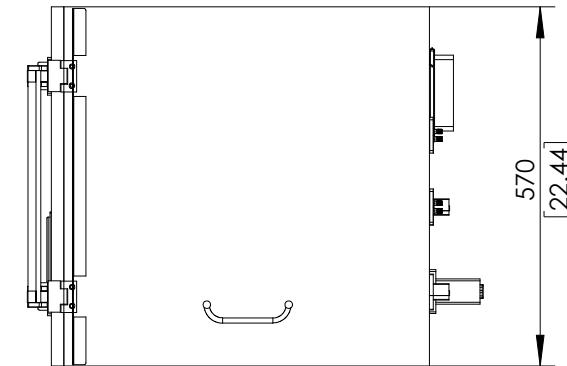
Rear view




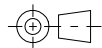
Side view



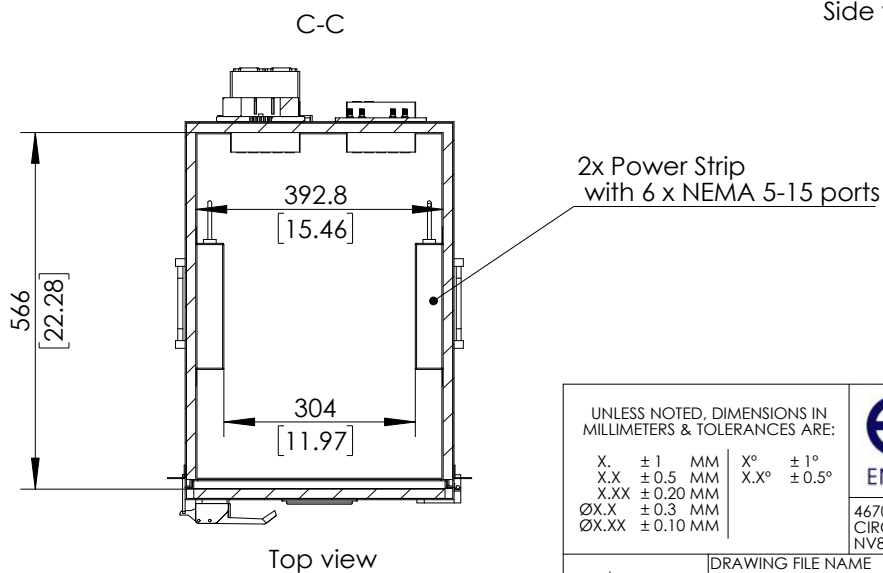
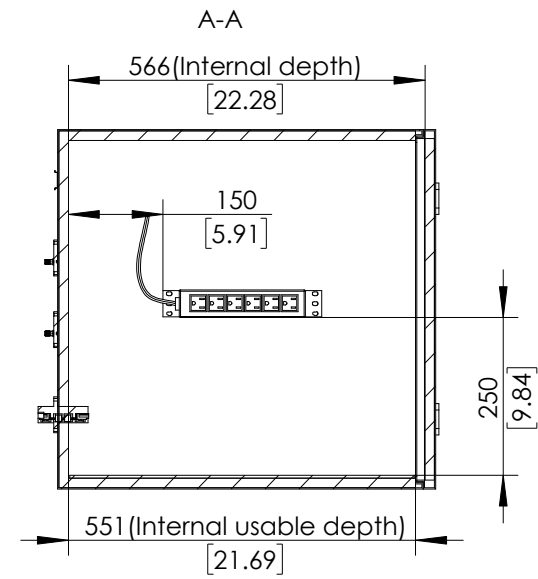
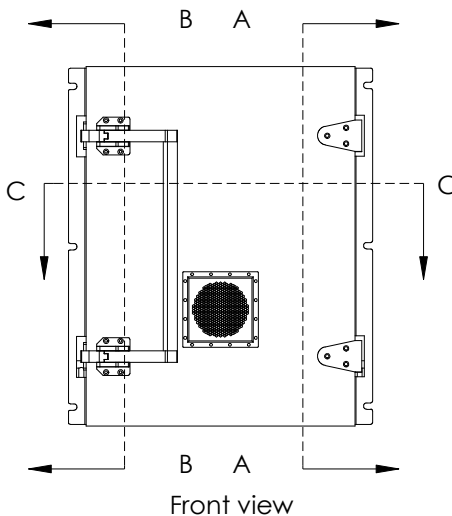
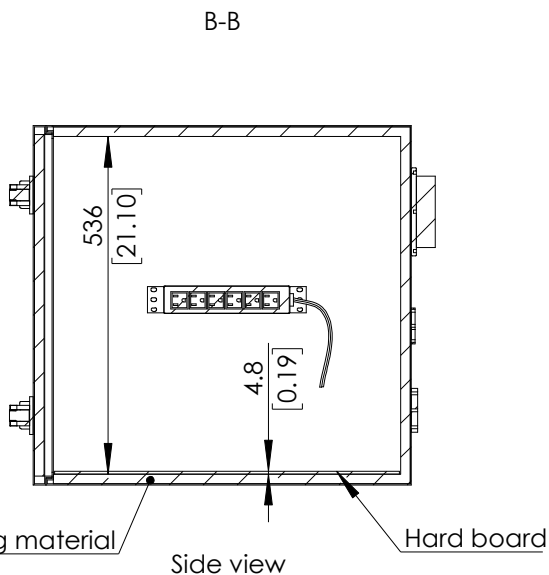
Front view


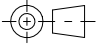


Side view

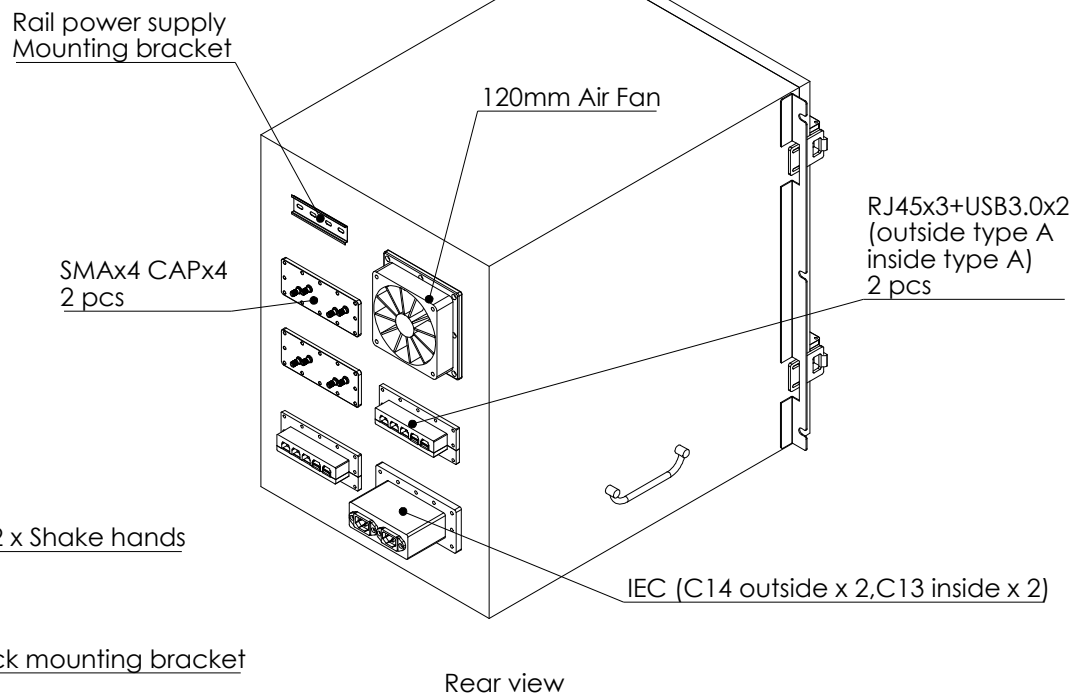
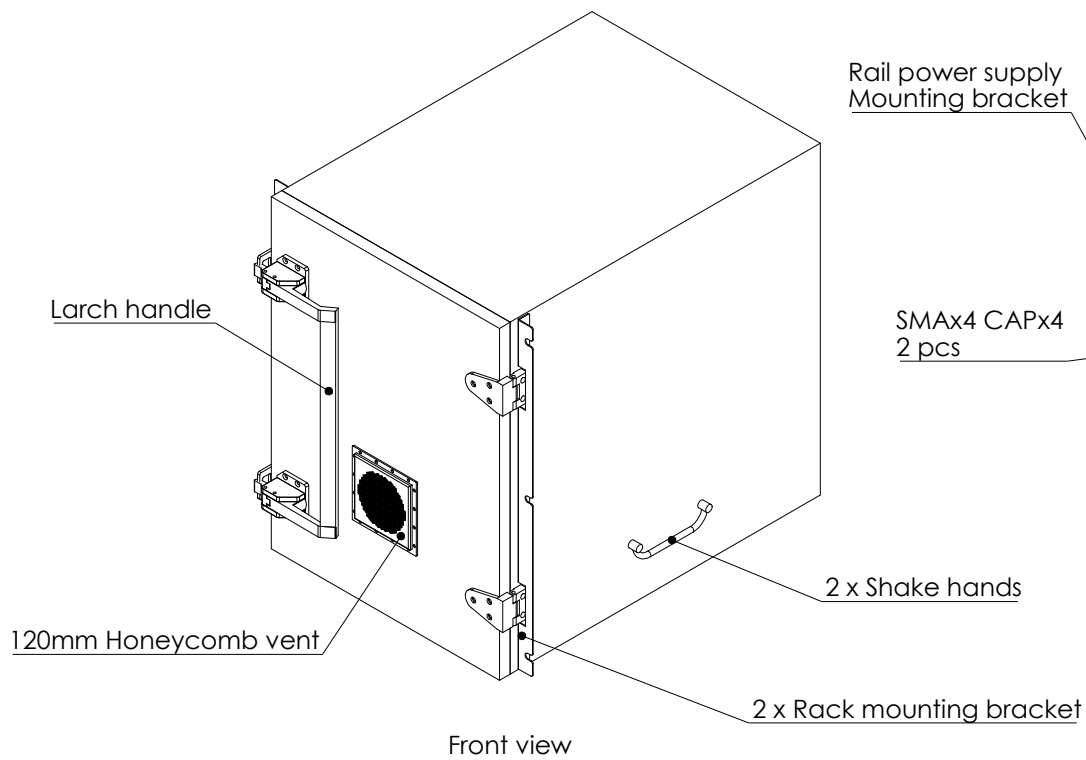
UNLESS NOTED, DIMENSIONS IN MILLIMETERS & TOLERANCES ARE:			PRODUCT LINE: RF Cabinet			
X. ± 1 MM	X° ± 1°		PART NUMBER: ECX-RFC-416957-F1301			
X.X ± 0.5 MM	X.X° ± 0.5°	4670 AIRCENTER CIRCLE, RENO, NV89502		DESCRIPTION: 13U RF Cabinet		
X.XX ± 0.20 MM			DRAWING FILE NAME ECX-RFC-416957-F1301	ENGINEER: Yifei Wang	ORG DATE: 2022/4/20	
ØX.X ± 0.3 MM			3D MODEL FILE NAME ECX-RFC-416957-F1301	DRAWN: Yifei Wang		REV DATE: 2022/4/20
ØX.XX ± 0.10 MM		3D MODEL CONFIGURATION	ITEM WEIGHT (REFERENCE ONLY)		REV: 1	
UNITS:MM[IN]		INTERPRET TO ASME Y14.100	SIZE: B	SCALE:1:12	DO NOT SCALE DRAWING	SHEET:2/4


THIS DRAWING AND SPECIFICATIONS HEREIN ARE THE PROPERTY OF ENCONNEX LLC. AND SHALL NOT BE COPIED, REPRODUCED OR USED IN WHOLE OR IN PART, AS THE BASIS FOR THE MANUFACTURE OR SALE OF ITEMS WITHOUT THE WRITTEN PERMISSION OF ENCONNEX LLC. THIS DRAWING IS SUBJECT TO CHANGE WITHOUT NOTICE.



UNLESS NOTED, DIMENSIONS IN MILLIMETERS & TOLERANCES ARE:		 <b>ENCONNEX</b> 4670 AIRCENTER CIRCLE, RENO, NV89502	PRODUCT LINE: RF Cabinet
X. ± 1 MM	X° ± 1°		PART NUMBER: ECX-RFC-416957-F1301
X.X ± 0.5 MM	X.X° ± 0.5°	DESCRIPTION: 13U RF Cabinet	ENGINEER: Yifei Wang
X.XX ± 0.20 MM			DRAWN: Yifei Wang
ØX.X ± 0.3 MM			ORG DATE: 2022/4/20
ØX.XX ± 0.10 MM			REV DATE: 2022/4/20
 THIRD ANGLE PROJECTION	DRAWING FILE NAME ECX-RFC-416957-F1301	ITEM WEIGHT (REFERENCE ONLY)	
	3D MODEL FILE NAME ECX-RFC-416957-F1301	REV: 1	
3D MODEL CONFIGURATION	UNITS:MM[IN]	INTERPRET TO ASME Y14.100	SIZE: B
	SCALE:1:12	DO NOT SCALE DRAWING	SHEET:3/4

THIS DRAWING AND SPECIFICATIONS HEREIN ARE THE PROPERTY OF ENCONNEX LLC. AND SHALL NOT BE COPIED, REPRODUCED OR USED IN WHOLE OR IN PART, AS THE BASIS FOR THE MANUFACTURE OR SALE OF ITEMS WITHOUT THE WRITTEN PERMISSION OF ENCONNEX LLC. THIS DRAWING IS SUBJECT TO CHANGE WITHOUT NOTICE.



UNLESS NOTED, DIMENSIONS IN MILLIMETERS & TOLERANCES ARE:		 <b>ENCONNEX</b>	PRODUCT LINE: RF Cabinet	
X, ±1 MM	X° ±1°		PART NUMBER: ECX-RFC-416957-F1301	
X.X ±0.5 MM	X.X° ±0.5°	4670 AIRCENTER CIRCLE, RENO, NV89502	DESCRIPTION: 13U RF Cabinet	
X.XX ±0.20 MM			ENGINEER: Yifei Wang	
ØX.X ±0.3 MM		DRAWING FILE NAME ECX-RFC-416957-F1301		ORG DATE: 2022/4/20
ØX.XX ±0.10 MM		3D MODEL FILE NAME ECX-RFC-416957-F1301		REV DATE: 2022/4/20
		3D MODEL CONFIGURATION		REV: 1
		ITEM WEIGHT (REFERENCE ONLY)		
UNITS:MM[IN]	INTERPRET TO ASME Y14.100	SIZE: B	SCALE:1:15	DO NOT SCALE DRAWING
				SHEET:4/4