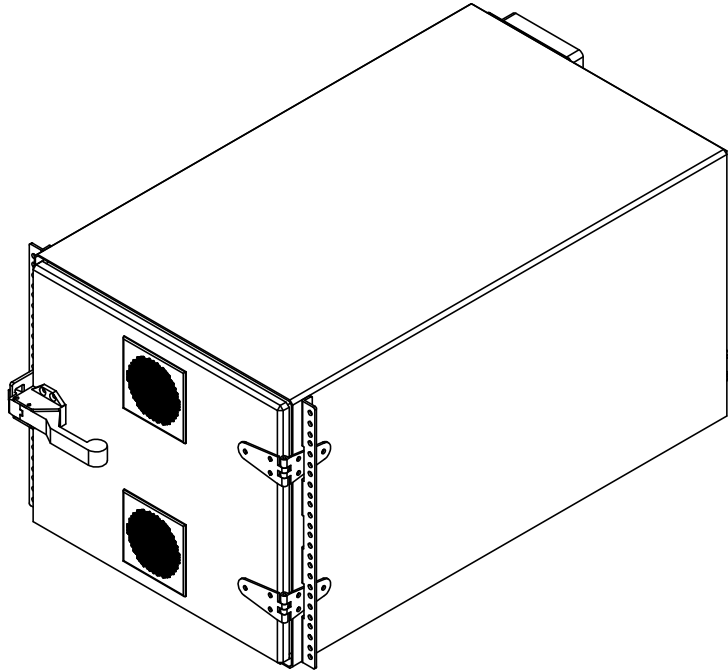
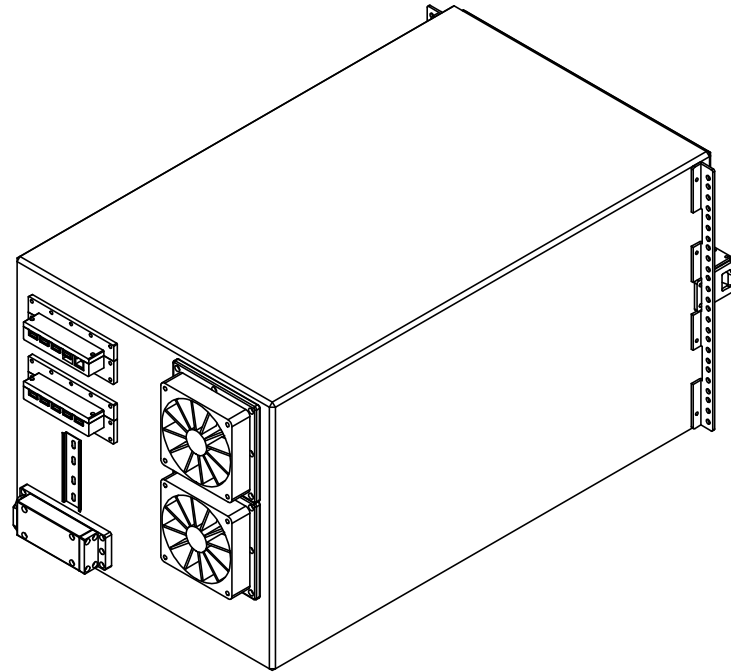


THIS DRAWING AND SPECIFICATIONS HEREIN ARE THE PROPERTY OF ENCONNEX LLC. AND SHALL NOT BE COPIED, REPRODUCED OR USED IN WHOLE OR IN PART, AS THE BASIS FOR THE MANUFACTURE OR SALE OF ITEMS WITHOUT THE WRITTEN PERMISSION OF ENCONNEX LLC. THIS DRAWING IS SUBJECT TO CHANGE WITHOUT NOTICE.


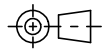
REVISIONS			
REV.	DESCRIPTION	DATE	APPROVED
1	Submit for approval	2022/3/4	FANCY FAN



FRONT VIEW



REAR VIEW

UNLESS NOTED, DIMENSIONS IN MILLIMETERS & TOLERANCES ARE: X. ±1 MM X° ±1° X.X ±0.5 MM X.X° ±0.5° X.XX ±0.20 MM ØX.X ±0.3 MM ØX.XX ±0.10 MM	 4670 AIRCENTER CIRCLE, RENO, NV89502	PRODUCT LINE: RF Cabinet			
		PART NUMBER: ECX-RFC-172915-F901			
		DESCRIPTION: 9U RF Cabinet			
 THIRD ANGLE PROJECTION	DRAWING FILE NAME	ENGINEER: Carson	ORG DATE: 2022/3/4		
	3D MODEL FILE NAME	DRAWN: Yifei Wang	REV DATE: 2022/3/4		
	3D MODEL CONFIGURATION	ITEM WEIGHT (REFERENCE ONLY)			
UNITS:MM[IN]	INTERPRET TO ASME Y14.100	SIZE: B	SCALE:1:9	DO NOT SCALE DRAWING	SHEET:1/4

F
E
D
C
B
A

F
E
D
C
B
A

8

7

6

5

4

3

2

1

8

7

6

5

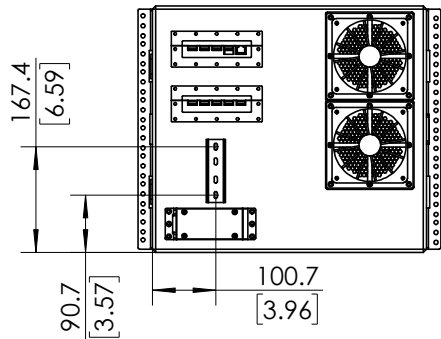
4

3

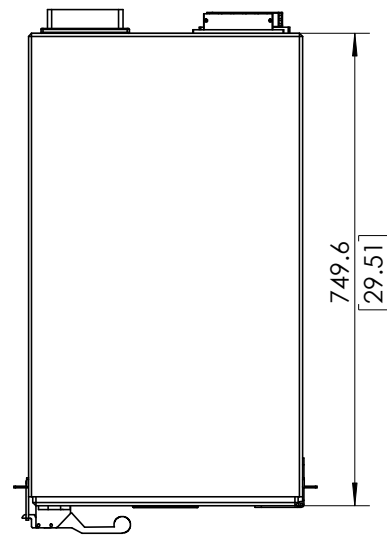
2

1

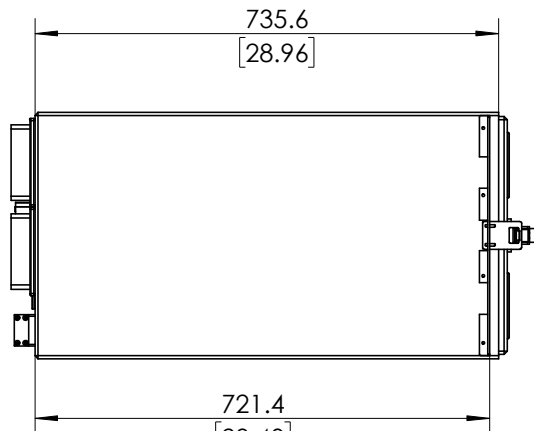
THIS DRAWING AND SPECIFICATIONS HEREIN ARE THE PROPERTY OF ENCONNEX LLC. AND SHALL NOT BE COPIED, REPRODUCED OR USED IN WHOLE OR IN PART, AS THE BASIS FOR THE MANUFACTURE OR SALE OF ITEMS WITHOUT THE WRITTEN PERMISSION OF ENCONNEX LLC. THIS DRAWING IS SUBJECT TO CHANGE WITHOUT NOTICE.



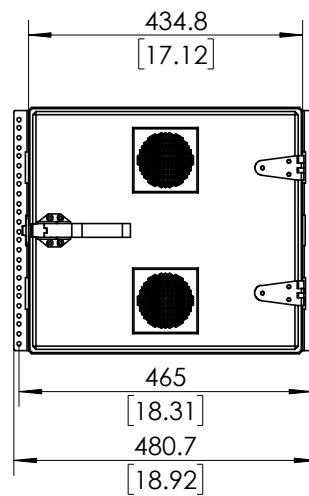
REAR VIEW



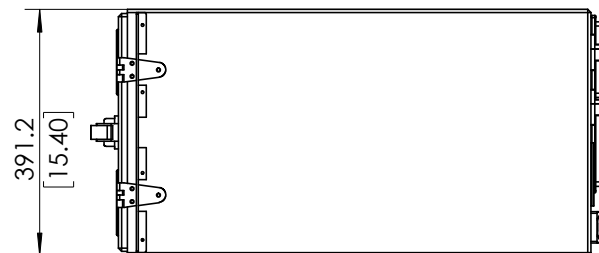
TOP VIEW




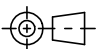
SIDE VIEW



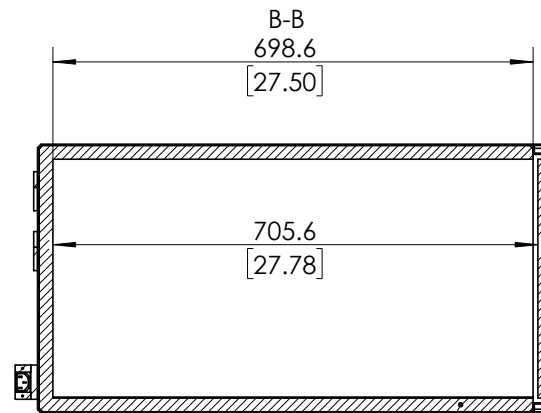
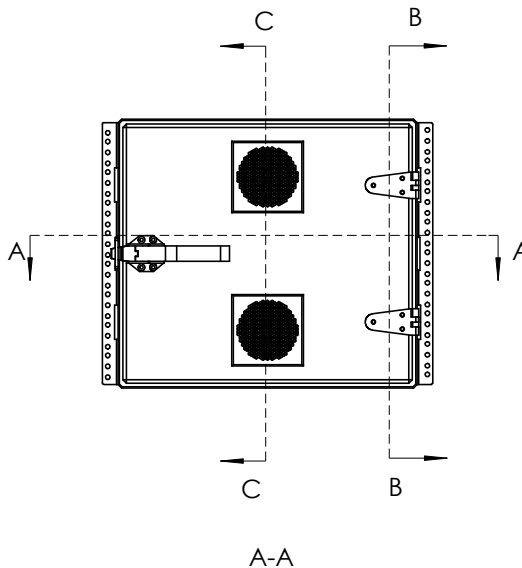
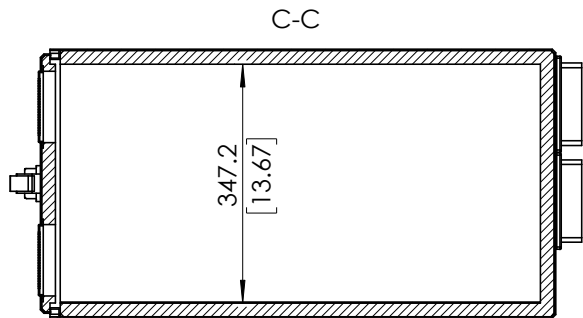
FRONT VIEW



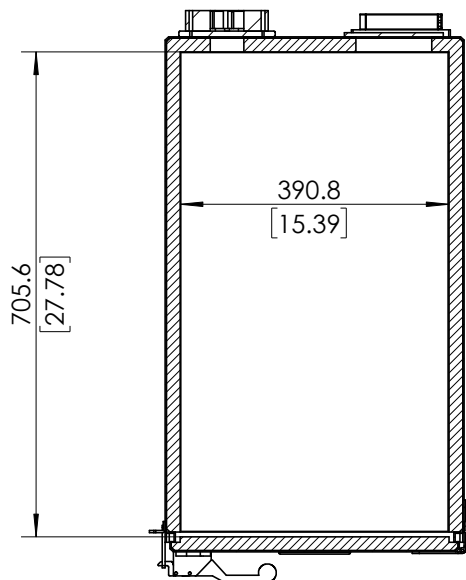
SIDE VIEW

UNLESS NOTED, DIMENSIONS IN MILLIMETERS & TOLERANCES ARE:		 ENCONNEX		PRODUCT LINE: RF Cabinet	
X. ± 1 MM	X° ± 1°			PART NUMBER: ECX-RFC-172915-F901	
X.X ± 0.5 MM	X.X° ± 0.5°	4670 AIRCENTER CIRCLE, RENO, NV89502		DESCRIPTION: 9U RF Cabinet	
X.XX ± 0.20 MM		 THIRD ANGLE PROJECTION		ENGINEER: Carson	
ØX.X ± 0.3 MM				DRAWN: Yifei Wang	
ØX.XX ± 0.10 MM		3D MODEL FILE NAME		REV DATE: 2022/3/4	
		3D MODEL CONFIGURATION		ITEM WEIGHT (REFERENCE ONLY)	
		UNITS:MM[IN]		REV: A	
		INTERPRET TO ASME Y14.100		SCALE:1:12	
		SIZE: B		DO NOT SCALE DRAWING	
				SHEET:2/4	


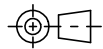
THIS DRAWING AND SPECIFICATIONS HEREIN ARE THE PROPERTY OF ENCONNEX LLC. AND SHALL NOT BE COPIED, REPRODUCED OR USED IN WHOLE OR IN PART, AS THE BASIS FOR THE MANUFACTURE OR SALE OF ITEMS WITHOUT THE WRITTEN PERMISSION OF ENCONNEX LLC. THIS DRAWING IS SUBJECT TO CHANGE WITHOUT NOTICE.



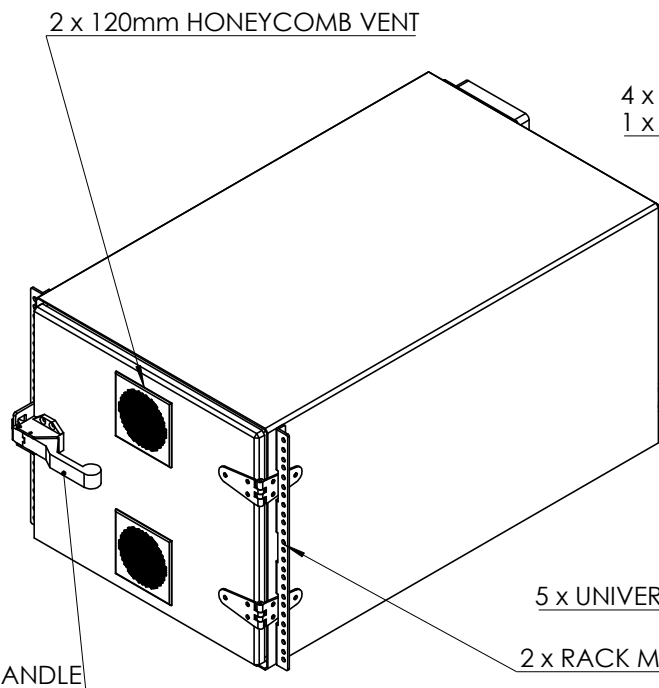
thickness absorbing material(20mm)



The inside of the box are pasted with 20mm thickness absorbing material.

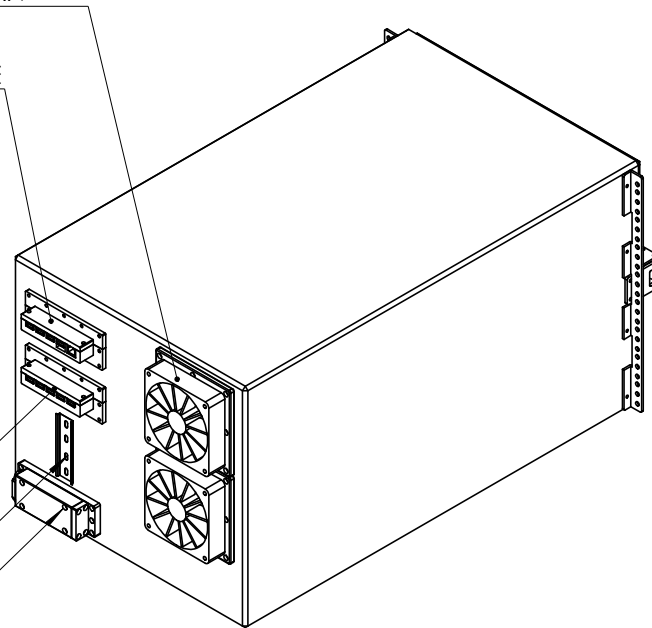
UNLESS NOTED, DIMENSIONS IN MILLIMETERS & TOLERANCES ARE:		 ENCONNEX	PRODUCT LINE: RF Cabinet		
X. ±1 MM	X° ±1°		PART NUMBER: ECX-RFC-172915-F901		
X.X ±0.5 MM	X.X° ±0.5°	4670 AIRCENTER CIRCLE, RENO, NV89502		DESCRIPTION: 9U RF Cabinet	
X.XX ±0.20 MM		 THIRD ANGLE PROJECTION	DRAWING FILE NAME	ENGINEER: Carson	ORG DATE: 2022/3/4
ØX.X ±0.3 MM			3D MODEL FILE NAME	DRAWN: Yifei Wang	REV DATE: 2022/3/4
ØX.XX ±0.10 MM		3D MODEL CONFIGURATION	ITEM WEIGHT (REFERENCE ONLY)		REV: A
UNITS:MM[IN]	INTERPRET TO ASME Y14.100	SIZE: B	SCALE:1:11	DO NOT SCALE DRAWING	SHEET:3/4

THIS DRAWING AND SPECIFICATIONS HEREIN ARE THE PROPERTY OF ENCONNEX LLC. AND SHALL NOT BE COPIED, REPRODUCED OR USED IN WHOLE OR IN PART, AS THE BASIS FOR THE MANUFACTURE OR SALE OF ITEMS WITHOUT THE WRITTEN PERMISSION OF ENCONNEX LLC. THIS DRAWING IS SUBJECT TO CHANGE WITHOUT NOTICE.




FRONT VIEW

2x120mm HONEYCOMB VENT WITH 12VDC120mm FAN
 4 x UNIVERSAL USB 3 INTERFACE
 1 x RJ45 10G UNIVERSAL INTERFACE



REAR VIEW

5 x UNIVERSAL USB 3 INTERFACE
 2 x RACK MOUNTING BRACKET
 RAIL POWER SUPPLY MOUNTING BRACKET
 IEC

UNLESS NOTED, DIMENSIONS IN MILLIMETERS & TOLERANCES ARE:		 ENCONNEX 4670 AIRCENTER CIRCLE, RENO, NV89502	PRODUCT LINE: RF Cabinet	
X. ±1 MM	X° ±1°		PART NUMBER: ECX-RFC-172915-F901	
X.X ±0.5 MM	X.X° ±0.5°	DESCRIPTION: 9U RF Cabinet		
X.XX ±0.20 MM		DRAWING FILE NAME		ENGINEER: Carson
ØX.X ±0.3 MM		3D MODEL FILE NAME		ORG DATE: 2022/3/4
ØX.XX ±0.10 MM		3D MODEL CONFIGURATION		DRAWN: Yifei Wang
		ITEM WEIGHT (REFERENCE ONLY)		REV DATE: 2022/3/4
		THIRD ANGLE PROJECTION		REV: A
UNITS:MM[IN]	INTERPRET TO ASME Y14.100	SIZE: B	SCALE:1:5	DO NOT SCALE DRAWING
				SHEET:4/4