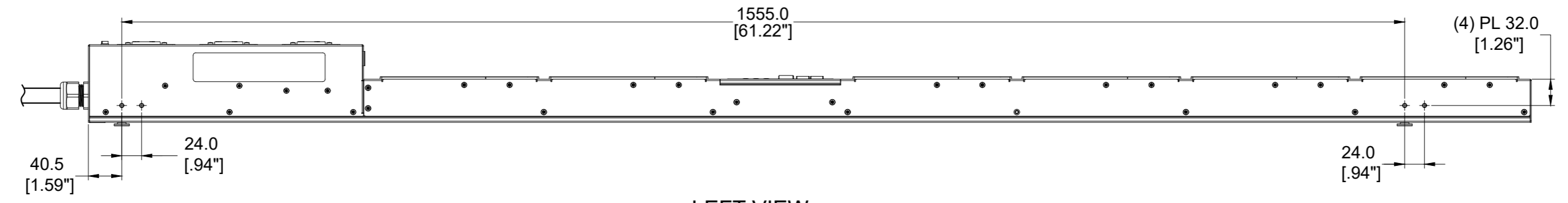
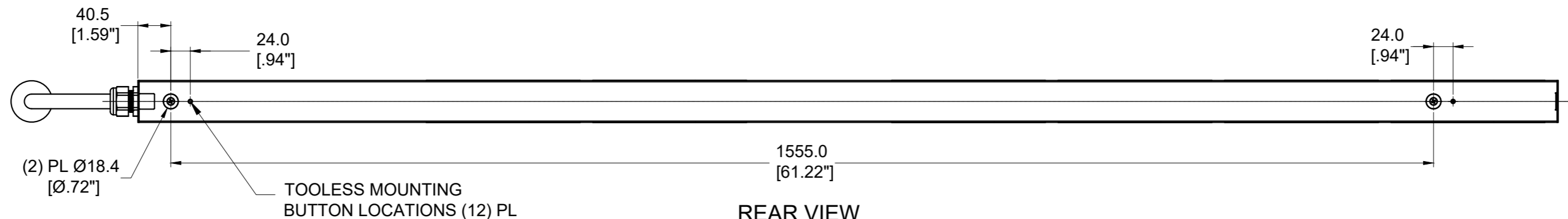


Notes/Instructions:

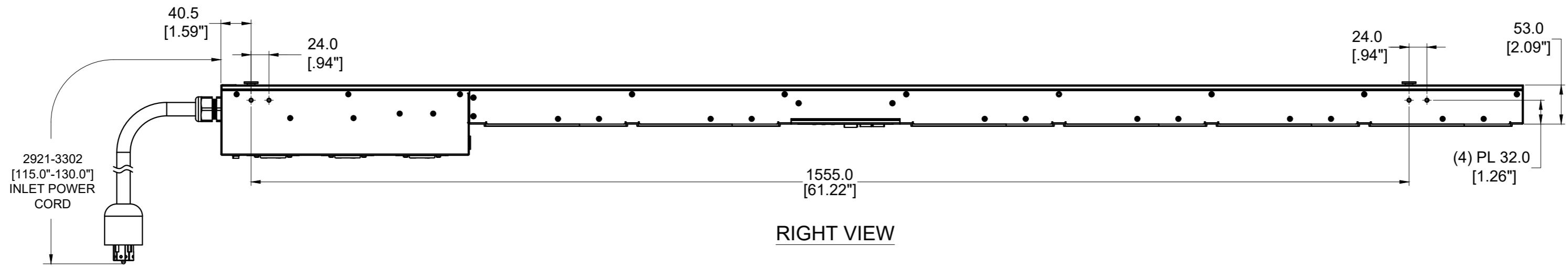
REV	REV DATE	DESCRIPTION	APPROVAL
A	2019-04-23	RELEASE	



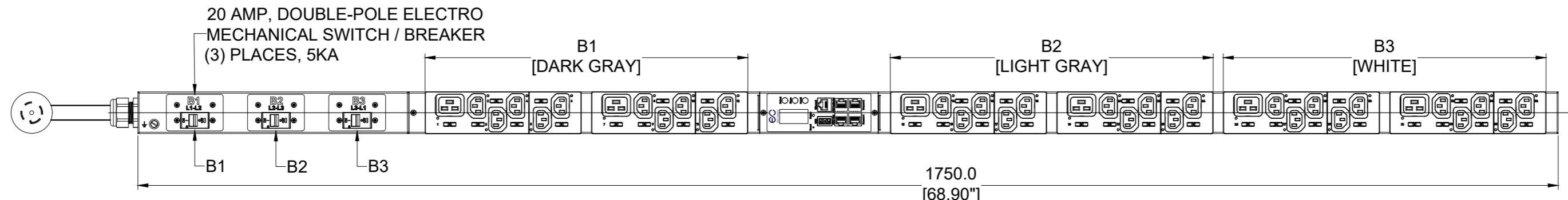
LEFT VIEW



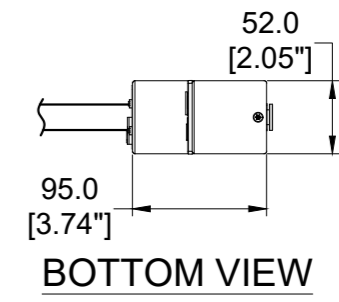
REAR VIEW



RIGHT VIEW



FRONT VIEW



BOTTOM VIEW

**PLUG/RECEPTACLE BLOCK**

PLUG  
NEMA L21 - 30P, 4P 5W  
30A, 120/208V MAX RATED INPUT  
24A DERATED

RECEPTACLES  
IEC 60320/C19  
16A, 250V MAX RATED OUTPUT

RECEPTACLES  
IEC 60320/C13  
10A, 250V MAX RATED OUTPUT

UNIT TYPE: MONITORED & SWITCHED PER OUTLET  
 ORIENTATION: VERTICAL, 0U FULL  
 OUTLET QTY&TYPE: (30) C13, (6) C19  
 INPUT VOLTAGE: 100-120/200-240VAC  
 INPUT CURRENT: 30A (24A DERATED)  
 BREAKER QTY&TYPE: (3) 20AMP, DOUBLE-POLE, 5KA  
 INPUT PHASE: THREE-PHASE, WYE  
 RATED POWER: 8.6kVA  
 INPUT PLUG: NEMA L21-30P  
 INPUT POWER CORD: 3m[10'], TOP FEED  
 REGULATORY STANDARD: RoHS COMPLIANT

**Notes:**  
 This drawing and its specifications are the property of ENCONNEX and shall not be copied, reproduced, or used in whole or in part, as the basis for the manufacture or sale of items without written permission from ENCONNEX. This drawing is based upon the latest available information and is subject to change without notice.

TOLERANCES LINEAR (mm) X = ±1 XX = ±0.5 XXX = ±0.30 XXXX = ±0.130 ANGULAR X = 1° XX = 0.5° XXX = 0.25°	MATERIAL:	ENCONNEX 4670 AIRCENTER CIRCLE, RENO, NV 89502	PART NUMBER: ECX-WV1730060-G
	DESCRIPTION:		DESCRIPTION: 208V/30A, 3 Phase, 36 outlets, 30 C13, 6 C19, Intelligent - outlet switched and outlet metered (Wye), 5KAIC breakers.
DEBUR AND BREAK SHARP EDGES/CORNERS AT 0.2mm MAX INTERPRET TO ASME Y14.100	DRAWN BY: Leo Liu APPROVED BY: R. FAULKNER	ORG DATE: 2019-04-23 REV DATE:	SHEET: 1/1 REV: A

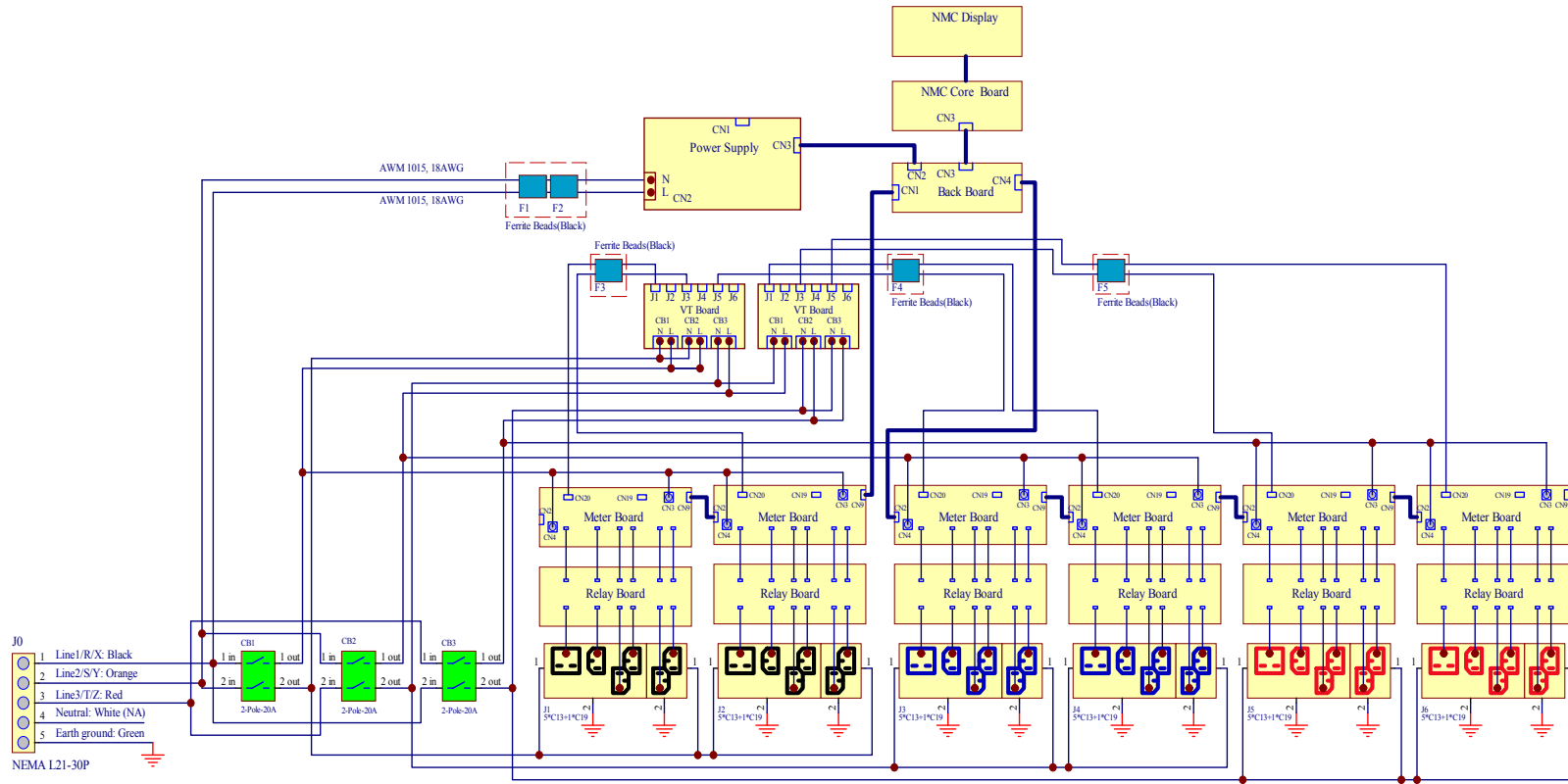
Notes/Instructions:

ECX-WV1730060-G

Input Cable Type: Type SJT, 90°C, 300V, 10AWG, 5C  
 Internal Wire Type: UL AWM 1015, 105°C, 12/18AWG  
 1: Line1/R/X Wire Color = Black  
 2: Line2/S/Y Wire Color = Orange  
 3: Line3/T/Z Wire Color = Red  
 4: Neutral Wire Color = White  
 5: Earth ground Wire Color = Green/Yellow (Stripe)


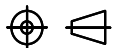
Input main Ground Terminal: KST\_RNBM8-5 or equivalent  
 CB Terminal: KST\_RNYDS-5  
 Outlet Ground Terminal: KST\_RNYDL5-4  
 Internal Wires (N and G Wire) are soldered to Outlet Terminal

REV	REV DATE	DESCRIPTION	APPROVAL
A	2019-04-24	RELEASE	



Notes:

This drawing and its specifications are the property of ENCONNEX and shall not be copied, reproduced, or used in whole or in part, as the basis for the manufacture or sale of items without written permission from ENCONNEX. This drawing is based upon the latest available information and is subject to change without notice.

TOLERANCES LINEAR (mm) X = ± 1 X.X = ± 0.5 X.XX = ± 0.30 X.XXX = ± 0.130 ANGULAR X = 1° .X = 0.5° .XX = 0.25°	MATERIAL:	 ENCONNEX 4670 AIRCENTER CIRCLE, RENO, NV 89502	PART NUMBER: ECX-WV1730060-G
	DESCRIPTION:		DESCRIPTION: Wiring Scheme
 DEBUR AND BREAK SHARP EDGES/CORNERS AT 0.2mm MAX	DRAWN BY: SAM DING	ORG DATE: 2019-04-24	
	UNITS: mm [in] INTERPRET TO ASME Y14.100	APPROVED BY: R. FAULKNER	REV DATE:
	SIZE: A4	SCALE: 1 : 1	SHEET: 1/1
			REV: A