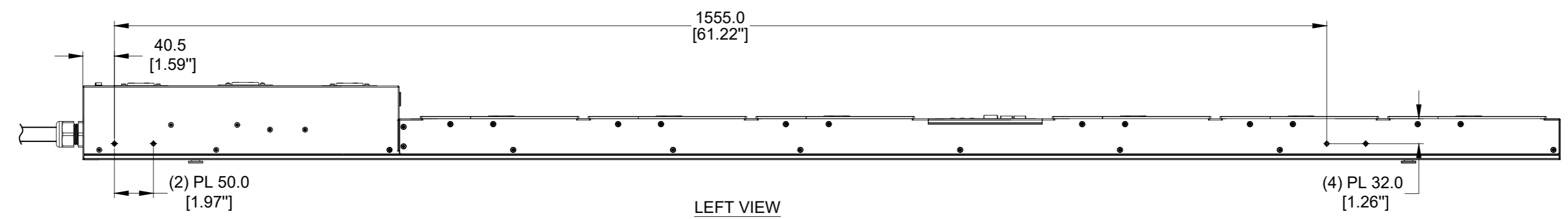
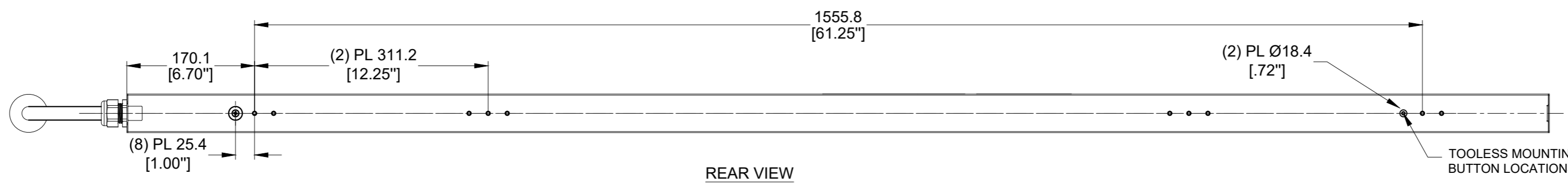


Notes/Instructions:

REV	REV DATE	DESCRIPTION	APPROVAL
A	2019-04-23	RELEASE	

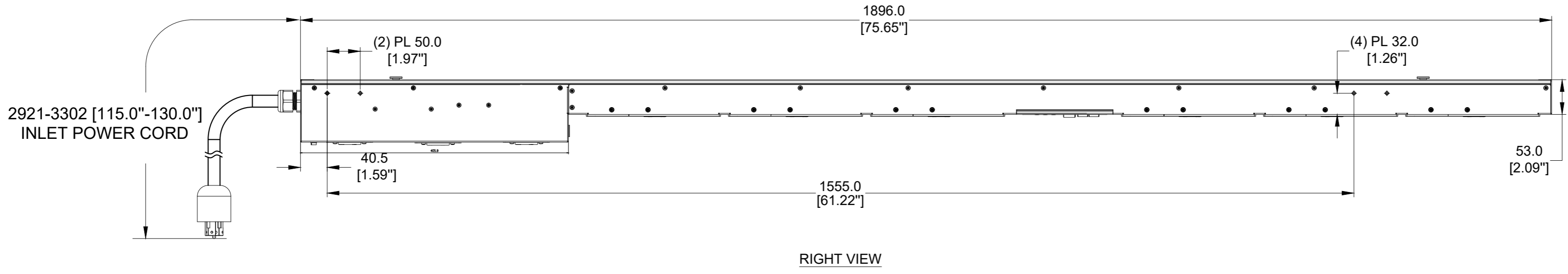


LEFT VIEW



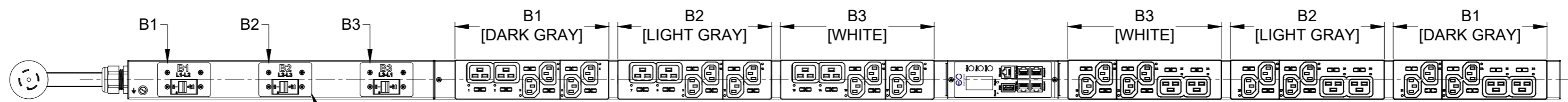
REAR VIEW

TOOLESS MOUNTING  
BUTTON LOCATIONS (12) PL



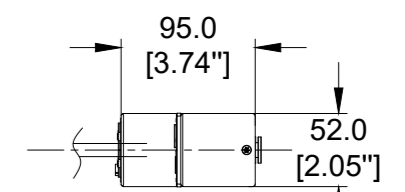
RIGHT VIEW

2921-3302 [115.0"-130.0"]  
INLET POWER CORD



20 AMP, DOUBLE-POLE ELECTRO  
MECHANICAL SWITCH / 10KA BREAKER(3) PLACES

FRONT VIEW



BOTTOM VIEW

**PLUG/RECEPTACLE BLOCK**

**PLUG**  
NEMA L21 - 30P, 4P 5W  
30A, 120/208V MAX RATED INPUT  
24A DERATED

**RECEPTACLES**  
IEC 60320/C19  
16A, 250V MAX RATED OUTPUT

**RECEPTACLES**  
IEC 60320/C13  
10A, 250V MAX RATED OUTPUT

**UNIT TYPE:** MONITORED & SWITCHED PER OUTLET  
**ORIENTATION:** VERTICAL, 0U FULL  
**OUTLET QTY&TYPE:** (24) C13, (12) C19  
**INPUT VOLTAGE:** 100-120/200-240VAC  
**INPUT CURRENT:** 30A (24A DERATED)  
**BREAKER QTY&TYPE:** (3) 20AMP, DOUBLE-POLE, 10KA  
**INPUT PHASE:** THREE-PHASE, WYE  
**RATED POWER:** 8.6kVA  
**INPUT PLUG:** NEMA L21-30P  
**INPUT POWER CORD:** 3m[10"], TOP FEED  
**REGULATORY STANDARD:** RoHS COMPLIANT

**Notes:**  
This drawing and its specifications are the property of ENCONNEX and shall not be copied, reproduced, or used in whole or in part, as the basis for the manufacture or sale of items without written permission from ENCONNEX. This drawing is based upon the latest available information and is subject to change without notice.

TOLERANCES LINEAR (mm) X = ± 1 XX = ± 0.5 XXX = ± 0.30 XXXX = ± 0.130 ANGULAR X = 1° XX = 0.5° XXX = 0.25°	MATERIAL:		PART NUMBER: ECX-WV1724120-G
	DESCRIPTION:		DESCRIPTION: 208V/30A, 3 Phase, 36 outlets, 24-C13, 12-C19, intelligent - outlet switched and outlet metered (Wye), 10 kAIC breakers
	DEBUR AND BREAK SHARP EDGES/CORNERS AT 0.2mm MAX	DRAWN BY: Leo Liu APPROVED BY: R. FAULKNER	ORG DATE: 2019-04-23 REV DATE:
UNITS: mm [in]	INTERPRET TO ASME Y14.100	SIZE: A2 SCALE: 1:1	SHEET: 1/1 REV: A

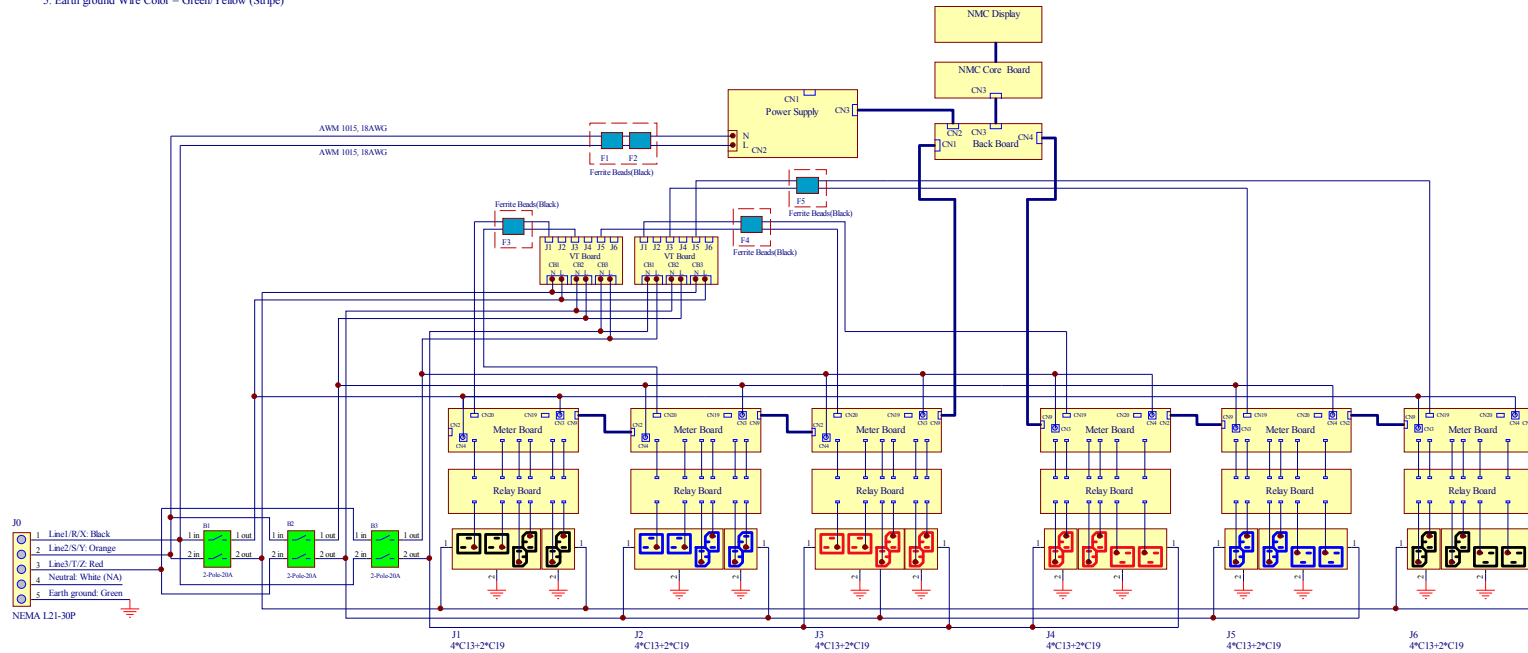
Notes/Instructions:

REV	REV DATE	DESCRIPTION	APPROVAL
A	2019-04-24	RELEASE	

**ECX-WV1724120-G**


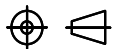
Input Cable Type: Type SJT; 90°C; 300V; 10AWG; 5C  
 Internal Wire Type: UL AWM 1015, 105°C, 12/18AWG  
 1: Line1/R/X Wire Color = Black  
 2: Line2/S/Y Wire Color = Orange  
 3: Line3/T/Z Wire Color = Red  
 4: Neutral Wire Color = White  
 5: Earth ground Wire Color = Green/Yellow (Stripe)

Input main Ground Terminal: KST\_RNBM8-5 or equivalent  
 CB Terminal: KST\_RNYDS-5  
 Outlet Ground Terminal: KST\_RNYDL5-4  
 Internal Wires (N and G Wire) are soldered to Outlet Terminal



**Notes:**

This drawing and its specifications are the property of ENCONNEX and shall not be copied, reproduced, or used in whole or in part, as the basis for the manufacture or sale of items without written permission from ENCONNEX. This drawing is based upon the latest available information and is subject to change without notice.

TOLERANCES LINEAR (mm) X = ± 1 X.X = ± 0.5 X.XX = ± 0.30 X.XXX = ± 0.130 ANGULAR X = 1° .X = 0.5° .XX = 0.25°	MATERIAL:	 ENCONNEX 4670 AIRCENTER CIRCLE, RENO, NV 89502	PART NUMBER: ECX-WV1724120-G
	DESCRIPTION:		DESCRIPTION: Wiring Scheme
 DEBUR AND BREAK SHARP EDGES/CORNERS AT 0.2mm MAX UNITS: mm [in]	DRAWN BY: SAM DING APPROVED BY: R. FAULKNER	ORG DATE: 2019-04-24 REV DATE:	SHEET: 1/1 REV: A
	INTERPRET TO ASME Y14.100	SIZE: A4 SCALE: 1 : 1	