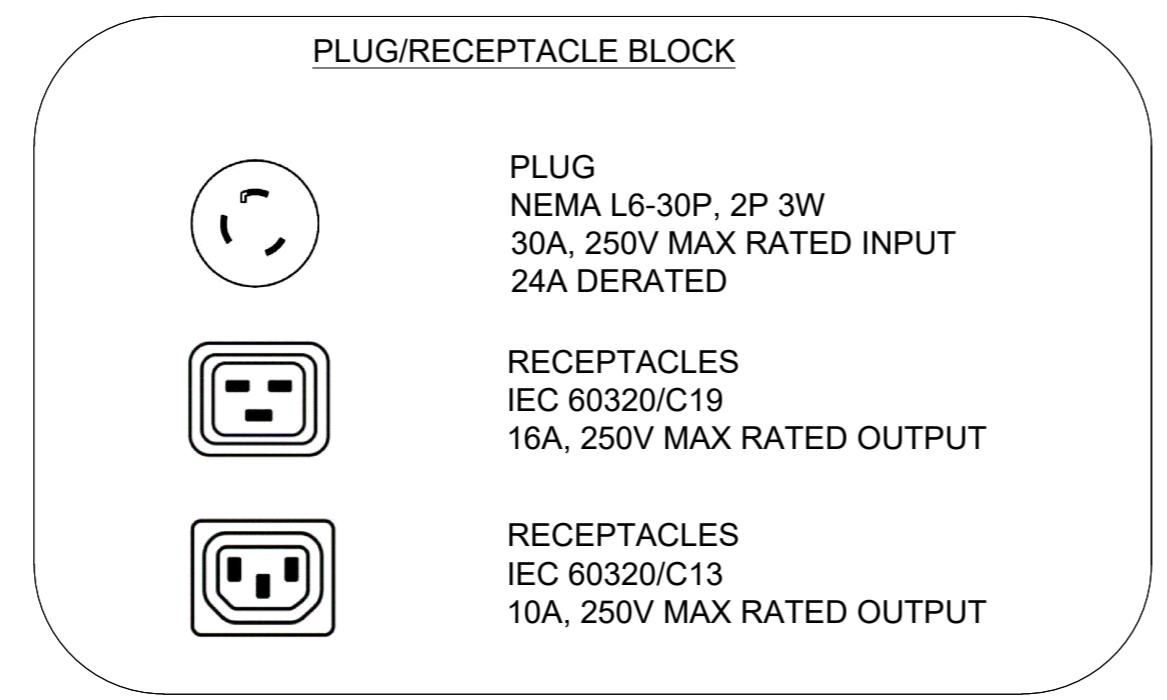
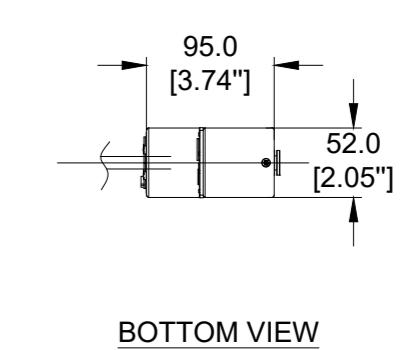
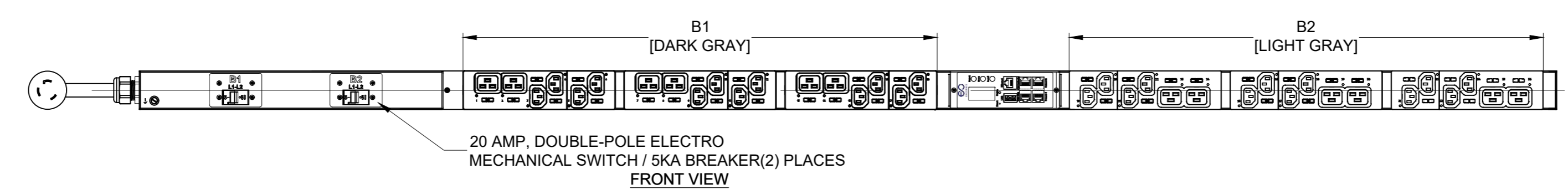
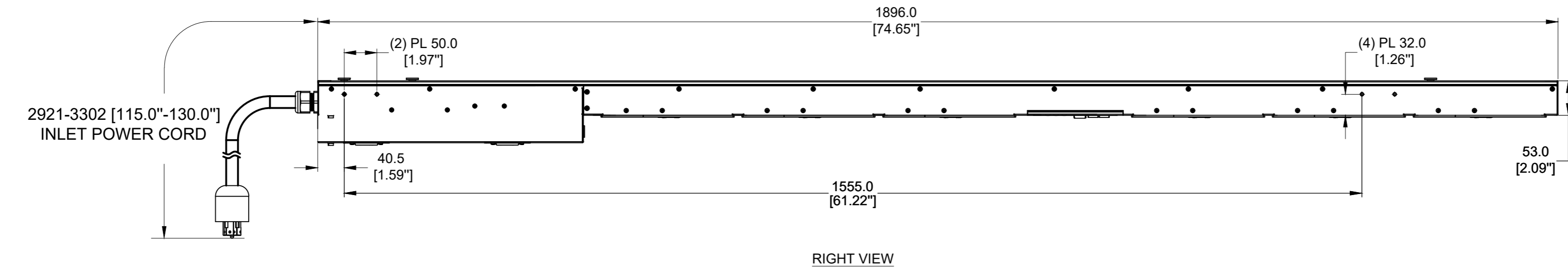
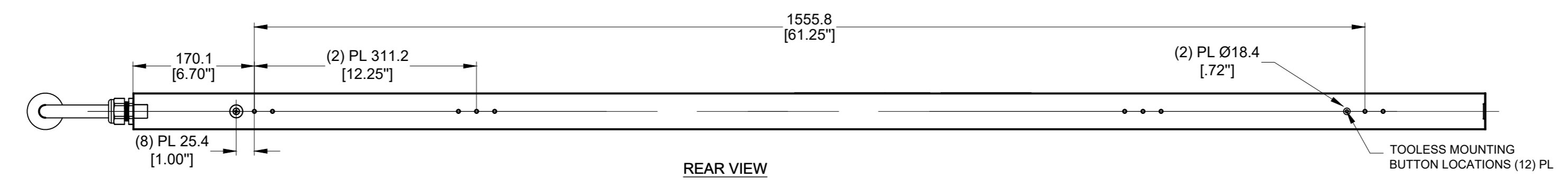
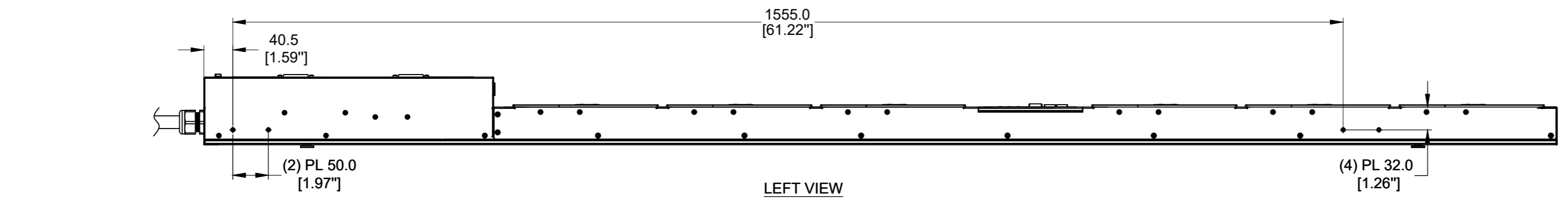


REV	REV DATE	DESCRIPTION	APPROVAL
A	2019-04-19	RELEASE	

Notes/Instructions:



UNIT TYPE: MONITORED & SWITCHED PER OUTLET
 ORIENTATION: 200-240VAC
 OUTLET QTY&TYPE: (24) C-13, (12) C19
 INPUT VOLTAGE: 100-240VAC
 INPUT CURRENT: 30A (24A DERATED)
 BREAKER QTY&TYPE: (2)20AMP,DOUBLE POLE,5KA
 INPUT PHASE: SINGLE-PHASE
 RATED POWER: 5.0kVA
 INPUT PLUG: NEMA L6-30P
 INPUT POWER CORD: 3m[10\"/>

Notes:
 This drawing and its specifications are the property of ENCONNEX and shall not be copied, reproduced, or used in whole or in part, as the basis for the manufacture or sale of items without written permission from ENCONNEX. This drawing is based upon the latest available information and is subject to change without notice.

TOLERANCES LINEAR (mm) X = ± XX = ± 0.5 XXX = ± 0.30 X.XXX = ± 0.130	MATERIAL:		PART NUMBER: ECX-WV1224120-E
ANGULAR X = 1° XX = 0.5° XXX = 0.25°	DESCRIPTION: 4670 AIRCENTER CIRCLE RENO, NV 89502		DESCRIPTION: 208V/30A, Single Phase, 36 outlets, 24 C13, 12 C19, intelligent - outlet switched and outlet metered, 5KAIC breaker
UNITS: mm [in]	DEBUR AND BREAK SHARP EDGES/CORNERS AT 0.2mm MAX	DRAWN BY: Leo Liu	ORG DATE: 2019-04-19
INTERPRET TO ASME Y14.100	APPROVED BY:	SIZE: A2	SCALE: 1:1
			SHEET: 1/1
			REV DATE: 2019-03-08
			REV: A

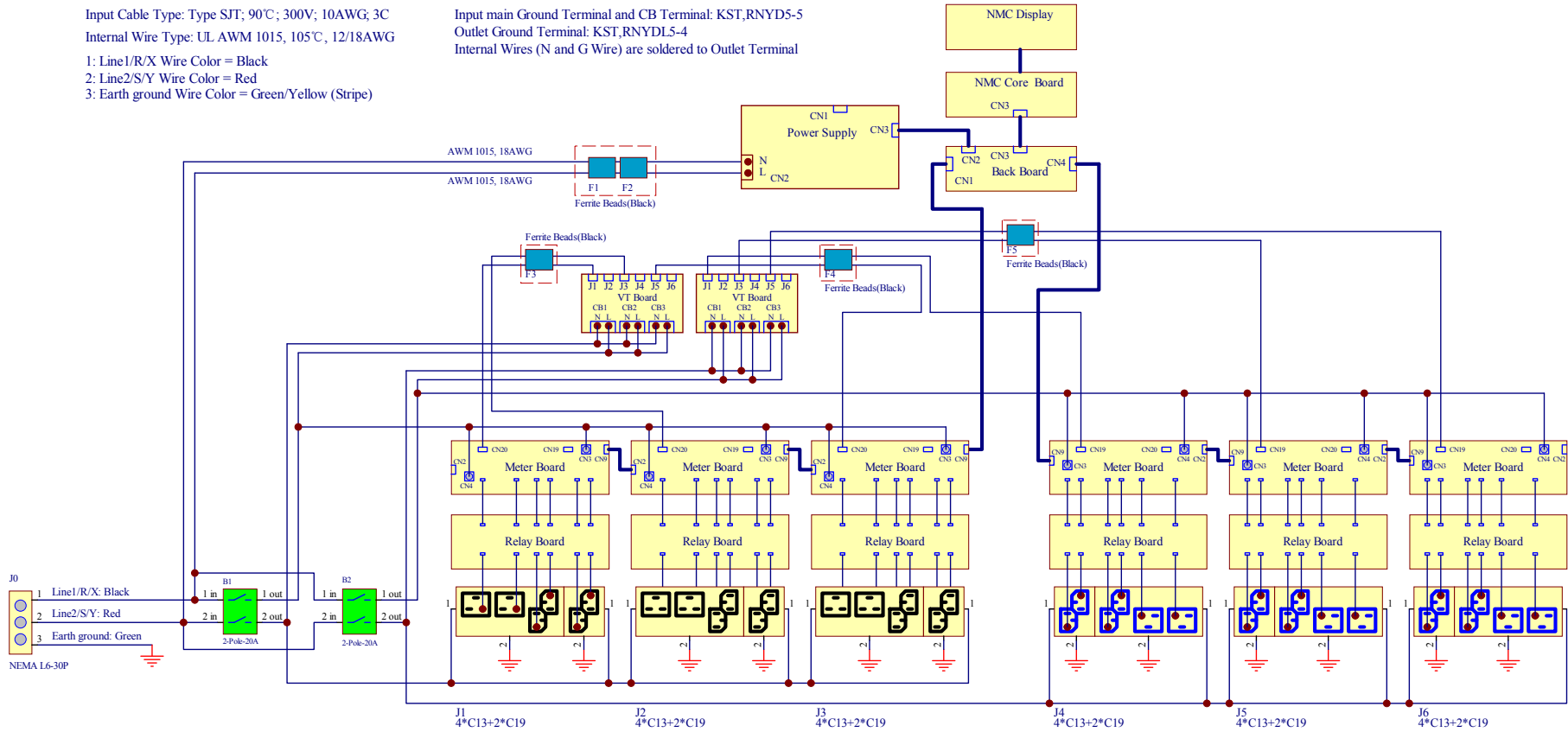
Notes/Instructions:

REV	REV DATE	DESCRIPTION	APPROVAL
A	2019-04-19	RELEASE	

ECX-WV1224120-E


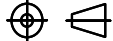
Input Cable Type: Type SJT; 90°C; 300V; 10AWG; 3C
 Internal Wire Type: UL AWM 1015, 105°C, 12/18AWG
 1: Line1/R/X Wire Color = Black
 2: Line2/S/Y Wire Color = Red
 3: Earth ground Wire Color = Green/Yellow (Stripe)

Input main Ground Terminal and CB Terminal: KST,RNYD5-5
 Outlet Ground Terminal: KST,RNYDL5-4
 Internal Wires (N and G Wire) are soldered to Outlet Terminal



Notes:

This drawing and its specifications are the property of ENCONNEX and shall not be copied, reproduced, or used in whole or in part, as the basis for the manufacture or sale of items without written permission from ENCONNEX. This drawing is based upon the latest available information and is subject to change without notice.

TOLERANCES LINEAR (mm) X = ±1 X.X = ±0.5 X.XX = ±0.30 X.XXX = ±0.130 ANGULAR X = 1° .X = 0.5° .XX = 0.25°	MATERIAL:	 4670 AIRCENTER CIRCLE, RENO, NV 89502	PART NUMBER: ECX-WV1224120-E
	DESCRIPTION:		DESCRIPTION: Wiring Scheme
 DEBUR AND BREAK SHARP EDGES/CORNERS AT 0.2mm MAX UNITS: mm [in]	DRAWN BY: Jing Zhang APPROVED BY: R. FAULKNER	ORG DATE: 2019-04-19 REV DATE:	SHEET: 1/1 REV: A
	INTERPRET TO ASME Y14.100	SIZE: A4 SCALE: 1 : 1	