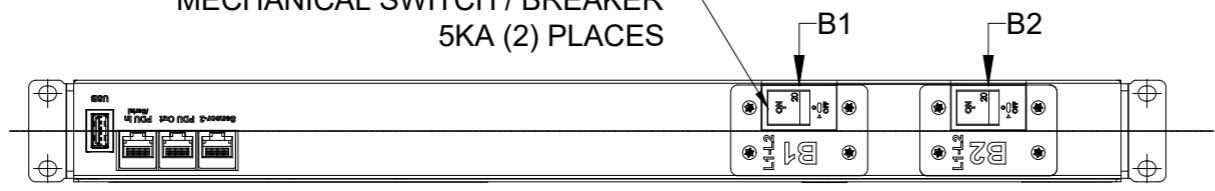


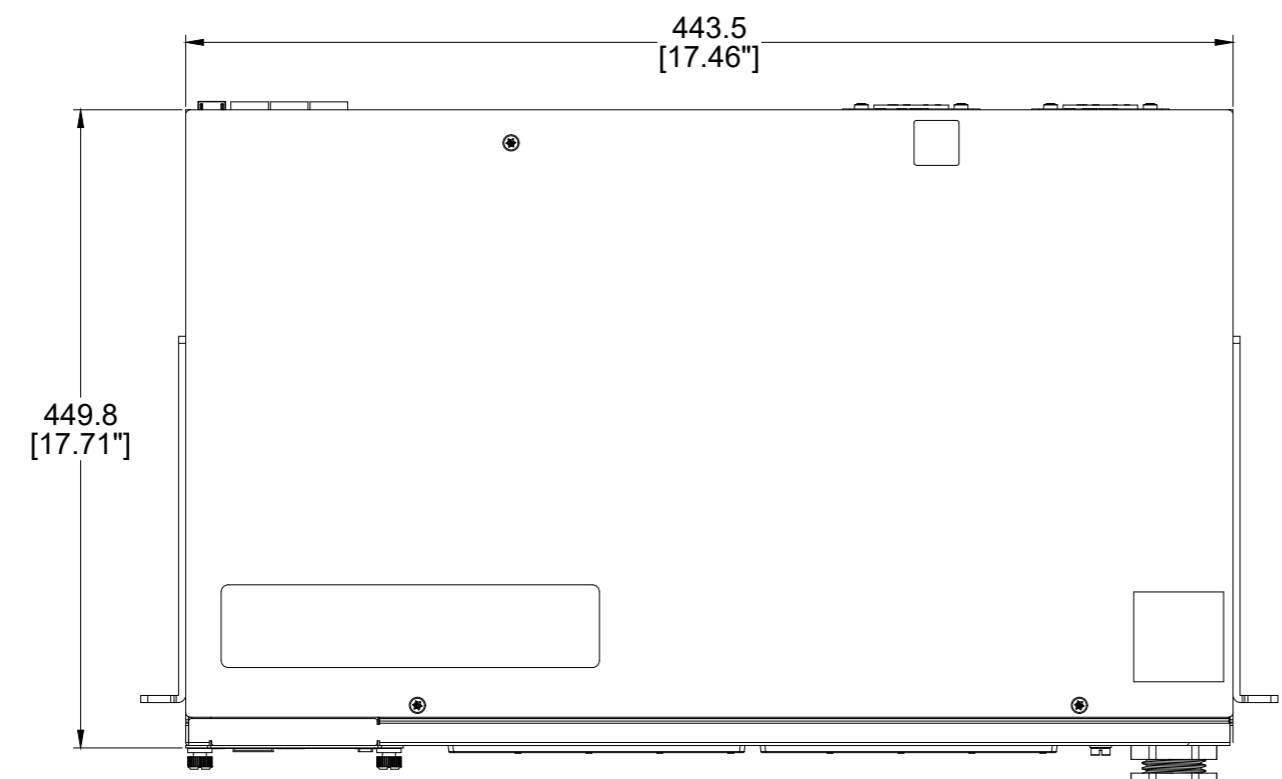
REV	REV DATE	DESCRIPTION	APPROVAL
A	2019-04-23	RELEASE	

Notes/Instructions:

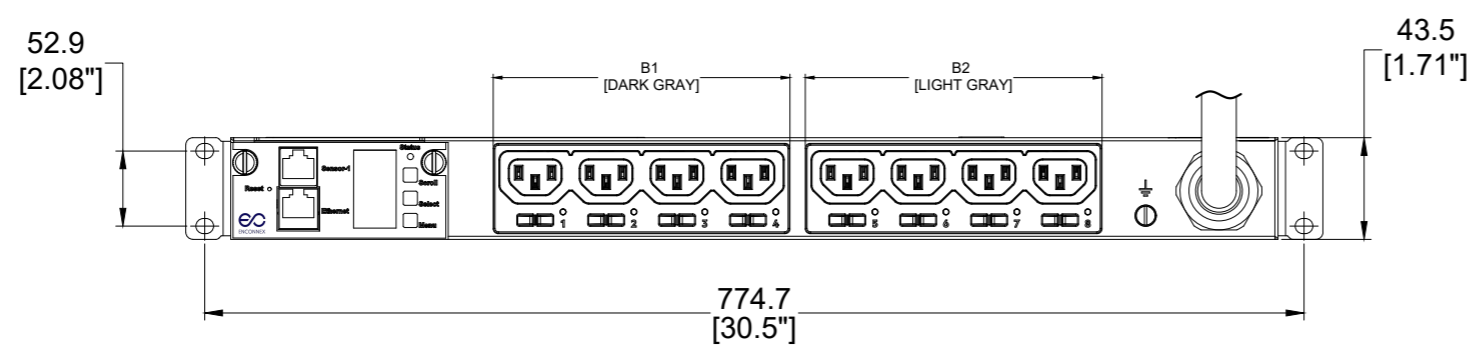
20 AMP, DOUBLE - POLE ELECTRO MECHANICAL SWITCH / BREAKER
5KA (2) PLACES



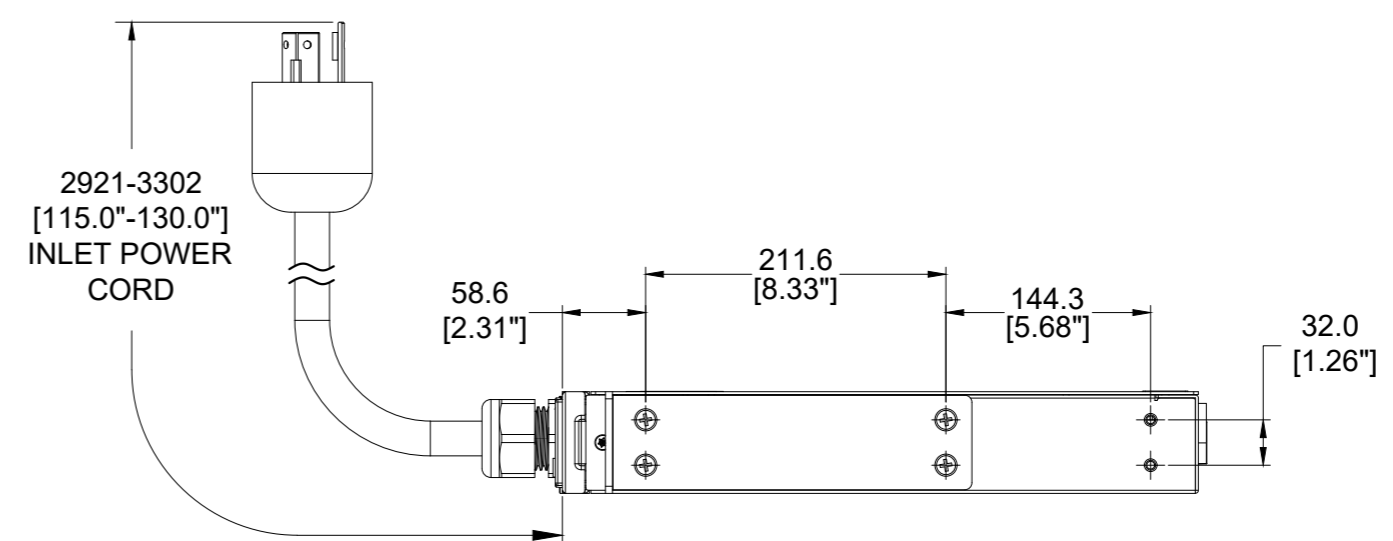
REAR VIEW



TOP VIEW

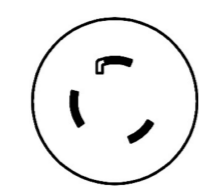


FRONT VIEW

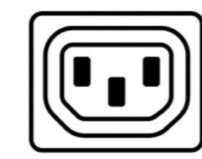


SIDE VIEW

PLUG/RECEPTACLE BLOCK



PLUG
NEMA L6 - 30P, 2P 3W
30A, 250V MAX RATED INPUT
24A DERATED



RECEPTACLES
IEC 60320/C13
10A, 250V MAX RATED OUTPUT

UNIT TYPE: MONITORED & SWITCHED PER OUTLET
ORIENTATION: HORIZONTAL, 1U
OUTLET QTY & TYPE: (8)C13
INPUT VOLTAGE: 200-240VAC
INPUT CURRENT: 30A(24A DERATED)
BREAKER QTY & TYPE: (2) 20AMP, DOUBLE-POLE, 5 KA
INPUT PHASE: SINGLE-PHASE
RATED POWER: 5.0KVA
INPUT PLUG: NEMA L6-30P
INPUT POWER CORD: 3m [10'], FRONT FEED
REGULATORY STANDARD: RoHS COMPLIANT

Notes:
This drawing and its specifications are the property of ENCONNEX and shall not be copied, reproduced, or used in whole or in part, as the basis for the manufacture or sale of items without written permission from ENCONNEX. This drawing is based upon the latest available information and is subject to change without notice.

TOLERANCES LINEAR (mm) X = ± 1 XX = ± 0.5 XXX = ± 0.30 XXXX = ± 0.130 ANGULAR X = 1° XX = 0.5° XXX = 0.25°	MATERIAL:		PART NUMBER: ECX-WH1208000-E
	DESCRIPTION:		DESCRIPTION: 208V/30A, Single Phase, 8 outlets (all C13), Intelligent - outlet switched and outlet metered, 5KAIC breaker
	DEBUR AND BREAK SHARP EDGES/CORNERS AT 0.2mm MAX	DRAWN BY: Leo Liu APPROVED BY: R. FAULKNER	ORG DATE: 2019-04-23 REV DATE:
UNITS: mm [in]	INTERPRET TO ASME Y14.100	SIZE: A2 SCALE: 1:1	SHEET: 1/1 REV: A

Notes/Instructions:

ECX-WH1208000-E

Input Cable Type: SJT; 90°C; 300V; 10AWG; 3C

Internal Wire Type: UL AWM 1015, 105°C, 12/18AWG

1: Line1/R/X Wire Color = Black

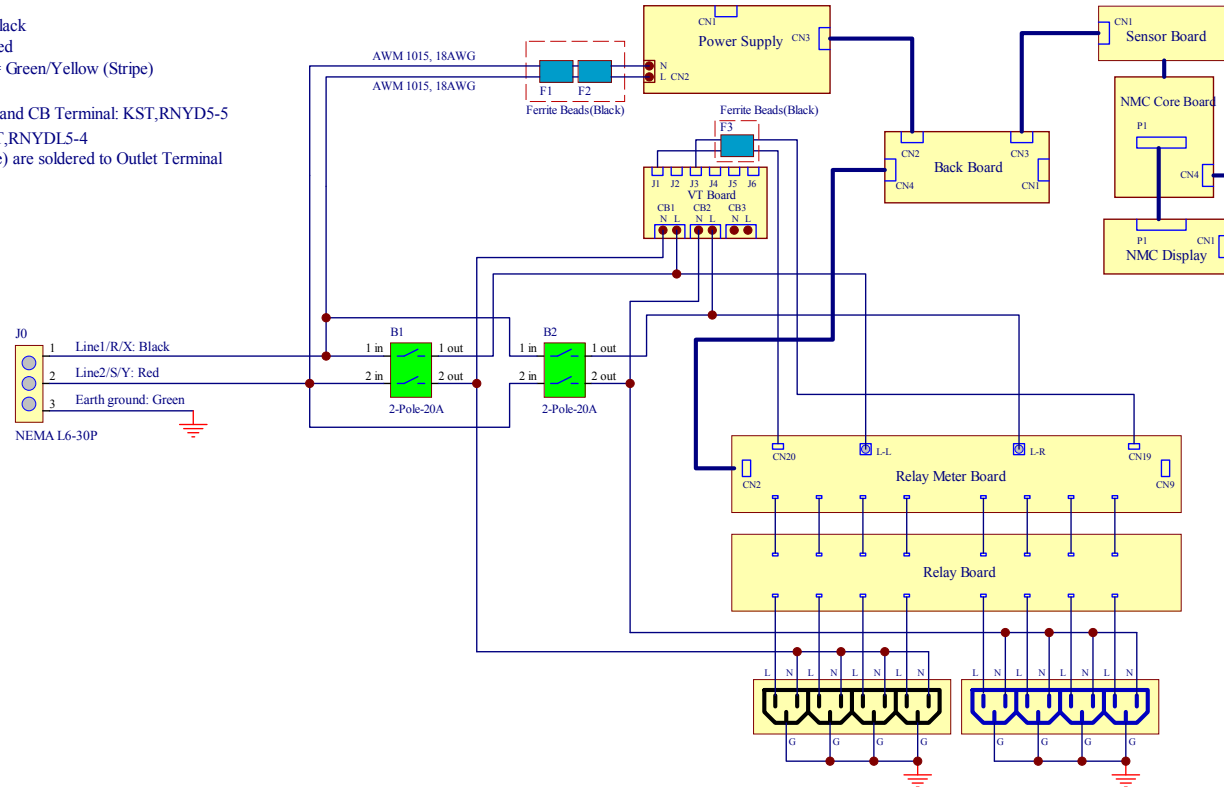
2: Line2/S/Y Wire Color = Red

3: Earth ground Wire Color = Green/Yellow (Stripe)

Input main Ground Terminal and CB Terminal: KST,RNYD5-5

Outlet Ground Terminal: KST,RNYDL5-4


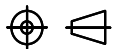
Internal Wires (N and G Wire) are soldered to Outlet Terminal



Notes:

This drawing and its specifications are the property of ENCONNEX and shall not be copied, reproduced, or used in whole or in part, as the basis for the manufacture or sale of items without written permission from ENCONNEX. This drawing is based upon the latest available information and is subject to change without notice.

REV	REV DATE	DESCRIPTION	APPROVAL
A	2019-04-24	RELEASE	

<p>TOLERANCES LINEAR (mm) X = ± 1 X.X = ± 0.5 X.XX = ± 0.30 X.XXX = ± 0.130</p> <p>ANGULAR X = 1° .X = 0.5° .XX = 0.25°</p>	MATERIAL:	 4670 AIRCENTER CIRCLE, RENO, NV 89502	PART NUMBER: ECX-WH1208000-E
	DESCRIPTION:		DESCRIPTION: Wiring Scheme
 DEBUR AND BREAK SHARP EDGES/CORNERS AT 0.2mm MAX	DRAWN BY: SAM DING APPROVED BY: R. FAULKNER	ORG DATE: 2019-04-24	REV DATE:
		UNITS: mm [in] INTERPRET TO ASME Y14.100	SIZE: A4 SCALE: 1 : 1