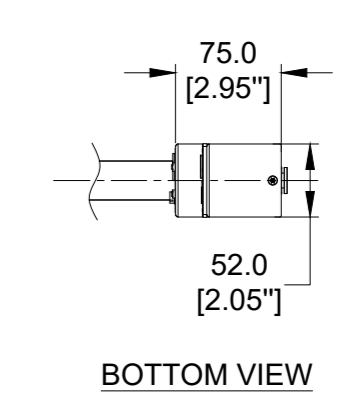
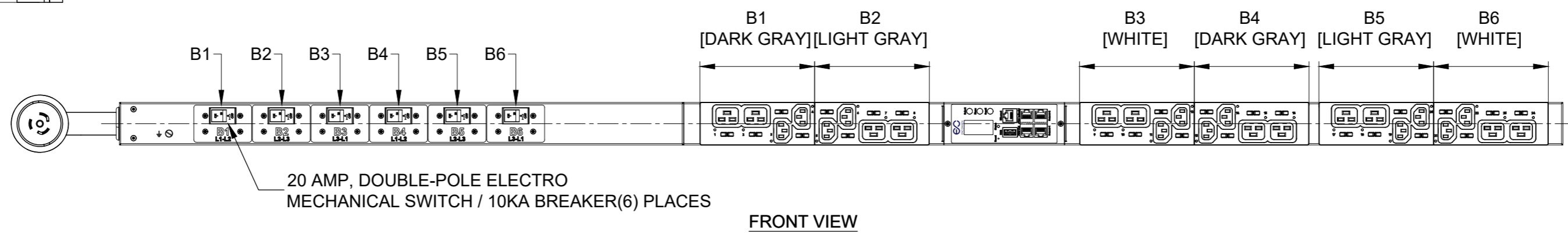
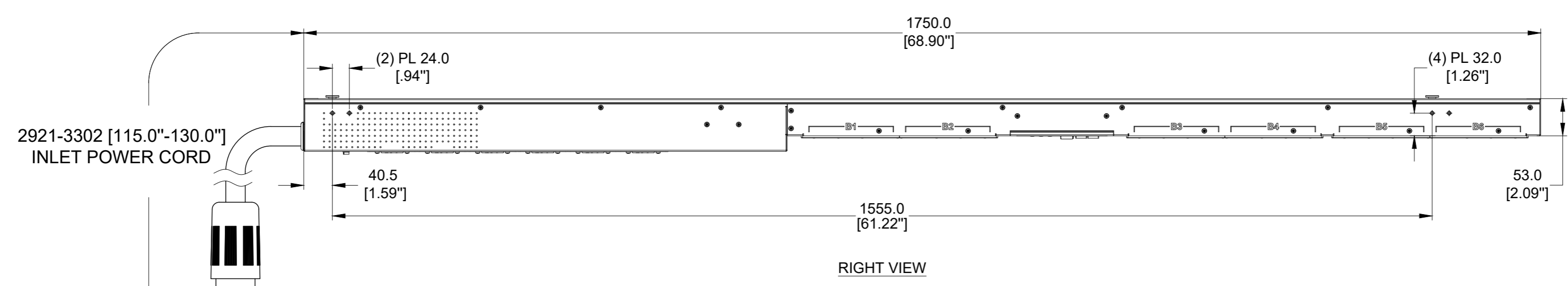
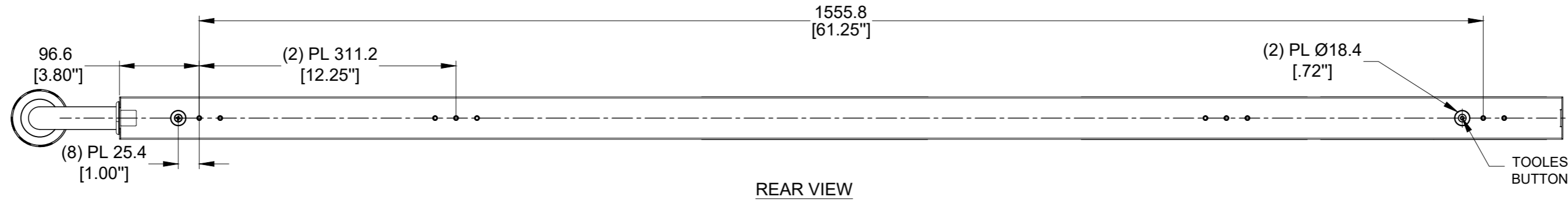
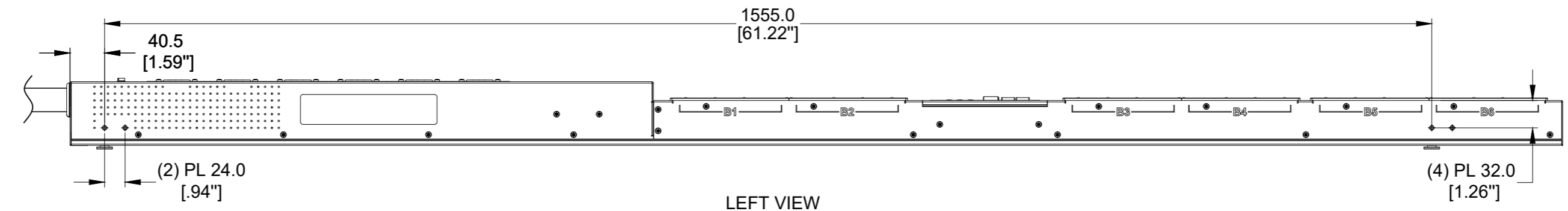


REV	REV DATE	DESCRIPTION	APPROVAL
A	2019-04-23	RELEASE	

Notes/Instructions:



PLUG/RECEPTACLE BLOCK

	PLUG CS8365C, 3P 4W 50A, 250V, 3-PHASE DELTA MAX RATED INPUT 40A DERATED
	RECEPTACLES IEC 60320/C19 16A, 250V MAX RATED OUTPUT
	RECEPTACLES IEC 60320/C13 10A, 250V MAX RATED OUTPUT

UNIT TYPE: MONITORED SWITCHED
ORIENTATION: VERTICAL, 0U FULL
OUTLET QTY&TYPE: (12) C13, (12) C19
INPUT VOLTAGE: 200-240VAC
INPUT CURRENT: 50A (40A DERATED)
BREAKER QTY&TYPE: (6) 20AMP, DOUBLE-POLE, 10KA
INPUT PHASE: THREE-PHASE, DELTA
RATED POWER: 14.4kVA
INPUT PLUG: C8365C
INPUT POWER CORD: 3m[10\"/>

Notes:
 This drawing and its specifications are the property of ENCONNEX and shall not be copied, reproduced, or used in whole or in part, as the basis for the manufacture or sale of items without written permission from ENCONNEX. This drawing is based upon the latest available information and is subject to change without notice.

TOLERANCES LINEAR (mm) X = ±1 XX = ±0.5 XXX = ±0.30 XXXX = ±0.150 ANGULAR X = 1° XX = 0.5° XXX = 0.25°	MATERIAL:	 4670 AIRCENTER CIRCLE, RENO, NV 89502	PART NUMBER: ECX-SV1812120-K
	DESCRIPTION:		DESCRIPTION: 208 3P 50A IP(Metered)/Outlet Switched(C8365C) - 12 C13/12 C19 -6020A breakers
 DEBUR AND BREAK SHARP EDGES/CORNERS AT 0.2mm MAX INTERPRET TO ASME Y14.100	DRAWN BY: Leo Liu APPROVED BY: R. FAULKNER	ORG DATE: 2019-04-23 REV DATE:	SHEET: 1/1 REV: A

Notes/Instructions:

ECX-SV1812120-K

Input Cable Type: Type SOOW; 90°C; 600V; 6AWG; 4C

Internal Wire Type: UL AWM 1015, 105°C, 10/12/18AWG

- 1: Line1/R/X Wire Color = Black
- 2: Line2/S/Y Wire Color = Orange
- 3: Line3/T/Z Wire Color = Red
- 4: Earth ground Wire Color = Green/Yellow (Stripe)

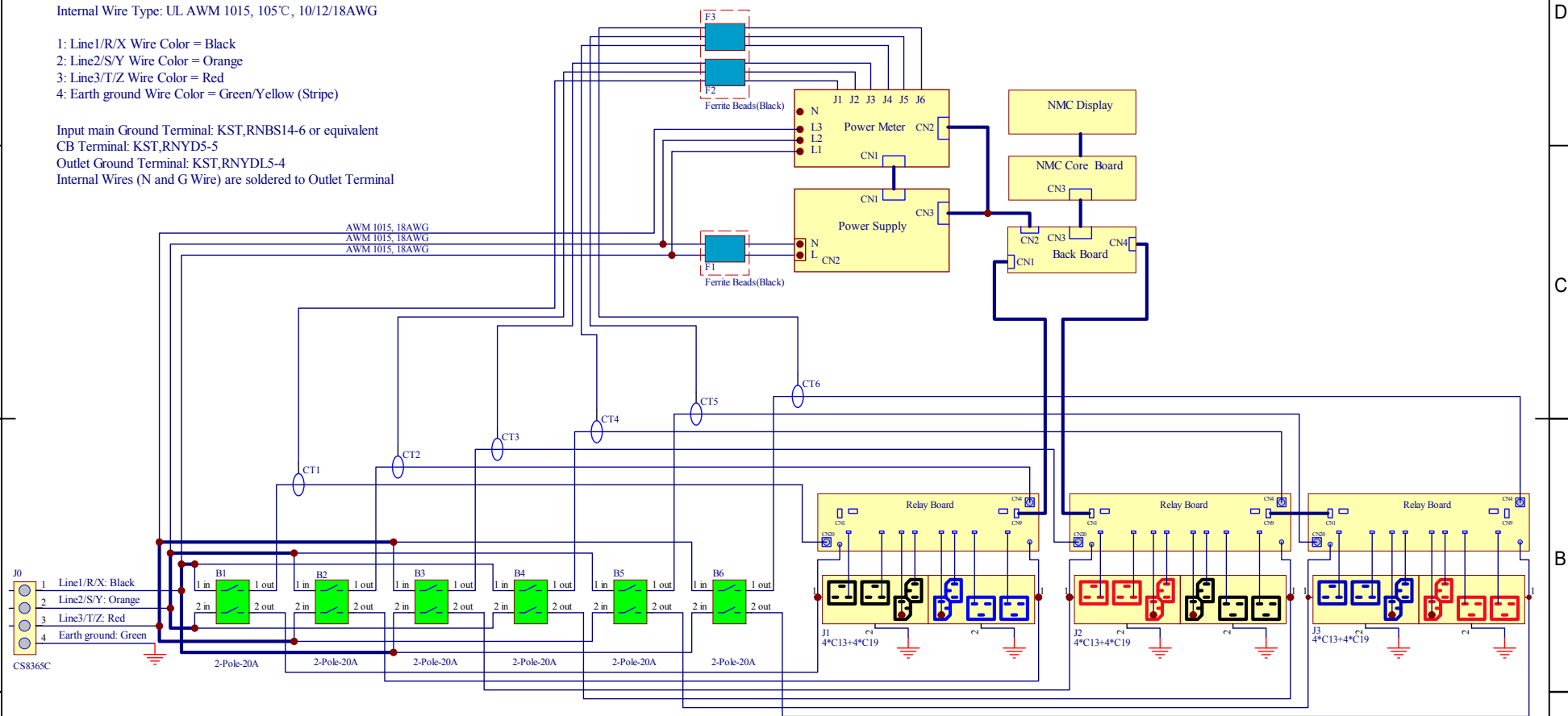
Input main Ground Terminal: KST,RNBS14-6 or equivalent

CB Terminal: KST,RNYD5-5

Outlet Ground Terminal: KST,RNYDL5-4

Internal Wires (N and G Wire) are soldered to Outlet Terminal


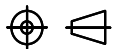
AWM 1015, 18AWG
AWM 1015, 18AWG
AWM 1015, 18AWG



Notes:

This drawing and its specifications are the property of ENCONNEX and shall not be copied, reproduced, or used in whole or in part, as the basis for the manufacture or sale of items without written permission from ENCONNEX. This drawing is based upon the latest available information and is subject to change without notice.

REV	REV DATE	DESCRIPTION	APPROVAL
A	2019-04-24	RELEASE	

<p>TOLERANCES LINEAR (mm) X = ± 1 X.X = ± 0.5 X.XX = ± 0.30 X.XXX = ± 0.130 ANGULAR X = 1° .X = 0.5° .XX = 0.25°</p>	MATERIAL:	 ENCONNEX 4670 AIRCENTER CIRCLE, RENO, NV 89502	PART NUMBER: ECX-SV1812120-K		
	DESCRIPTION:		DESCRIPTION: Wiring Scheme		
	DEBUR AND BREAK SHARP EDGES/CORNERS AT 0.2mm MAX	DRAWN BY: SAM DING	ORG DATE: 2019-04-24		
	UNITS: mm [in]	INTERPRET TO ASME Y14.100	APPROVED BY: R. FAULKNER	REV DATE:	
		SIZE: A4	SCALE: 1 : 1	SHEET: 1/1	REV: A