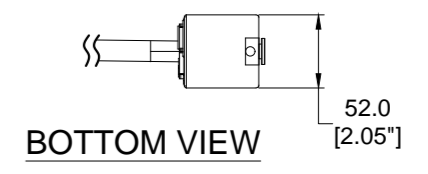
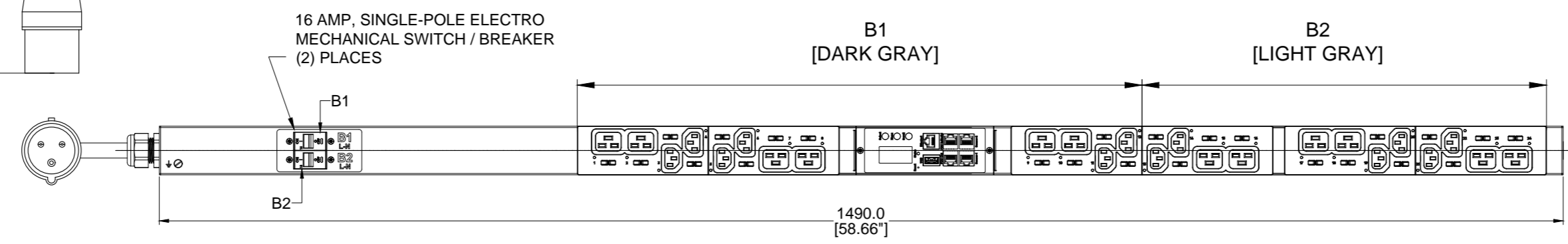
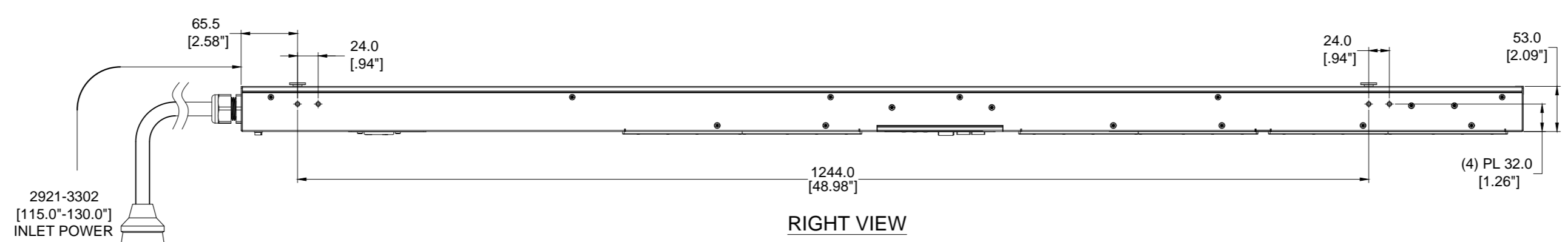
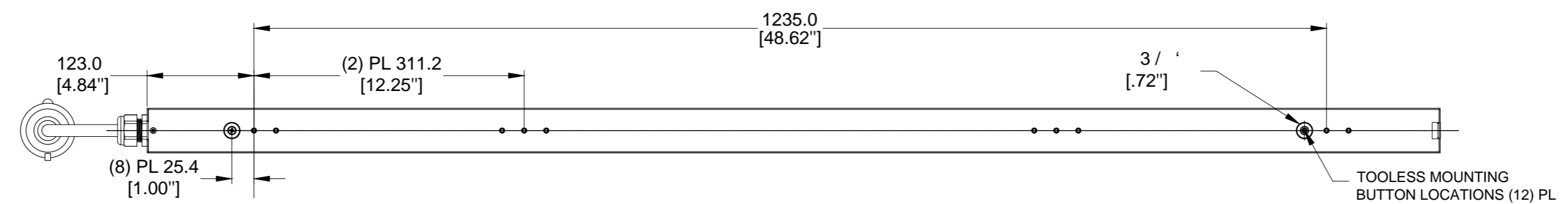
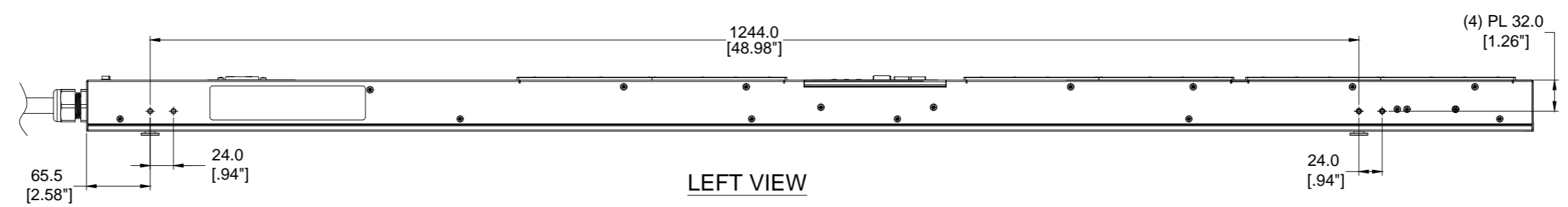


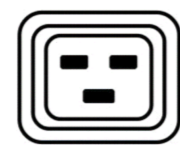
REV	REV DATE	DESCRIPTION	APPROVAL
A	2019-04-23	RELEASE	

Notes/Instructions:



PLUG/RECEPTACLE BLOCK

PLUG
IEC 60309, 2P 3W, 6H
IP44 (SPASHPROOF)
32A, 200-250V MAX RATED INPUT




RECEPTACLES
IEC 60320/C19
16A, 250V MAX RATED OUTPUT

RECEPTACLES
IEC 60320/C13
10A, 250V MAX RATED OUTPUT

UNIT TYPE: MONITORED SWITCHED
 ORIENTATION: VERTICAL, 0U MID
 OUTLET QTY&TYPE: (12) C13, (12) C19
 INPUT VOLTAGE: 200-240VAC
 INPUT CURRENT: 32A
 BREAKER QTY&TYPE: (2) 16AMP, SINGLE-POLE, 10KA
 INPUT PHASE: SINGLE-PHASE
 RATED POWER: 7.4kVA
 INPUT PLUG: IEC 60309 2P+E 6H 32A
 INPUT POWER CORD: 3m[10\"/>

Notes:
This drawing and its specifications are the property of ENCONNEX and shall not be copied, reproduced, or used in whole or in part, as the basis for the manufacture or sale of items without written permission from ENCONNEX. This drawing is based upon the latest available information and is subject to change without notice.

TOLERANCES LINEAR (mm) : : : : : : ANGULAR : : : : : : UNITS: mm [in]	MATERIAL:	 ENCONNEX 4670 AIRCENTER CIRCLE, RENO, NV 89502	PART NUMBER: ECX-SV1212121-P
DEBUR AND BREAK SHARP EDGES/CORNERS AT 0.2mm MAX INTERPRET TO ASME Y14.100	DESCRIPTION:		DESCRIPTION: 230V/32A, Single Phase, Strip Metered/Outlet Switched(332P6), 2: C13/C19, 2x16A 5kAIC breakers
APPROVED BY: R. FAULKNER	DRAWN BY: Leo Liu	ORG DATE: 2019-04-23	REV DATE:
SIZE: A2	SCALE: 1:1	SHEET: 1/1	REV: A

Notes/Instructions:

REV	REV DATE	DESCRIPTION	APPROVAL
A	2019-04-24	RELEASE	

ECX-SV1212121-P

Input Cable Type: H07RNF3G4

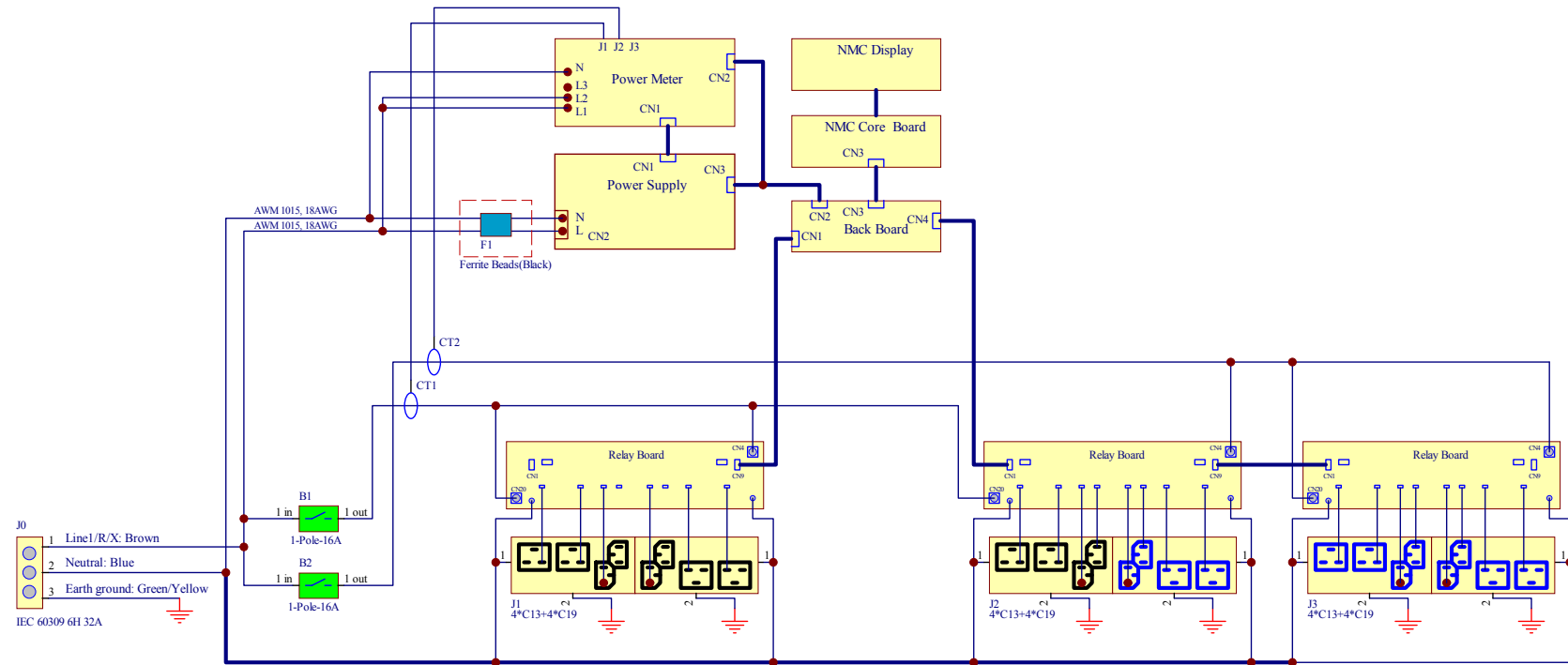
Internal Wire Type: UL AWM 1015, 105°C, 10/12/18AWG

- 1: Line1/R/X Wire Color = Brown
- 2: Neutral Wire Color = Blue
- 3: Earth ground Wire Color = Green/Yellow (Stripe)

Input main Ground Terminal and CB Terminal: KST,RNYD5-5


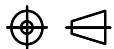
Outlet Ground Terminal: KST,RNYDL5-4

Internal Wires (N and G Wire) are soldered to Outlet Terminal



Notes:

This drawing and its specifications are the property of ENCONNEX and shall not be copied, reproduced, or used in whole or in part, as the basis for the manufacture or sale of items without written permission from ENCONNEX. This drawing is based upon the latest available information and is subject to change without notice.

TOLERANCES LINEAR (mm) X = ± 1 X.X = ± 0.5 X.XX = ± 0.30 X.XXX = ± 0.130 ANGULAR X = 1° .X = 0.5° .XX = 0.25°	MATERIAL:	 ENCONNEX 4670 AIRCENTER CIRCLE, RENO, NV 89502	PART NUMBER: ECX-SV1212121-P
	DESCRIPTION:		DESCRIPTION: Wiring Scheme
 DEBUR AND BREAK SHARP EDGES/CORNERS AT 0.2mm MAX	DRAWN BY: SAM DING	ORG DATE: 2019-04-24	REV DATE:
	UNITS: mm [in] INTERPRET TO ASME Y14.100	APPROVED BY: R. FAULKNER	SIZE: A4
		SHEET: 1/1	REV: A