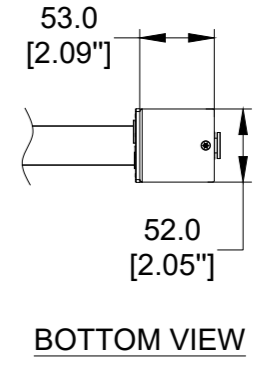
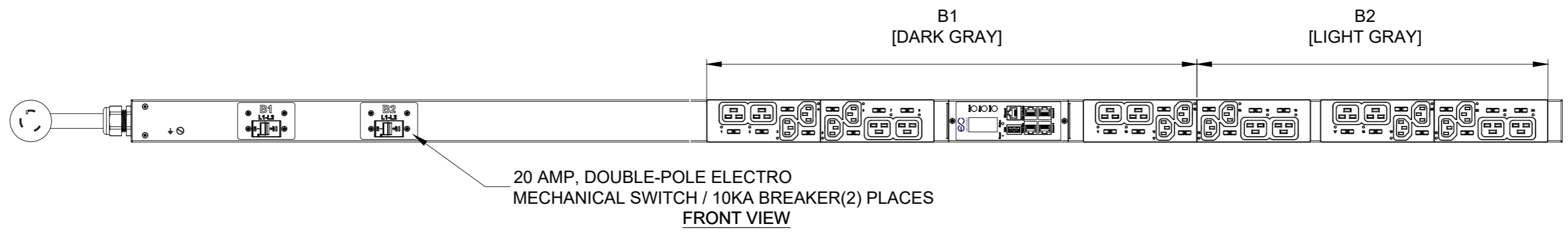
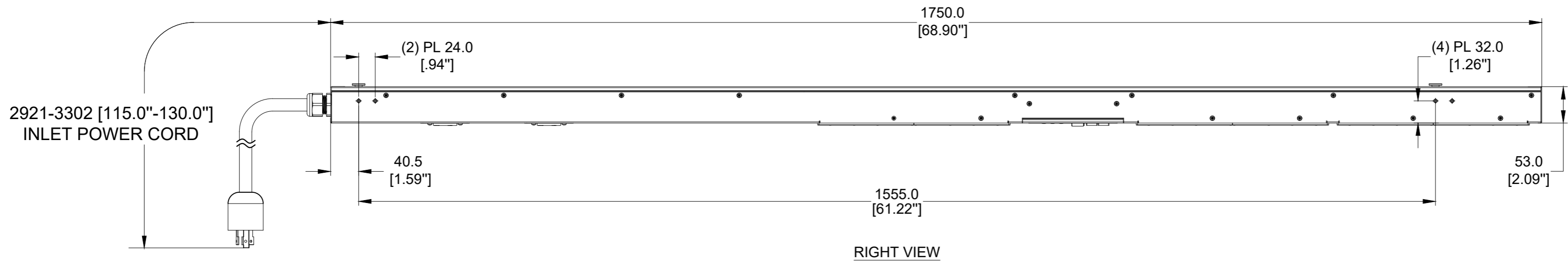
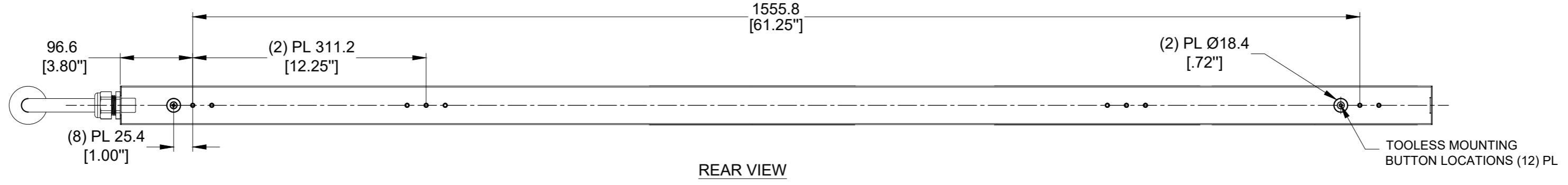
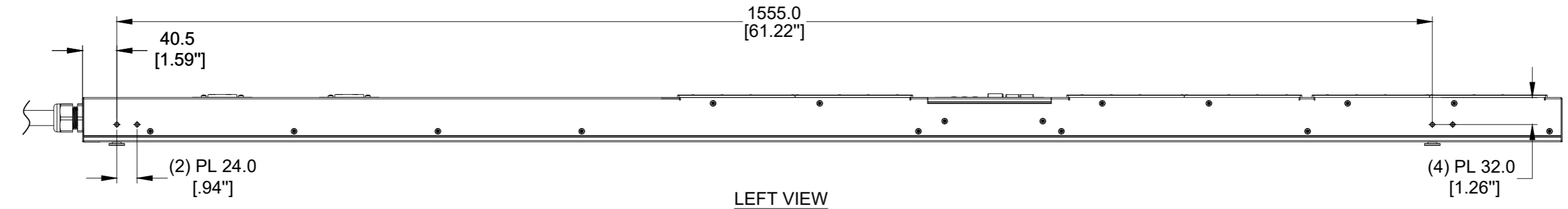


REV	REV DATE	DESCRIPTION	APPROVAL
A	2019-04-23	RELEASE	

Notes/Instructions:



**PLUG/RECEPTACLE BLOCK**

	<b>PLUG</b> NEMA L6-30P, 2P 3W 30A, 250V MAX RATED INPUT 24A DERATED
	<b>RECEPTACLES</b> IEC 60320/C19 16A, 250V MAX RATED OUTPUT
	<b>RECEPTACLES</b> IEC 60320/C13 10A, 250V MAX RATED OUTPUT

<b>UNIT TYPE:</b>	MONITORED SWITCHED
<b>ORIENTATION:</b>	VERTICAL, 0U FULL
<b>OUTLET QTY&amp;TYPE:</b>	(12) C13, (12) C19
<b>INPUT VOLTAGE:</b>	200-240VAC
<b>INPUT CURRENT:</b>	30A (24A DERATED)
<b>BREAKER QTY&amp;TYPE:</b>	(2) 20AMP, DOUBLE-POLE, 10KA
<b>INPUT PHASE:</b>	SINGLE-PHASE
<b>RATED POWER:</b>	5.0kVA
<b>INPUT PLUG:</b>	NEMA L6-30P
<b>INPUT POWER CORD:</b>	3m[10'], TOP FEED
<b>REGULATORY STANDARD:</b>	RoHS COMPLIANT

**Notes:**  
This drawing and its specifications are the property of ENCONNEX and shall not be copied, reproduced, or used in whole or in part, as the basis for the manufacture or sale of items without written permission from ENCONNEX. This drawing is based upon the latest available information and is subject to change without notice.

TOLERANCES LINEAR (mm) X = ± 1 XX = ± 0.5 XXX = ± 0.30 XXXX = ± 0.130 ANGULAR X = 1° XX = 0.5° XXX = 0.25°	MATERIAL:	 4670 AIRCENTER CIRCLE, RENO, NV 89502	PART NUMBER: ECX-SV1212120-E
	DESCRIPTION:		DESCRIPTION: 208V/30A, Single Phase, Strip Metered/Outlet Switched(L6-30P), 12 C13/12 C19, 200A 10KAIC breakers
 DEBUR AND BREAK SHARP EDGES/CORNERS AT 0.2mm MAX INTERPRET TO ASME Y14.100	DRAWN BY: Leo Liu	ORG DATE: 2019-04-23	REV DATE:
UNITS: mm [in]	SCALE: 1:1	SHEET: 1/1	REV: A

Notes/Instructions:

### ECX-SV1212120-E

Input Cable Type: SJT; 90°C; 300V; 10AWG; 3C

Internal Wire Type: UL AWM 1015, 105°C, 12/18AWG

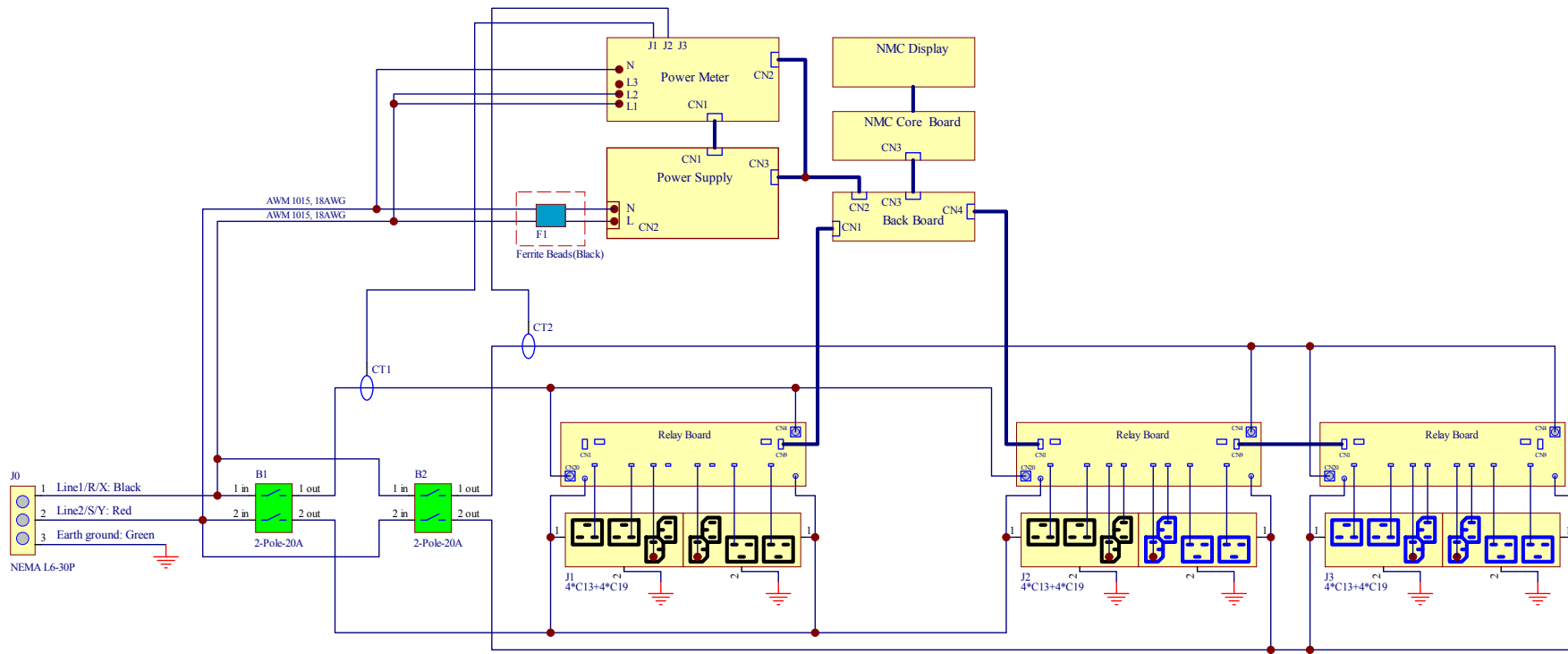
- 1: Line1/R/X Wire Color = Black
- 2: Line2/S/Y Wire Color = Red
- 3: Earth ground Wire Color = Green/Yellow (Stripe)

Input main Ground Terminal and CB Terminal: KST,RNYD5-5

Outlet Ground Terminal: KST,RNYDL5-4

Internal Wires (N and G Wire) are soldered to Outlet Terminal

REV	REV DATE	DESCRIPTION	APPROVAL
A	2019-04-24	RELEASE	



### Notes:

This drawing and its specifications are the property of ENCONNEX and shall not be copied, reproduced, or used in whole or in part, as the basis for the manufacture or sale of items without written permission from ENCONNEX. This drawing is based upon the latest available information and is subject to change without notice.

<p>TOLERANCES LINEAR (mm)</p> <p>X = ±1</p> <p>X.X = ±0.5</p> <p>X.XX = ±0.30</p> <p>X.XXX = ±0.130</p> <p>ANGULAR</p> <p>X = 1°</p> <p>.X = 0.5°</p> <p>.XX = 0.25°</p>	<p>MATERIAL:</p>	<p>4670 AIRCENTER CIRCLE, RENO, NV 89502</p>	<p>PART NUMBER: ECX-SV1212120-E</p>	
	<p>DESCRIPTION:</p>		<p>DESCRIPTION: Wiring Scheme</p>	
	<p>DEBUR AND BREAK SHARP EDGES/CORNERS AT 0.2mm MAX</p>	<p>DRAWN BY: SAM DING</p>	<p>ORG DATE: 2019-04-24</p>	
	<p>UNITS: mm [in]</p>	<p>INTERPRET TO ASME Y14.100</p>	<p>APPROVED BY: R. FAULKNER</p>	<p>REV DATE:</p>
		<p>SIZE: A4</p>	<p>SCALE: 1 : 1</p>	<p>SHEET: 1/1</p>
				<p>REV: A</p>