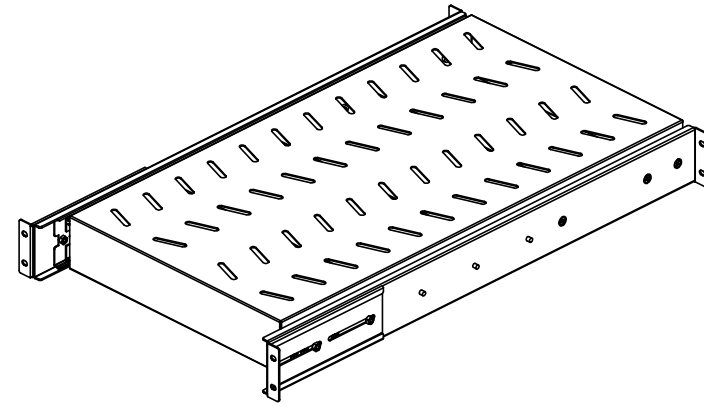
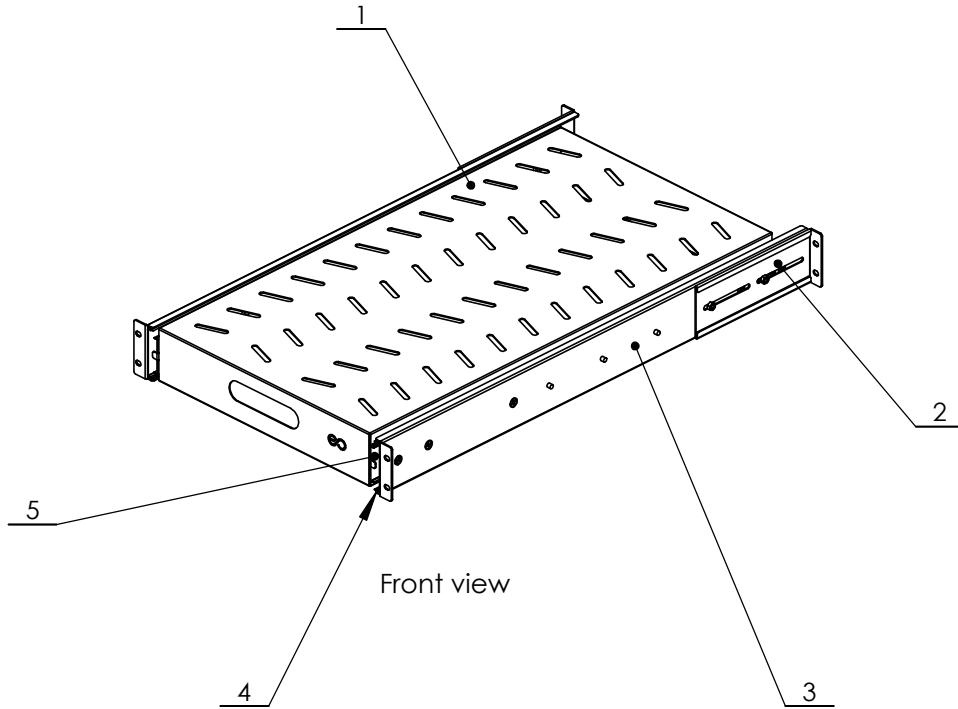



THIS DRAWING AND SPECIFICATIONS HEREIN ARE THE PROPERTY OF ENCONNEX LLC. AND SHALL NOT BE COPIED, REPRODUCED OR USED IN WHOLE OR IN PART, AS THE BASIS FOR THE MANUFACTURE OR SALE OF ITEMS WITHOUT THE WRITTEN PERMISSION OF ENCONNEX LLC. THIS DRAWING IS SUBJECT TO CHANGE WITHOUT NOTICE.

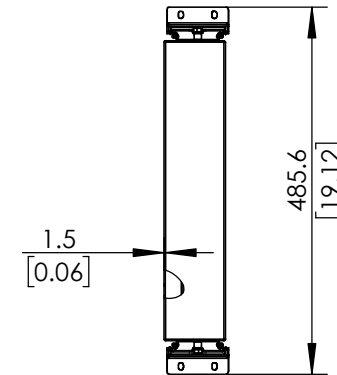
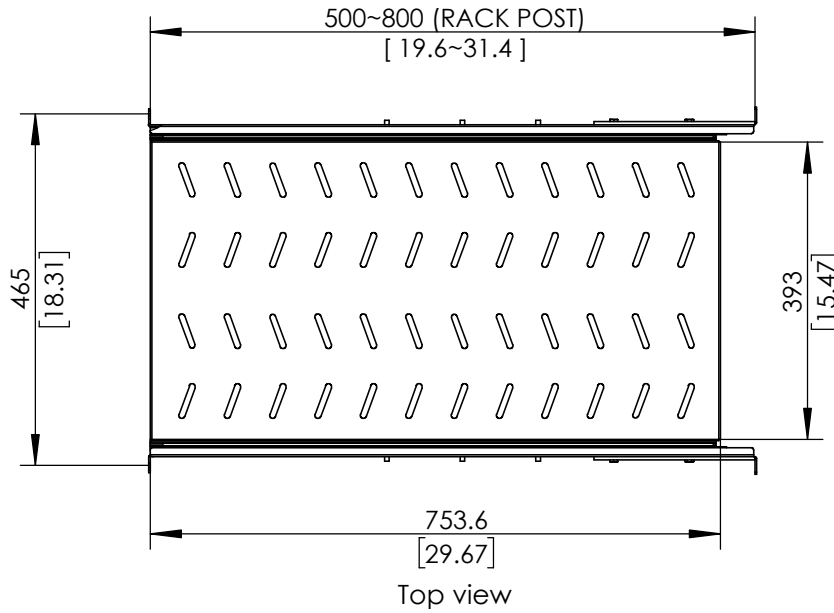
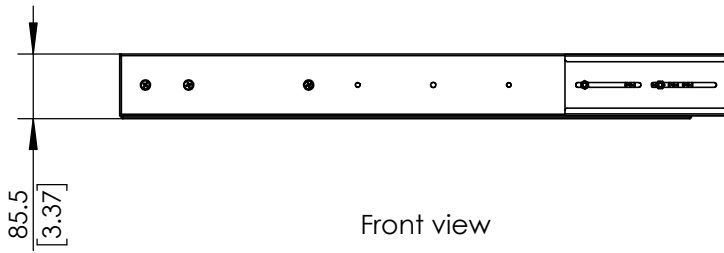
REVISIONS			
REV.	DESCRIPTION	DATE	APPROVED
A	FULL Released	2022/2/28	FANCY FAN




ITEM NO.	PART NUMBER	DESCRIPTION	QUANTITY
1	1M2-Y006	Shelf body ASM,CRS+Black powder coating,T=1.5mm	1
2	1M2-Y008	Beam ear,CRS+Black powder coating,T=2mm	2
3	1M2-Y007	Beam,CRS+Black powder coating,T=2mm	2
4	1M9-Y001-EXT	Guide outer rail(set)	1
5	1M9-Y001-INR	Guide outer rail(set)	1
6	2F2-Y003	Accessory bag	1

UNLESS NOTED, DIMENSIONS IN MILLIMETERS & TOLERANCES ARE:			PRODUCT LINE: Sliding shelf	
X. ±1 MM	X° ±1°		PART NUMBER: ECX-SSF-H750	
XX ±0.5 MM	XX° ±0.5°	4670 AIRCENTER CIRCLE, RENO, NV89502	DESCRIPTION: Sliding shelf, 750 shelf body for mounting rail from 500-800mm, 400lbs loading with rail.	
XXX ±0.20 MM			DRAWING FILE NAME ECX-SSF-H750	
ØX.X ±0.3 MM		3D MODEL FILE NAME ECX-SSF-H750		ENGINEER: Yifei Wang
ØX.XX ±0.10 MM		3D MODEL CONFIGURATION		ORG DATE: 2022/2/28
THIRD ANGLE PROJECTION		ITEM WEIGHT (REFERENCE ONLY)		DRAWN: Yifei Wang
UNITS:MM[IN]		INTERPRET TO ASME Y14.100		REV DATE: 2022/2/28
SIZE: B		SCALE:1:10		REV: A
DO NOT SCALE DRAWING		SHEET:1/3		

THIS DRAWING AND SPECIFICATIONS HEREIN ARE THE PROPERTY OF ENCONNEX LLC. AND SHALL NOT BE COPIED, REPRODUCED OR USED IN WHOLE OR IN PART, AS THE BASIS FOR THE MANUFACTURE OR SALE OF ITEMS WITHOUT THE WRITTEN PERMISSION OF ENCONNEX LLC. THIS DRAWING IS SUBJECT TO CHANGE WITHOUT NOTICE.



loading capacity:400lbs

UNLESS NOTED, DIMENSIONS IN MILLIMETERS & TOLERANCES ARE:			PRODUCT LINE: Sliding shelf	
X. ±1 MM	X° ±1°		PART NUMBER: ECX-SSF-H750	
XX ±0.5 MM	XX° ±0.5°	4670 AIRCENTER CIRCLE, RENO, NV89502	DESCRIPTION: Sliding shelf, 750 shelf body for mounting rail from 500-800mm, 400lbs loading with rail.	
XXX ±0.20 MM				
ØX.X ±0.3 MM		DRAWING FILE NAME ECX-SSF-H750		ENGINEER: Yifei Wang
ØX.XX ±0.10 MM		3D MODEL FILE NAME ECX-SSF-H750		DRAWN: Yifei Wang
		3D MODEL CONFIGURATION		ITEM WEIGHT (REFERENCE ONLY)
				REV: A
		UNITS:MM[IN]	INTERPRET TO ASME Y14.100	SIZE: B
		SCALE:1:10	DO NOT SCALE DRAWING	SHEET:2/3

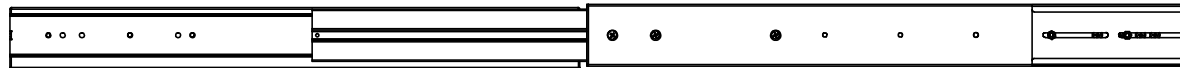
F  
E  
D  
C  
B  
A

F  
E  
D  
C  
B  
A

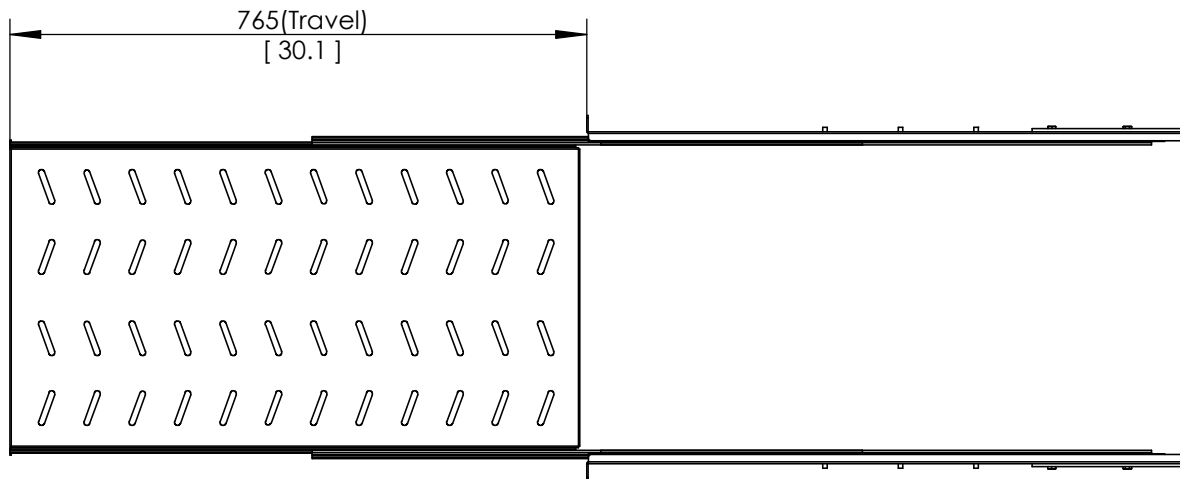
8 7 6 5 4 3 2 1

8 7 6 5 4 3 2 1

THIS DRAWING AND SPECIFICATIONS HEREIN ARE THE PROPERTY OF ENCONNEX LLC. AND SHALL NOT BE COPIED, REPRODUCED OR USED IN WHOLE OR IN PART, AS THE BASIS FOR THE MANUFACTURE OR SALE OF ITEMS WITHOUT THE WRITTEN PERMISSION OF ENCONNEX LLC. THIS DRAWING IS SUBJECT TO CHANGE WITHOUT NOTICE.




Front view



Top view



Side view

UNLESS NOTED, DIMENSIONS IN MILLIMETERS & TOLERANCES ARE:		 ENCONNEX 4670 AIRCENTER CIRCLE, RENO, NV89502	PRODUCT LINE: Sliding shelf	
X. ± 1 MM	X° ± 1°		PART NUMBER: ECX-SSF-H750	
X.X ± 0.5 MM	X.X° ± 0.5°	DESCRIPTION: Sliding shelf, 750 shelf body for mounting rail from 500-800mm, 400lbs loading with rail.		
X.XX ± 0.20 MM		DRAWING FILE NAME ECX-SSF-H750	ENGINEER: Yifei Wang	ORG DATE: 2022/2/28
ØX.X ± 0.3 MM		3D MODEL FILE NAME ECX-SSF-H750	DRAWN: Yifei Wang	REV DATE: 2022/2/28
ØX.XX ± 0.10 MM		3D MODEL CONFIGURATION	ITEM WEIGHT (REFERENCE ONLY)	
THIRD ANGLE PROJECTION		REV: A		
UNITS:MM[IN]	INTERPRET TO ASME Y14.100	SIZE: B	SCALE:1:10	DO NOT SCALE DRAWING
				SHEET:3/3