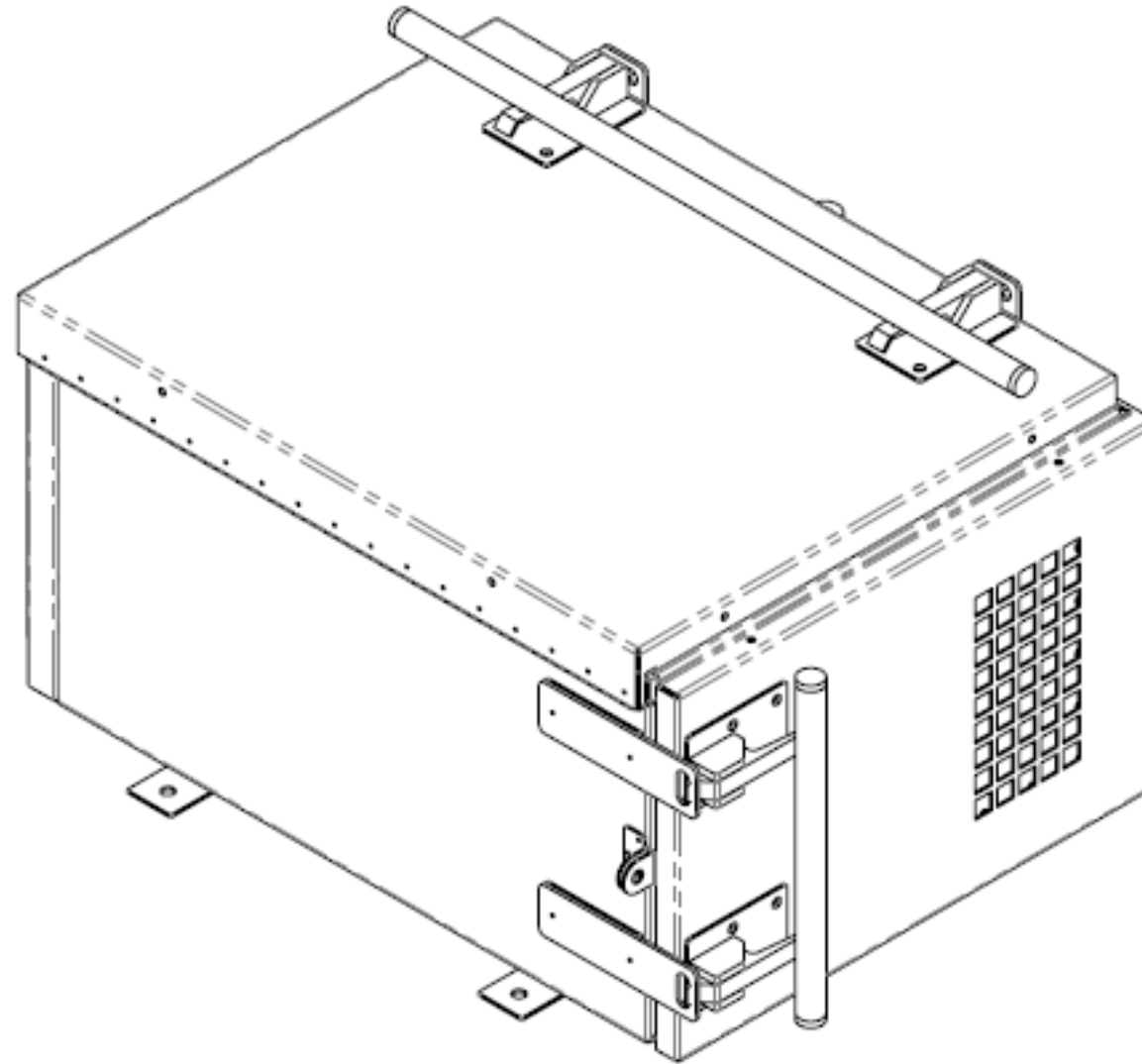




- NOTES:
 1. CAD CONTROLS DESIGN
 2. WEIGHT: 58.79 POUNDS - STANDARD
 81.25 POUNDS - EXTENDED
 3. PERFORMANCE: 90+DB ATTENUATION FROM 1MHZ TO 10GHZ
 4. CUSTOMIZATION OPTIONS OVERVIEW
 SIZE - DEPTH, HEIGHT
 IO - WAVEGUIDES, N-TYPE/SMA CONNECTORS
 POWER - PDU, CONNECTORS, AMERAGE, VOLTAGE
 ACCESSORIES - SHELVES, CABLE MANAGEMENT

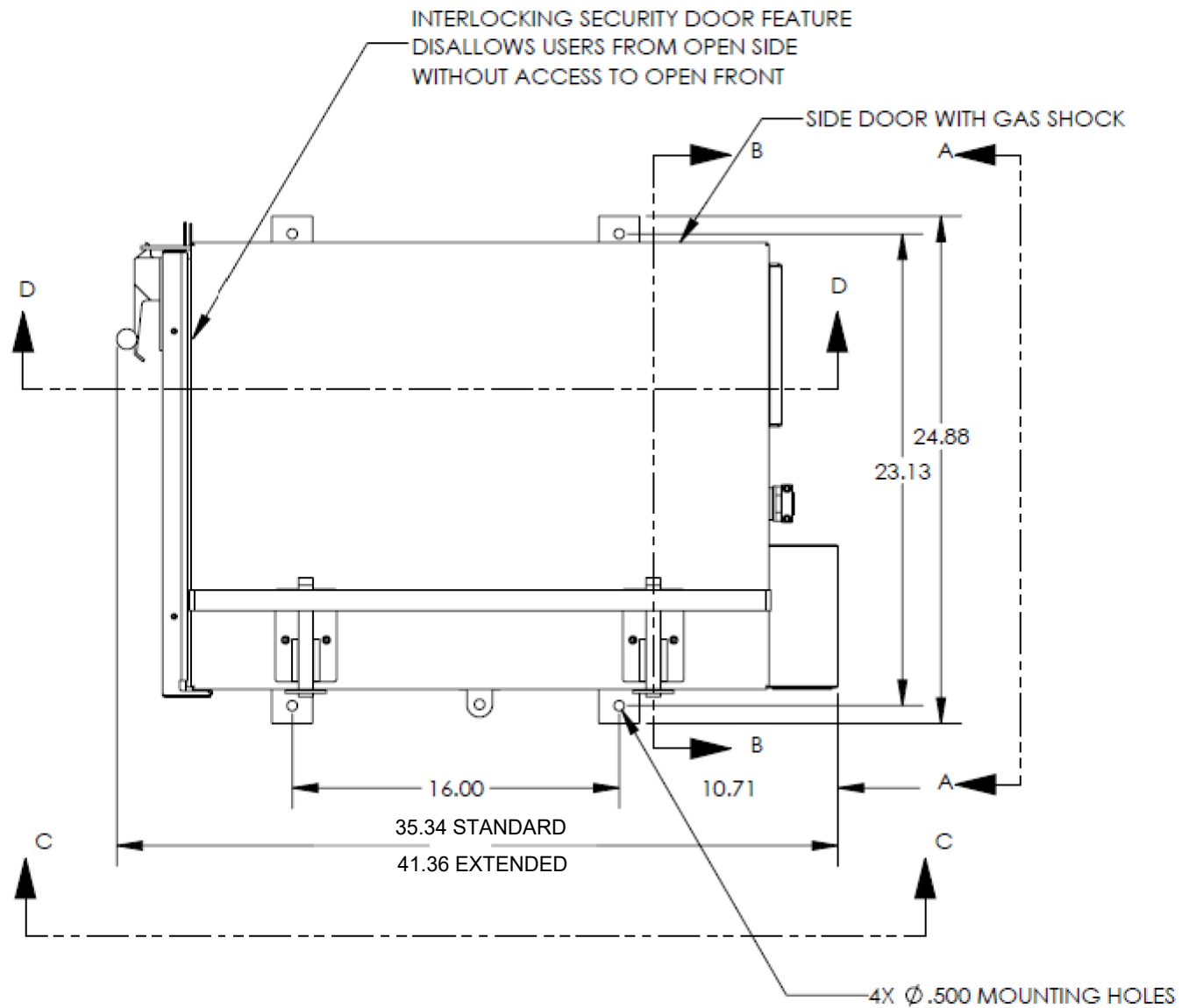
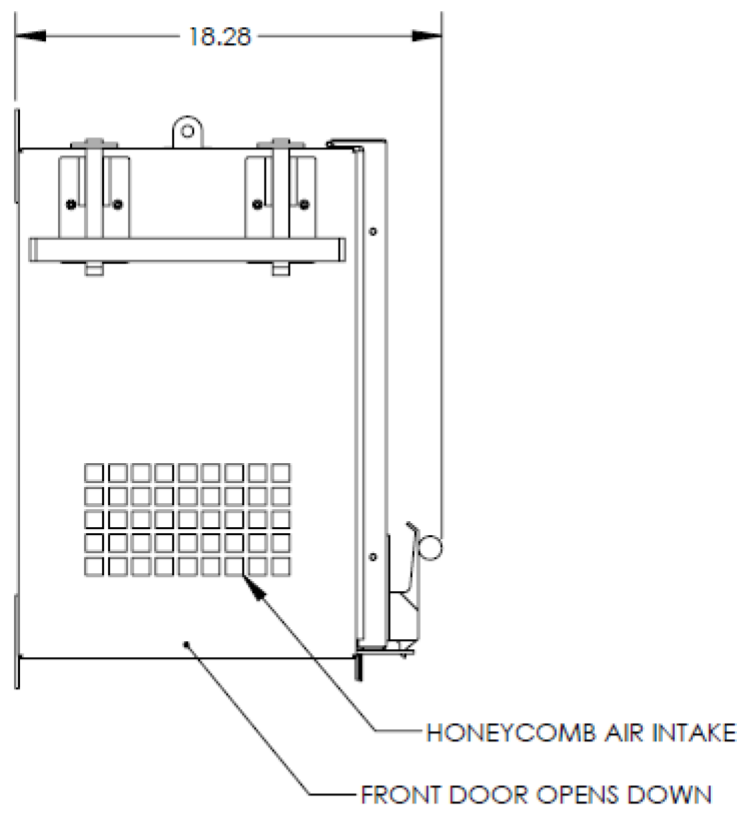
REV.	DESCRIPTION	DATE	APPROVED
------	-------------	------	----------



PROPRIETARY AND CONFIDENTIAL This drawing and its specifications are the property of ENCONNEX and shall not be copied, reproduced, or used in whole or in part, as the basis for the manufacture or sale of items without written permission from ENCONNEX. This drawing is based upon the latest available information and is subject to change without notice.	UNLESS OTHERWISE SPECIFIED X = ± 1 X.X = ± 0.5 X.XX = ± 0.30 X.XXX = ± 0.130 ANGULAR X = 1° .X = 0.5° .XX = 0.25°		 4670 AIRCENTER CIRCLE RENO, NV 89502	DESCRIPTION: WALLMOUNT RF ENCLOSURE			
	COMMENTS:			MATERIAL:			
			DRAWN BY: KOMAL PARAB 05/20/2022 APP. BY: YU ZHANG 05/20/2022	FINISH: CLASS:	SIZE: B SCALE: N/A	DRAWING NO: ECX-RFC-16307U-WM WEIGHT:	REV NO: A SHEET: 1 OF 3
	UNITS: mm [in]		INTERPRET TO ASME Y14.100		DEBURR AND BREAK SHARP EDGES/CONTOURS AT 0.2mm MAX		

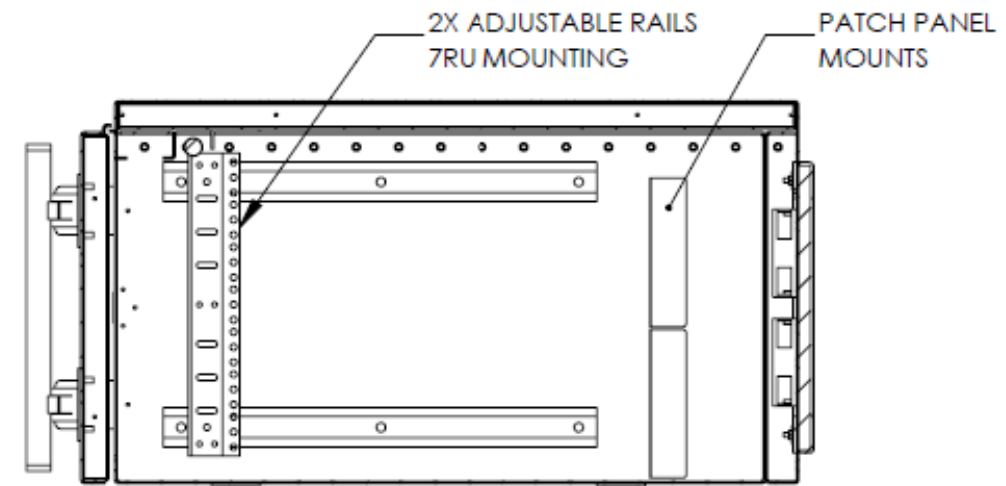
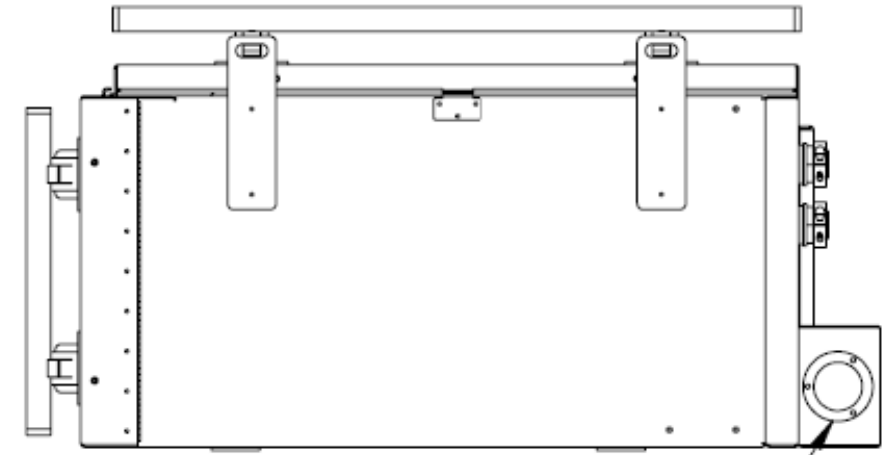
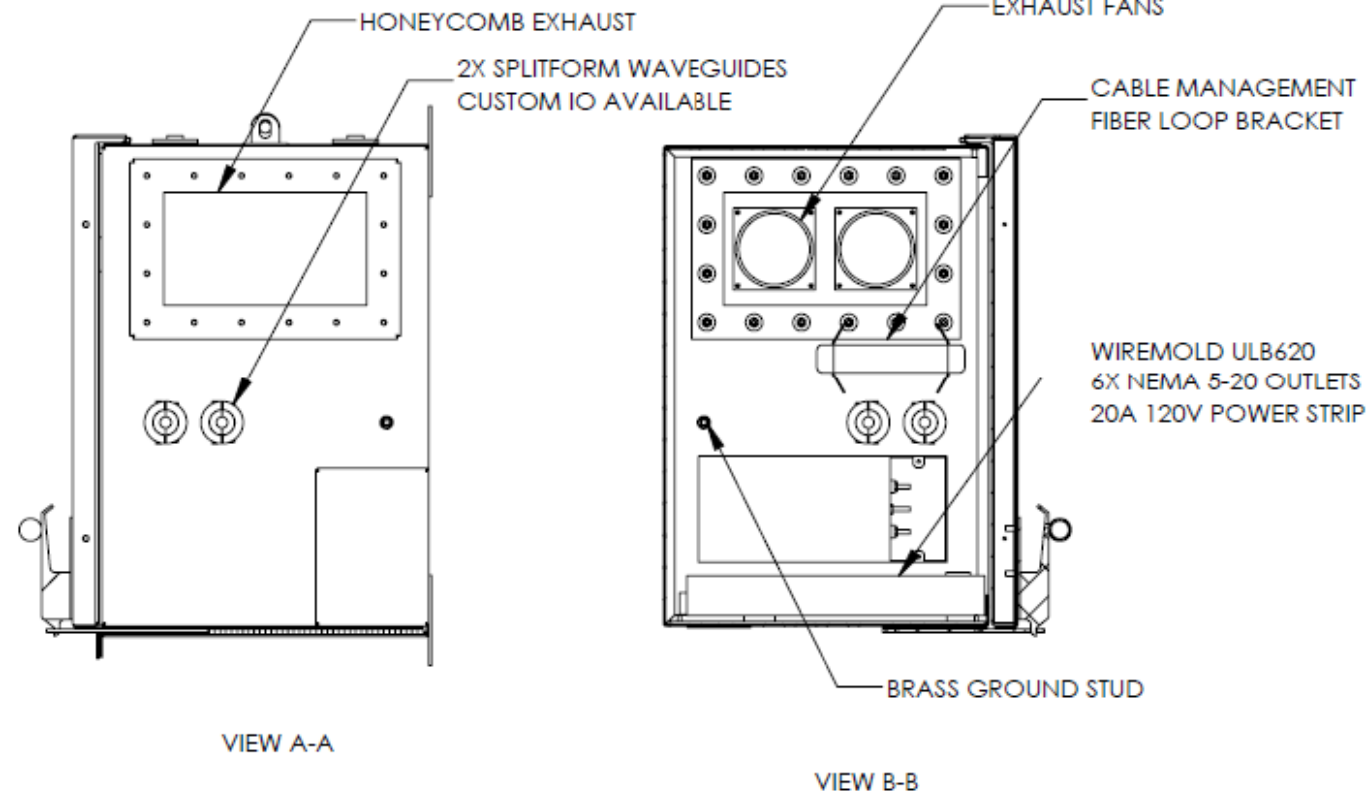
NOTES:

REV.	DESCRIPTION	DATE	APPROVED



<p>PROPRIETARY AND CONFIDENTIAL</p> <p>This drawing and its specifications are the property of ENCONNEX and shall not be copied, reproduced, or used in whole or in part, as the basis for the manufacture or sale of items without written permission from ENCONNEX. This drawing is based upon the latest available information and is subject to change without notice.</p>	<p>UNLESS OTHERWISE SPECIFIED</p> <p>X = ± 1 X.X = ± 0.5 X.XX = ± 0.30 X.XXX = ± 0.130 ANGULAR X = 1° .X = 0.5° .XX = 0.25°</p>		<p>4670 AIRCENTER CIRCLE RENO, NV 89502</p>	<p>DESCRIPTION:</p> <p>WALLMOUNT RF ENCLOSURE</p>																							
	<p>COMMENTS:</p>						<p>MATERIAL:</p>																				
	<p>UNITS: mm [in]</p>	<table border="1"> <thead> <tr> <th>NAME</th> <th>DATE</th> </tr> </thead> <tbody> <tr> <td>DRAWN BY KOMAL PARAB</td> <td>05/20/2022</td> </tr> <tr> <td>APP. BY YU ZHANG</td> <td>05/20/2022</td> </tr> </tbody> </table> <p>INTERPRET TO ASME Y14.100</p>	NAME	DATE	DRAWN BY KOMAL PARAB	05/20/2022	APP. BY YU ZHANG	05/20/2022	<table border="1"> <thead> <tr> <th>FINISH:</th> <th>CLASS:</th> </tr> </thead> <tbody> <tr> <td>DEBURR AND BREAK SHARP EDGES/CONTOURS AT 0.2mm MAX</td> <td> </td> </tr> </tbody> </table>	FINISH:	CLASS:	DEBURR AND BREAK SHARP EDGES/CONTOURS AT 0.2mm MAX		<table border="1"> <thead> <tr> <th>SIZE:</th> <th>DRAWING NO:</th> <th>REV NO:</th> </tr> </thead> <tbody> <tr> <td>B</td> <td>ECX-RFC-16307U-WM</td> <td>A</td> </tr> </tbody> </table>	SIZE:	DRAWING NO:	REV NO:	B	ECX-RFC-16307U-WM	A	<table border="1"> <thead> <tr> <th>SCALE:</th> <th>WEIGHT:</th> <th>SHEET:</th> </tr> </thead> <tbody> <tr> <td>N/A</td> <td> </td> <td>2 OF 3</td> </tr> </tbody> </table>	SCALE:	WEIGHT:	SHEET:	N/A		2 OF 3
	NAME	DATE																									
DRAWN BY KOMAL PARAB	05/20/2022																										
APP. BY YU ZHANG	05/20/2022																										
FINISH:	CLASS:																										
DEBURR AND BREAK SHARP EDGES/CONTOURS AT 0.2mm MAX																											
SIZE:	DRAWING NO:	REV NO:																									
B	ECX-RFC-16307U-WM	A																									
SCALE:	WEIGHT:	SHEET:																									
N/A		2 OF 3																									

NOTES:



REV.	DESCRIPTION	DATE	APPROVED

PROPRIETARY AND CONFIDENTIAL This drawing and its specifications are the property of ENCONNEX and shall not be copied, reproduced, or used in whole or in part, as the basis for the manufacture or sale of items without written permission from ENCONNEX. This drawing is based upon the latest available information and is subject to change without notice.	UNLESS OTHERWISE SPECIFIED X = ± 1 X.X = ± 0.5 X.XX = ± 0.30 X.XXX = ± 0.130 ANGULAR X = 1° .X = 0.5° .XX = 0.25°		 4670 AIRCENTER CIRCLE RENO, NV 89502	DESCRIPTION: <h2 style="text-align: center;">WALLMOUNT RF ENCLOSURE</h2>			
	COMMENTS:			MATERIAL:	SIZE: B	DRAWING NO: ECX-RFC-16307U-WM	REV NO: A
	 UNITS: mm [in]	DRAWN BY: KOMAL PARAB 05/20/2022 APP. BY: YU ZHANG 05/20/2022	FINISH: CLASS:	DEBURR AND BREAK SHARP EDGES/CONTOURS AT 0.2mm MAX	SCALE: N/A	WEIGHT:	SHEET: 3 OF 3
	INTERPRET TO ASME Y14.100						