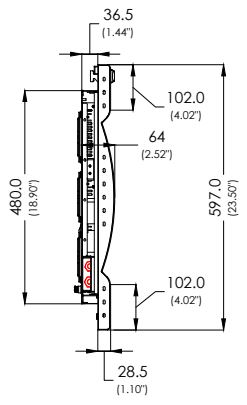
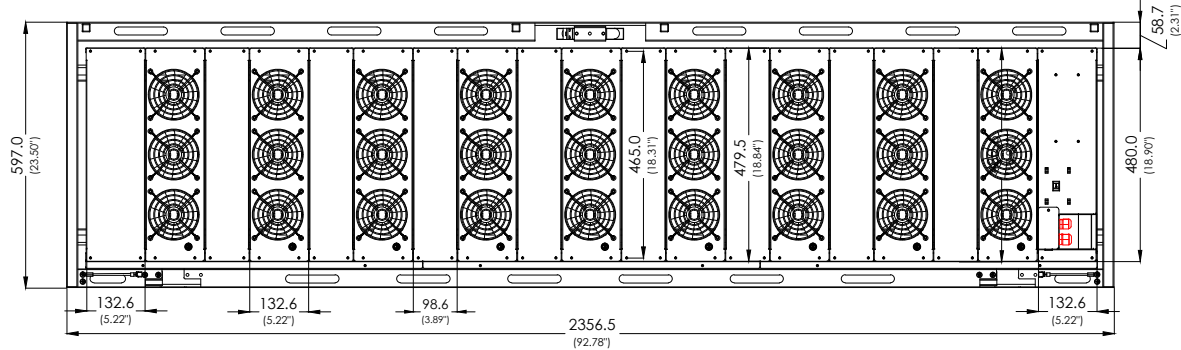
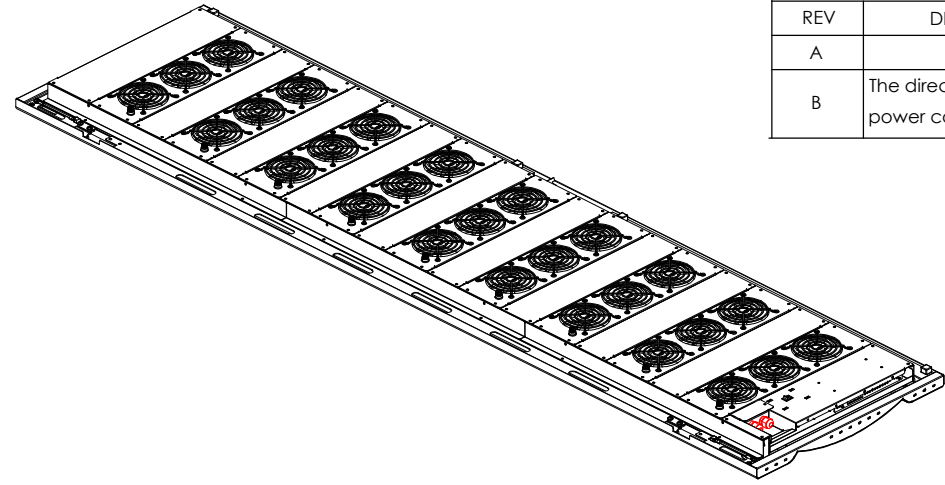


Autodesk

THIS DRAWING AND SPECIFICATIONS HEREIN ARE THE PROPERTY OF ENCONNEX LLC, AND SHALL NOT BE COPIED, REPRODUCED OR USED IN WHOLE OR IN PART, AS THE BASIS FOR THE MANUFACTURE OR SALE OF ITEMS WITHOUT THE WRITTEN PERMISSION OF ENCONNEX LLC. THIS DRAWING IS SUBJECT TO CHANGE WITHOUT NOTICE.

REVISIONS			
REV	DESCRIPTION	DATE	APPROVED
A	Release	2021.5.7	FANCY FAN
B	The direction of the main power cord changes	2021.7.12	FANCY FAN



Notes:

This drawing and its specifications are the property of ENCONNEX and shall not be copied, reproduced, or used in whole or in part, as the basis for the manufacture or sale of items without written permission from ENCONNEX. This drawing is based upon the latest available information and is subject to change without notice.

UNLESS NOTED, DIMENSIONS IN MILLIMETERS & TOLERANCES ARE: X ± 1 MM X° ± 1° XX ± 0.5 MM XX° ± 0.5° XXX ± 0.20 MM ØX.X ± 0.3 MM ØX.XX ± 0.10 MM		PRODUCT LINE: Fandoor	
		PART NUMBER: ECX-R52U-FANDOOR-V4-F/R	
	4670 AIRCENTER CIRCLE, REVQ, NV89502	DESCRIPTION: 52u fandoor	
		DRAWINGS FILE NAME ECX-R52U-FANDOOR-V4	ENGINEER: CARSON
THIRD ANGLE PROJECTION	3D MODEL CONFIGURATION	ITEM WEIGHT (REFERENCE ONLY)	REV: B
UNITS: MM (IN)	INTERPRET TO ASME Y14.100	SIZE: A	SCALE: 1:1 DO NOT SCALE DRAWING SHEET: 1/1