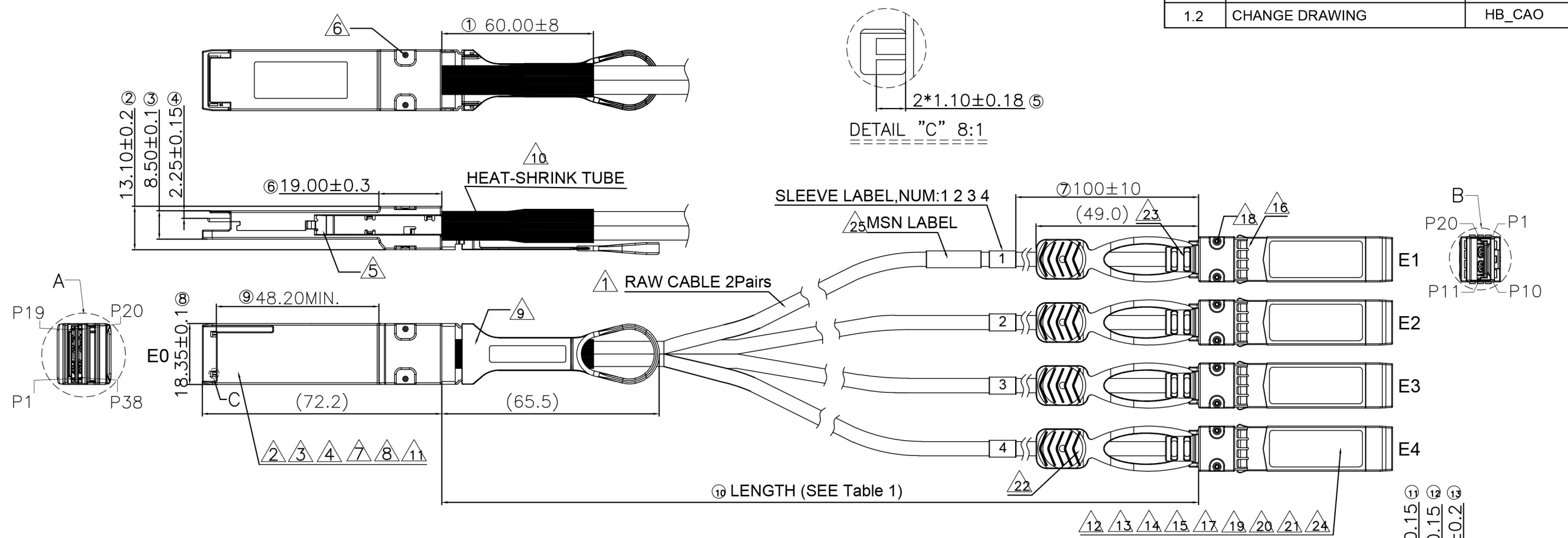
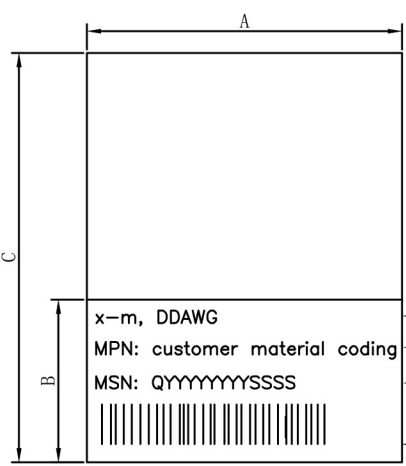


REV.	CONTENT	BY
1.1	CHANGE TITLE AND LABLE	HB_CAO
1.2	CHANGE DRAWING	HB_CAO



TYPE A

MSN Lable Information



MSN Lable types				
Project	CABLE LABLE			Cable Number
Size(mm)	A	B	C	DD
Cable types	A	B	C	DD
30/28AWG	31.0	13.0	33.0	30/28
26AWG	31.0	15.0	41.0	26

C Describe (x-m:CABLE LENGTH;DD:Cable number)
 Material coding
 Series number, Q:Series products;
 YYYYYYYY:8 digits after W0.; SSSS:Serial number
 Code 128, Contents:QYYYYYYYSSSS
 (Font:Arial, Height 8.0)

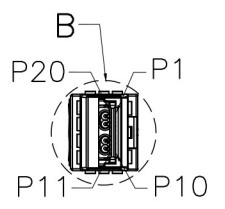
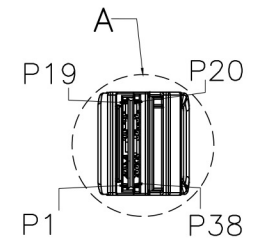
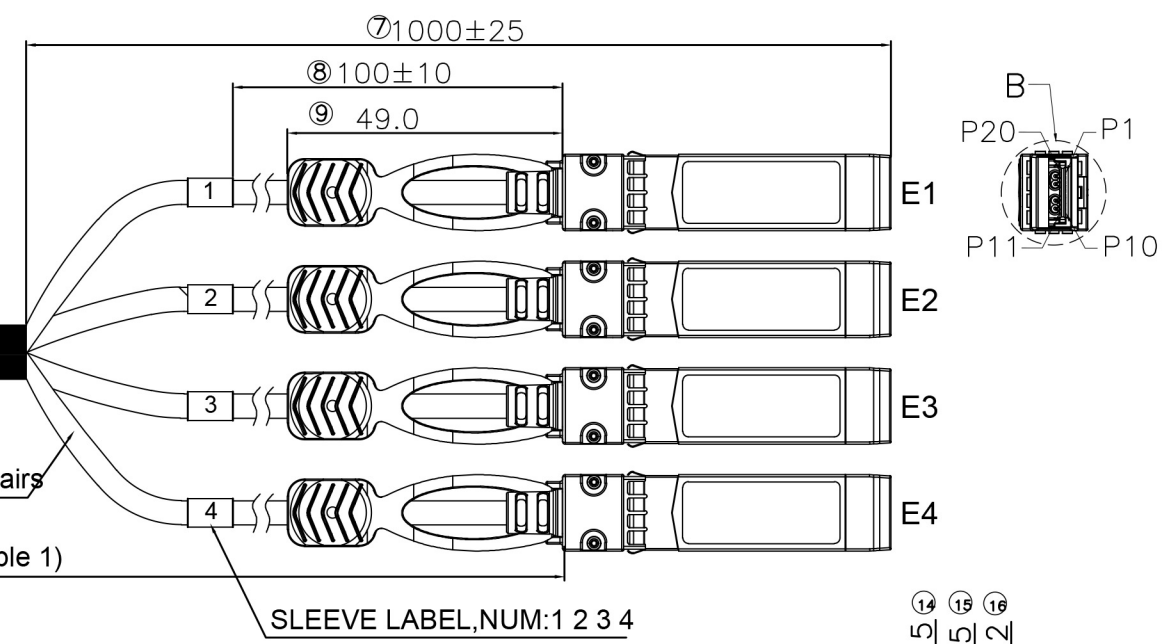
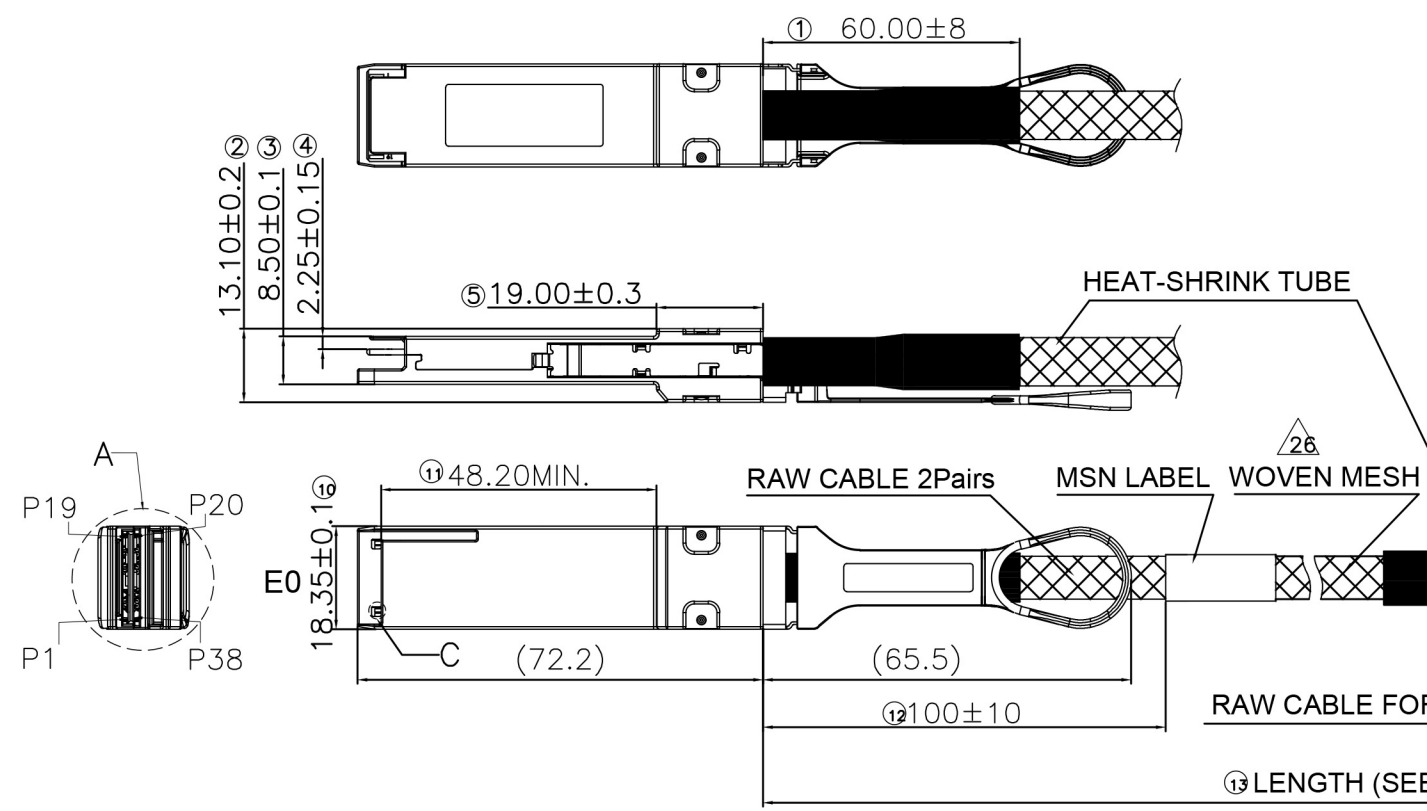
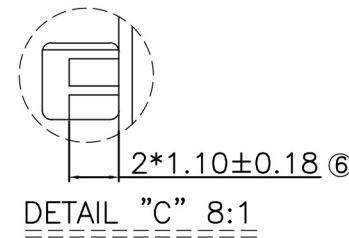
X. ±0.2	X° ±2°	UNITS mm	NAME(CUSTOMER USE)		
.X ±0.1	X° ±1.0°	MAT'L	PRODUCT NO. (CUSTOMER USE)		
.XX ±0.1	XX° ±1°	FINISH	See Table 1		
.XXX ±0.03	.XXX° ±0.5°	QTY	APPD: Nicky 2020.08.20		
THESE DRAWING AND SPECIFICATIONS ARE THE PROPERTY OF Enconnex SHALL NOT BE REPRODUCED COPIED OR USED IN ANY MANNER WITHOUT THE PRIOR WRITTEN CONSENT OF Enconnex			CHKD: Nicky 2020.08.20	TITLE: QSFP28 To 4*SFP28 Passive Cable Assembly DWG NO: ECX-QSFP28-4SFP28-DAC-MX-XM	
			DR: HB_CAO 2020.08.20		SCALE SHEET REV.
			1:1 1/5 1.2		

4

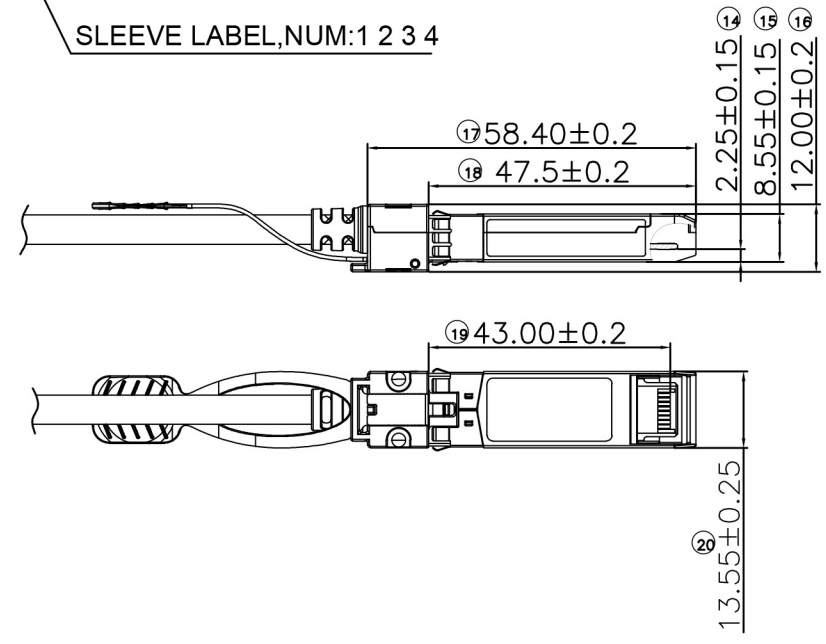
3

2

1



TYPE B



X. ±0.2	X° ±2°	UNITS mm	NAME(CUSTOMER USE)	
.X ±0.1	X° ±1.0°	MAT'L	PRODUCT NO. (CUSTOMER USE)	
.XX ±0.1	XX° ±1°	FINISH	See Table 1	
.XXX ±0.03	.XXX° ±0.5°	QTY	APPD: Nicky 2020.08.20 CHKD: Nicky 2020.08.20 DR: HB_CAO 2020.08.20	
THESE DRAWING AND SPECIFICATIONS ARE THE PROPERTY OF Enconnex SHALL NOT BE REPRODUCED COPIED OR USED IN ANY MANNER WITHOUT THE PRIOR WRITTEN CONSENT OF Enconnex			TITLE: QSFP28 To 4*SFP28 Passive Cable Assembly DWG NO: ECX-QSFP28-4SFP28-DAC-MX-XM	SCALE SHEET REV. 1:1 2/5 1.2

NOTES(说明):

1.DIFFERENTIAL IMPEDANCE(差分阻抗) :

RISE TIME (上升时间) :25ps(20%~80%) ,RAW CABLE(线材) : 100⁺¹⁰₋₅ ohm;

PROCESSING AREA AND MATED CONNECTOR: 100⁺¹⁰₋₂₀ ohm.

(加工区域与金手指接触区规格: 100⁺¹⁰₋₂₀ ohm.)

2.100% OPEN,SHORT&INTERMITANCE TEST.

(产品必须100%进行断路.短路及间隙性接触测试)

3.THE DIMENSIONS MARKED"⊗"SHALL BE CHECKED.

(标注"⊗"的尺寸必须重点检验)

4.HIGH-FREQUENCY TEST ACCORDING TO IEEE802.3bj STANDARD.

(高频测试依IEEE802.3bj 标准测试)

5.SI SHALL BE TESTED IN 100%, EEPROM WITH UNLOCK REQUIRED 100% CHECK.

(SI须100%测试, EEPROM与解锁需100%检验)

6.ALL MATERIALS MUST COMPLY WITH RoHS2.0.

(所有物料必须符合RoHS2.0)

7.COMPLIANT TO INDUSTRY STANDARDS:SFP+_SFF-8432 AND QSFP+_SFF-8661

(符合行业标准:SFP+_SFF-8432与QSFP+_SFF-8661)

8.PRODUCT LABELS AND PACKAGING LABEL DATE AND SERIAL NUMBER SHOULD BE CONSISTENT.

(产品标签与包装标签日期及流水号需保持一致)


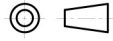
ZQP PORT

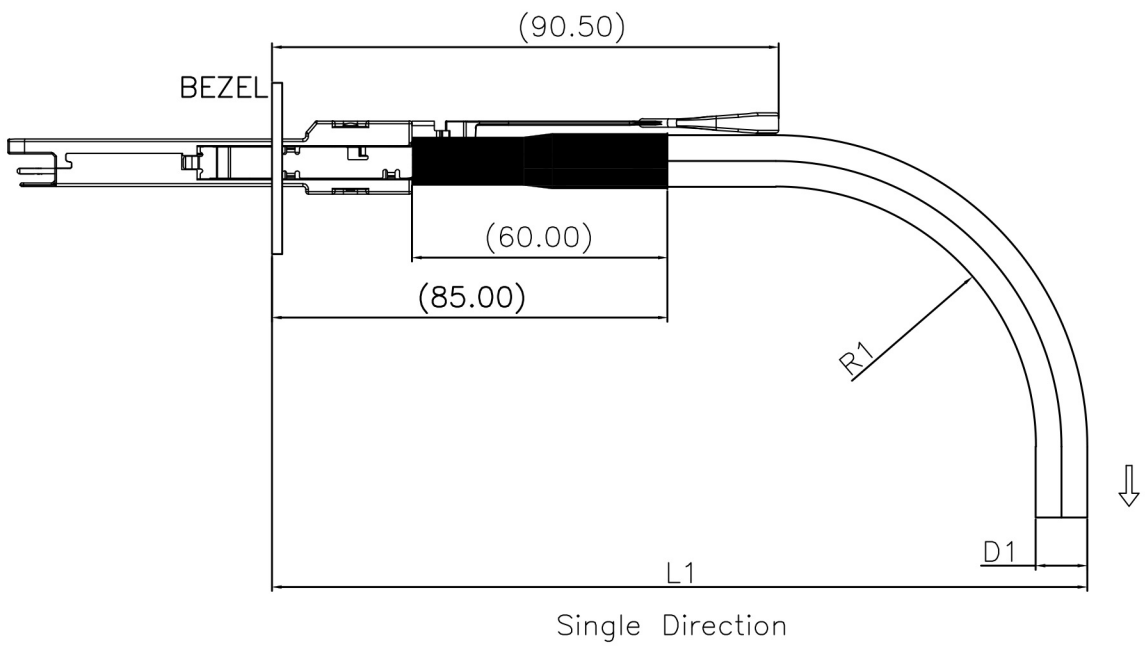
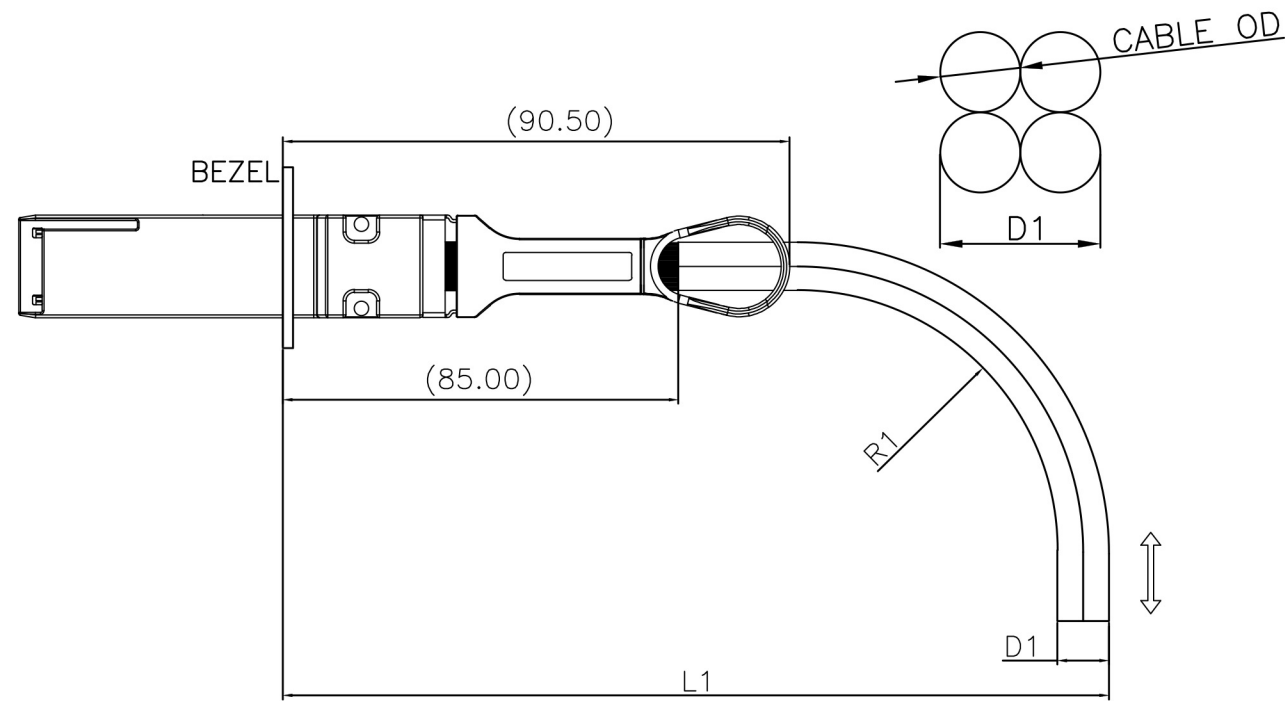
ITEM	NAME	DESCRIPTION	Q'TY	UNIT
11	COPPER FOIL	COPPER FOIL W=7.0MM	A/R	M
10	HEAT-SHRINK TUBE	ID=12.7MM,BLACK,VW-1	A/R	M
9	PULL TAB	THERMOPLASTIC POLYMER,UL94V-0.	1	PCS
8	INNER MOLD	HOTMELT RESIN	A/R	KG
7	CIRCULAR SPRING	STAINLESS STEEL,OD=1.40MM	1	PCS
6	RIVET	STAINLESS STEEL,OD=1.60MM	2	PCS
5	LATCH	STAINLESS STEEL,T=0.50MM	1	PCS
4	BOTTOM SHELL	ZINC ALLOY,NICKEL PLATED OVERALL	1	PCS
3	UPPER SHELL	ZINC ALLOY,NICKEL PLATED OVERALL	1	PCS
2	PCB CONN.	QSFP28 PCBA 38P,GOLD PLATED CONTACT PADS	1	PCS
1	RAW CABLE	SFP28 30/28/26AWG,PVC,BLACK,RoHS2.0	A/R	M

ZSP PORT

ITEM	NAME	DESCRIPTION	Q'TY	UNIT
26	WOVEN MESH	PET BLACK,VW-1 FOR TYPE B	A/R	M
25	LABEL	SEE THE:MSN LABLE TYPES	1	PCS
24	COPPER FOIL	COPPER FOIL W=5.0MM	A/R	M
23	SR	TPU BLACK	4	PCS
22	PULL TAB	THERMOPLASTIC POLYMER,UL94V-0.	4	PCS
21	INNER MOLD	HOTMELT RESIN	A/R	KG
20	U-SHAPED SPRING	STAINLESS STEEL,OD=0.50MM	4	PCS
19	CIRCULAR SPRING	STAINLESS STEEL,OD=1.50MM	4	PCS
18	RIVET	STAINLESS STEEL,OD=1.60MM	8	PCS
17	INSERT PIN	STAINLESS STEEL,OD=1.16MM	4	PCS
16	EMI SPRING	STAINLESS STEEL,T=0.15MM	4	PCS
15	LATCH	ZINC ALLOY,NICKEL PLATED OVERALL	4	PCS
14	BOTTOM SHELL	ZINC ALLOY,NICKEL PLATED OVERALL	4	PCS
13	UPPER SHELL	ZINC ALLOY,NICKEL PLATED OVERALL	4	PCS
12	PCB CONN.	SFP28 PCBA 20P,GOLD PLATED CONTACT PADS	4	PCS

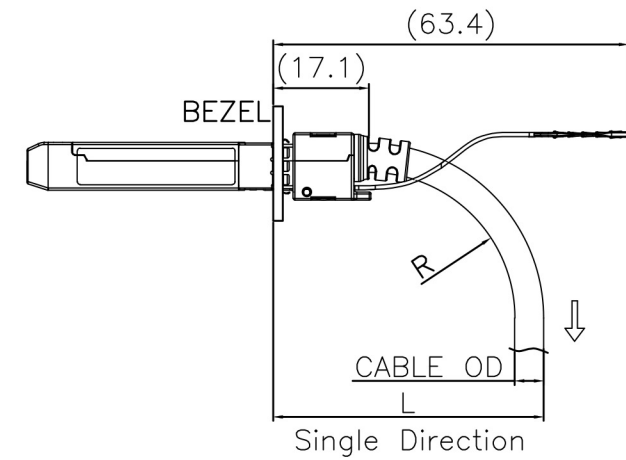
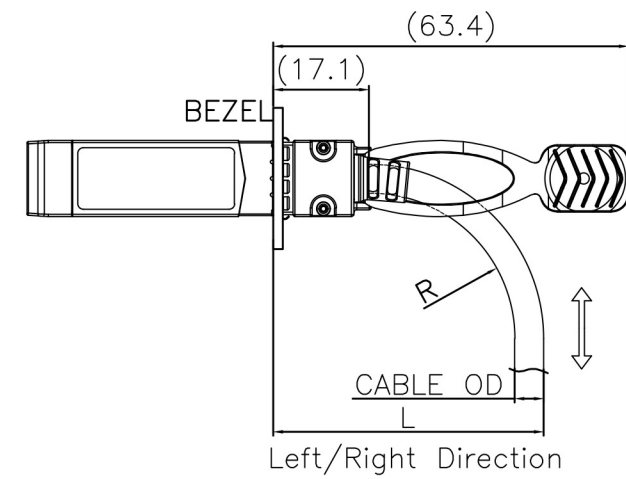
ITEM	NAME	DESCRIPTION	Q'TY	UNIT
X.	±0.2	X° ±2°	UNITS	mm
.X	±0.1	X° ±1.0°	MAT'L	
.XX	±0.1	XX° ±1°	FINISH	
.XXX	±0.03	.XXX° ±0.5°	Q'TY	

THESE DRAWING AND SPECIFICATIONS ARE THE PROPERTY OF Enconnex SHALL NOT BE REPRODUCED COPIED OR USED IN ANY MANNER WITHOUT THE PRIOR WRITTEN CONSENT OF Enconnex		NAME(CUSTOMER USE)	 ENCONNEX
PRODUCT NO. (CUSTOMER USE)		TITLE: QSFP28 To 4*SFP28 Passive Cable Assembly	
APPD: Nicky 2020.08.20		DWG NO: ECX-QSFP28-4SFP28-DAC-MX-XM	
CHKD: Nicky 2020.08.20		SCALE SHEET REV. 1:1 3/5 1.2	
DR: HB_CAO 2020.08.20			



ASSEMBLY BEND RADIUS & INSTALL RADIUS(ZQP PORT)

CABLE GAUGE	DIAMETER"OD"	DIAMETER"D1"	MIN. BEND RADIUS"R1"	MIN. BEND SPACE"L1"
30AWG	4.6mm	9.2mm	46.0mm	140.2mm
28AWG	4.95mm	9.9mm	49.5mm	144.4mm
26AWG	5.6mm	11.2mm	56.0mm	152.2mm



ASSEMBLY BEND RADIUS & INSTALL RADIUS(ZSP PORT)

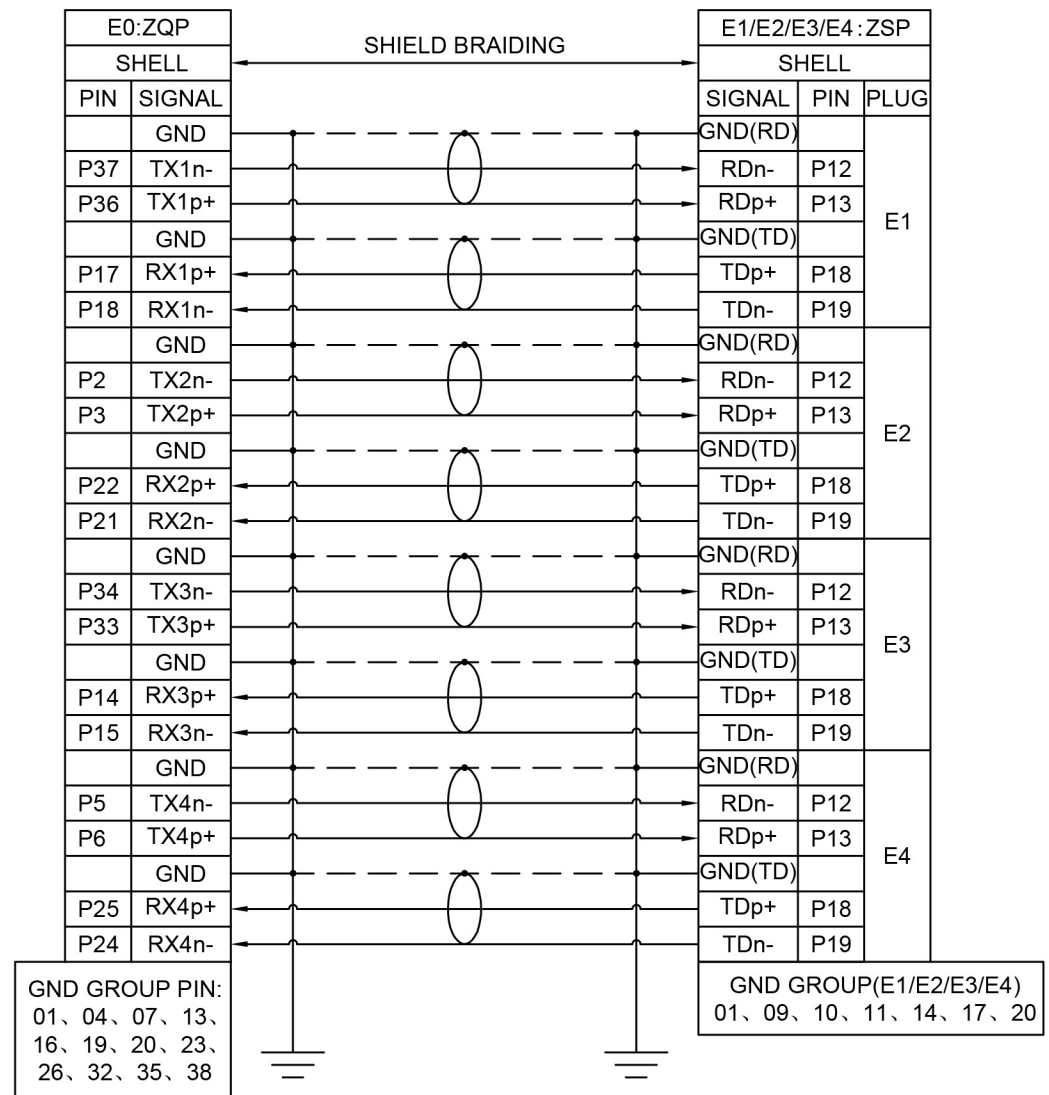
CABLE GAUGE	DIAMETER"OD"	MIN. BEND RADIUS"R"	MIN. BEND SPACE"L"
30AWG	4.6mm	23.0mm	44.7mm
28AWG	4.95mm	24.75mm	46.8mm
26AWG	5.6mm	28.0mm	50.7mm

X. ±0.2	X° ±2°	UNITS mm	NAME(CUSTOMER USE)	
.X ±0.1	X° ±1.0°	MAT'L	PRODUCT NO. (CUSTOMER USE)	
.XX ±0.1	XX° ±1°	FINISH	See Table 1	
.XXX ±0.03	.XXX° ±0.5°		APPD: Nicky 2020.08.20	
THESE DRAWING AND SPECIFICATIONS ARE THE PROPERTY OF Enconnex SHALL NOT BE REPRODUCED COPIED OR USED IN ANY MANNER WITHOUT THE PRIOR WRITTEN CONSENT OF Enconnex			Q'TY	TITLE: QSFP28 To 4*SFP28 Passive Cable Assembly DWG NO: ECX-QSFP28-4SFP28-DAC-MX-XM
			CHKD: Nicky 2020.08.20	SCALE SHEET REV. 1:1 4/5 1.2
			DR: HB_CAO 2020.08.20	

TABLE 1:

ITEM	DESCRIPTION	LENGTH	CABLE AWG	CONNECTION TYPE
1	100GBase-CR4 DAC Cable, 0.5-m, Passive, 30AWG, MCU(Q), EEPROM(S)	500±20mm	30AWG	A
2	100GBase-CR4 DAC Cable, 1-m, Passive, 30AWG, MCU(Q), EEPROM(S)	1000±30mm	30AWG	A
3	100GBase-CR4 DAC Cable, 1.5-m, Passive, 30AWG, MCU(Q), EEPROM(S)	1500±30mm	30AWG	A
4	100GBase-CR4 DAC Cable, 2-m, Passive, 30AWG, MCU(Q), EEPROM(S)	2000±30mm	30AWG	A
5	100GBase-CR4 DAC Cable, 2.5-m, Passive, 30AWG, MCU(Q), EEPROM(S)	2500±30mm	30AWG	A
6	100GBase-CR4 DAC Cable, 3-m, Passive, 30AWG, MCU(Q), EEPROM(S)	3000±30mm	30AWG	B
7	100GBase-CR4 DAC Cable, 3-m, Passive, 28AWG, MCU(Q), EEPROM(S)	3000±30mm	28AWG	B
8	100GBase-CR4 DAC Cable, 3.5-m, Passive, 28AWG, MCU(Q), EEPROM(S)	3500±30mm	28AWG	B
9	100GBase-CR4 DAC Cable, 4-m, Passive, 28AWG, MCU(Q), EEPROM(S)	4000±50mm	28AWG	B
10	100GBase-CR4 DAC Cable, 4-m, Passive, 26AWG, MCU(Q), EEPROM(S)	4000±50mm	26AWG	B
11	100GBase-CR4 DAC Cable, 5-m, Passive, 26AWG, MCU(Q), EEPROM(S)	5000±60mm	26AWG	B

WRING DIAGRAM



ELECTRICAL PERFORMANCE
 · WORKING VOLTAGE: 3.3V
 · CURRENT RATING: 0.5A MAX. PER CONTACT
 · INSERTION LOSS (SDD21),(INCLUDED FIXTURE):REFERENCE IEEE802.3bj STANDARD. -22.48dB MIN.FOR 12.89GHZ.

ENVIRONMENTAL
 · OPERATING TEMPERATURE : -0°C TO +70°C
 · STORAGE TEMPERATURE:-40°C TO +85°C ,RELATIVE HUMIDITY<80%
 · GUARANTEE PERIOD:6 MONTHS

MECHANICAL PERFORMANCE
 · DURABILITY: 50 CYCLES
 · CABLE PLUG INSERTION FORCE: Q:40N MAX.,S:18N MAX.
 · CABLE PLUG EXTRACTION FORCE:Q:30N MAX.,S:12.5N MAX.
 · LATCH/PULL TAB RETENTION FORCE:Q:125N MIN.,S:70N MIN.,1MINUTE MIN.
 · CABLE PLUG RETENTION IN CAGE :Q:125N MIN.,S:90N MIN.,1MINUTE MIN.
 · CABLE RETENTION:Q/S:90N/1MINUTE MIN.

LOW SPEED SIGNALS

ZQP		ZSP	
PIN	SIGNAL	SIGNAL	PIN
P8	ModSelL	Tx_Fault	P2
P9	ResetL	Tx_Disable	P3
P10	Vcc Rx	SDA	P4
P11	SCL	SCL	P5
P12	SDA	Mod_ABS	P6
P27	ModPrsL	RS0	P7
P28	IntL	Rx_LOS	P8
P29	Vcc Tx	RS1	P9
P30	Vcc1	VccR	P15
P31	LPMode	VccT	P16

X.	±0.2	X°	±2°	UNITS	NAME(CUSTOMER USE)
.X	±0.1	X°	±1.0°	mm	ENCONNEX
.XX	±0.1	XX°	±1°	MAT'L	
.XXX	±0.03	.XXX°	±0.5°	FINISH	
THESE DRAWING AND SPECIFICATIONS ARE THE PROPERTY OF Enconnex SHALL NOT BE REPRODUCED COPIED OR USED IN ANY MANNER WITHOUT THE PRIOR WRITTEN CONSENT OF Enconnex					QTY
PRODUCT NO. (CUSTOMER USE)					See Table 1
APPD:					Nicky 2020.08.20
CHKD:					Nicky 2020.08.20
DR:					HB_CAO 2020.08.20
TITLE:					QSFP28 To 4*SFP28 Passive Cable Assembly
DWG NO:					ECX-QSFP28-4SFP28-DAC-MX-XM
			SCALE	SHEET	REV.
			1:1	5/5	1.2