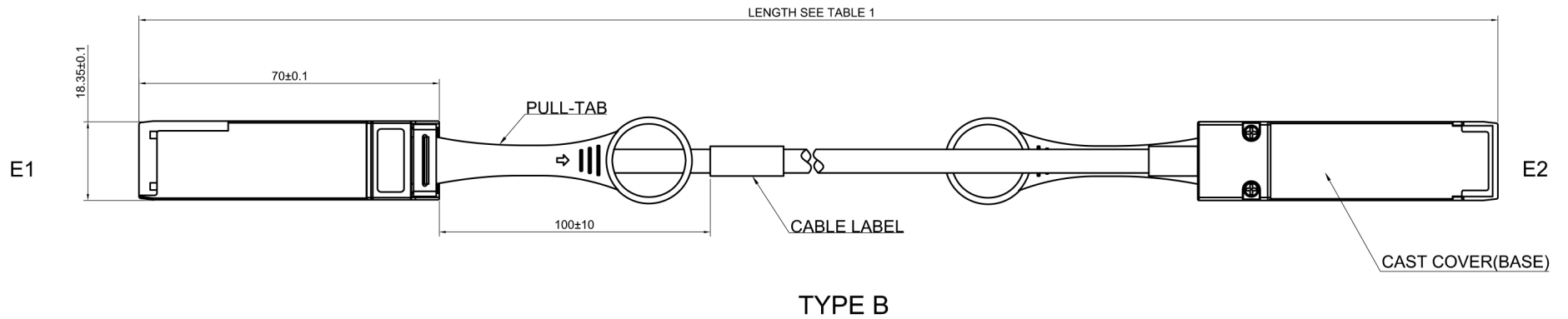
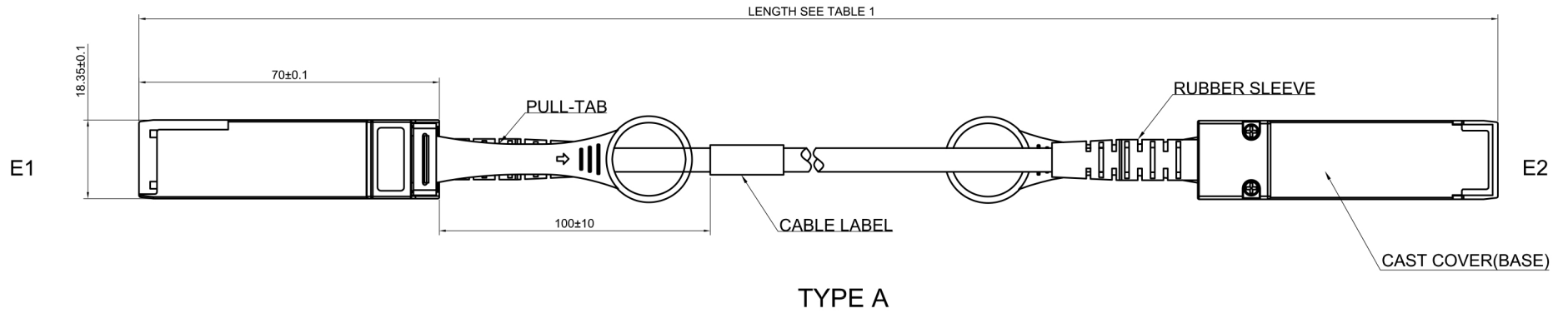


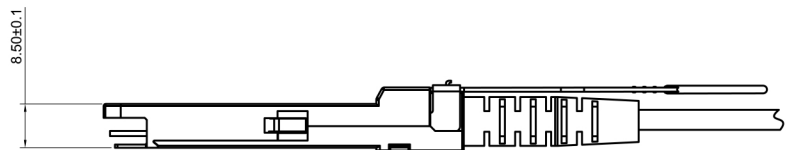
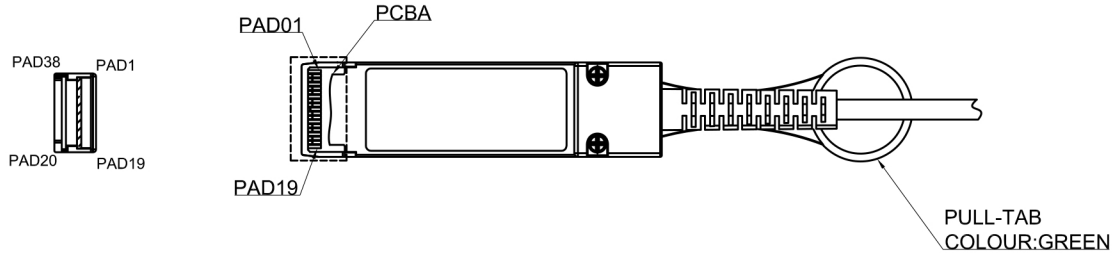


REV.	CONTENT	BY
1.1	Change the drawing ratio	Tyrone
1.3	CHANGE THE P/N	Rita



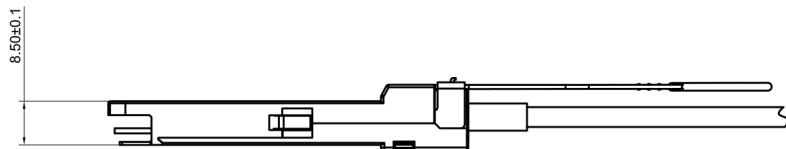
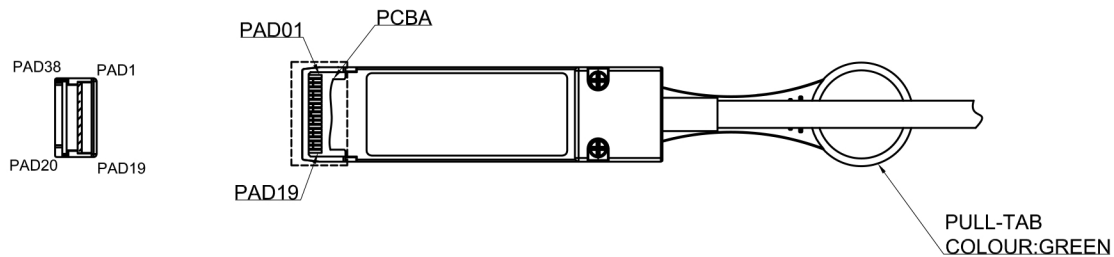
X.	±0.2	X°	±2°	UNITS mm	NAME(CUSTOMER USE)	 ENCONNEX ENCONNEX		
.X	±0.1	X°	±1.5°				MAT'L	
.XX	±0.1	XX°	±1°	FINISH	PRODUCT NO.	TITLE:		
.XXX	±0.03	.XXX°	±0.5°		QTY	See Table 1	QSFP QDR Passive Copper Cable Assembly	
<small>THESE DRAWING AND SPECIFICATIONS ARE THE PROPERTY OF 10GTEK TRANSCEIVERS CO.,LTD. AND SHALL NOT BE REPRODUCED COPIED OR USED IN ANY MANNER WITHOUT THE PRIOR WRITTEN CONSENT OF 10GTEK TRANSCEIVERS CO.,LTD</small>					APPD:	Nicky 2017.6.28	DWG NO:	
					CHKD:	Nicky 2017.6.28	W-R&D-P040	
					DR:	Rita 2017.6.28		
							SCALE SHEET REV.	
						1:1	1/3	1.3



TYPE A

NOTES:

1. CABLE DISTANCE DEPENDENCE ON WIRE GAUGE DATA RATE,AND HOST BOARD DRIVER CAPABILITIES
2. MATERIALS:
 BACKSHELLS: ZINC DIE CAST WITH BRIGHT NICKEL PLATING
 DE-LATCH: STAINLESS STEEL WITH OVER MOLDED NYLON
 SCREW: STAINLESS STEEL
 CABLE: SOLID SILVER PLATED COPPER. 2 INDIVIDUAL SHIELDED PAIRS WITH 8 SHIELDED OVERALL (JACKET COLOR: BLACK)
 PCB: FR4,4 LAYERS,(AC COUPLING)
3. IMPEDANCE-100 OHMS DIFFERENTIAL
4. TWO-WIRE SERIAL MEMORY: EEPROM(256BYTES),DIGITAL MONITORING & CONTROL FUNCTION AND MEMORY PAGE NOT SUPPORTED.
5. THIS PRODUCT MEETS THE RESTICTION OF HAZARDOUS SUBSTANCES IN ELECTRICAL AND ELECTRONIC REQUIREMENTS (ROHS)
6. COMPLIANT TO INDUSTRY STANDARDS:QSFP+MSA SFF-8436



TYPE B


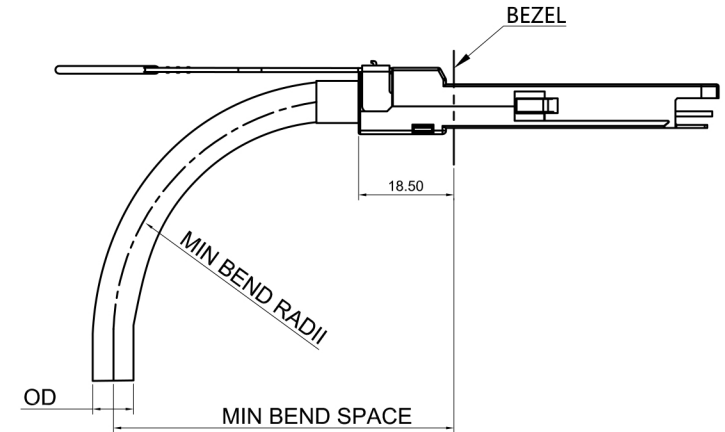
X. ±0.2	X° ±2°	UNITS mm	NAME(CUSTOMER USE)	 ENCONNEX
.X ±0.1	X° ±1.5°			
.XX ±0.1	XX° ±1°	FINISH	PRODUCT NO.	TITLE:
.XXX ±0.03	.XXX° ±0.5°		See Table 1	QSFP QDR Passive Copper Cable Assembly
THESE DRAWING AND SPECIFICATIONS ARE THE PROPERTY OF 10GTEK TRANSCEIVERS CO.,LTD. AND SHALL NOT BE REPRODUCED COPIED OR USED IN ANY MANNER WITHOUT THE PRIOR WRITTEN CONSENT OF 10GTEK TRANSCEIVERS CO.,LTD			APPD: Nicky 2017.6.28	DWG NO:
			CHKD: Nicky 2017.6.28	W-R&D-P040
			DR: Rita 2017.6.28	SCALE SHEET REV.
			1:1 2/3 1.3	

TABLE 1:

ITEM	10GTEK P/N	DESCRIPTION	LENGTH	CABLE AWG	CONNECTION TYPE
1	CAB-Q10/Q10-P50CM-01-6-2	40G QSFP QDR COPPER CABLE ASSEMBLY,0.5M 30AWG PASSIVE	500±10mm	30AWG	A
2	CAB-Q10/Q10-P1M-01-6-2	40G QSFP QDR COPPER CABLE ASSEMBLY,1M 30AWG PASSIVE	1000±30mm	30AWG	A
3	CAB-Q10/Q10-P2M-01-6-2	40G QSFP QDR COPPER CABLE ASSEMBLY,2M 30AWG PASSIVE	2000±30mm	30AWG	A
4	CAB-Q10/Q10-P3M-01-6-2	40G QSFP QDR COPPER CABLE ASSEMBLY,3M 30AWG PASSIVE	3000±30mm	30AWG	A
5	CAB-Q10/Q10-P5M-01-7-2	40G QSFP QDR COPPER CABLE ASSEMBLY,5M 28AWG PASSIVE	5000±90mm	28AWG	A
6	CAB-Q10/Q10-P7M-01-7-2	40G QSFP QDR COPPER CABLE ASSEMBLY,7M 28AWG PASSIVE	7000±90mm	28AWG	A
7	CAB-Q10/Q10-P5M-01-9-3	40G QSFP QDR COPPER CABLE ASSEMBLY,5M 26AWG PASSIVE	5000±90MM	26AWG	B
8	CAB-Q10/Q10-P7M-01-9-3	40G QSFP QDR COPPER CABLE ASSEMBLY,7M 26AWG PASSIVE	7000±90MM	26AWG	B
9	CAB-Q10/Q10-P10M-01-8-4	40G QSFP QDR COPPER CABLE ASSEMBLY,10M 24AWG PASSIVE	10000±120MM	24AWG	B



BEND RADII			
CABLE AWG	OD(mm)	MIN BEND RADI(mm)	MIN BEND SPACE
28	6.3	31.5	50.0
30	6.6	33.0	48.5

CABLE CONNECTION:

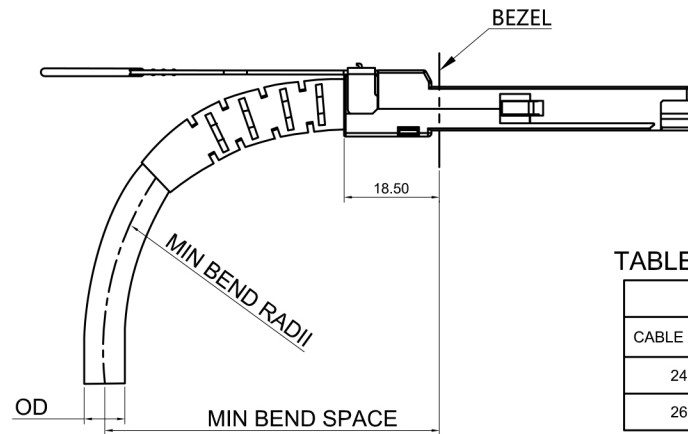
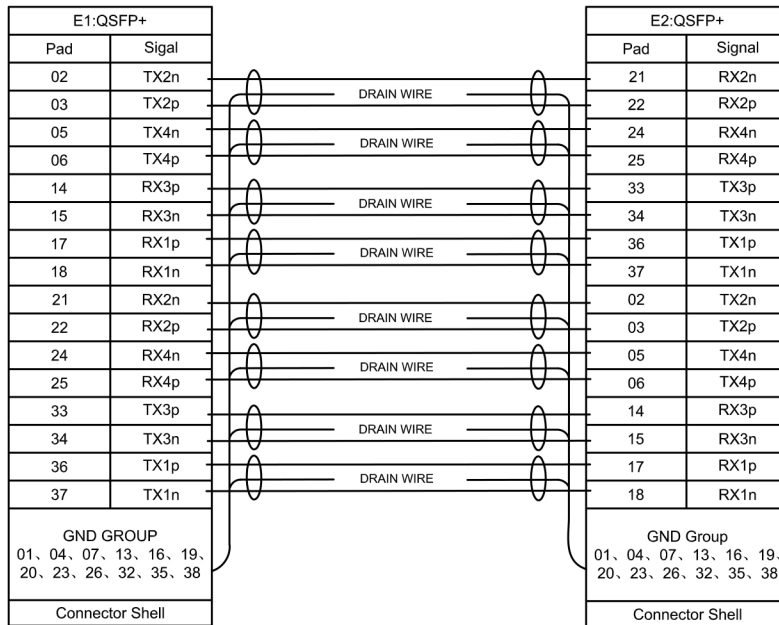


TABLE 3:

BEND RADII			
CABLE AWG	OD(mm)	MIN BEND RADI(mm)	MIN BEND SPACE
24	9.2	46.0	54.5
26	9.3	46.5	57.0

X. ±0.2	X° ±2°	UNITS mm	NAME(CUSTOMER USE)	ENCONNEX
.X ±0.1	X° ±1.5°			
.XX ±0.1	XX° ±1°	FINISH	PRODUCT NO.	TITLE:
.XXX ±0.03	.XXX° ±0.5°		QTY	See Table 1
THESE DRAWING AND SPECIFICATIONS ARE THE PROPERTY OF 10GTEK TRANSCEIVERS CO.LTD. AND SHALL NOT BE REPRODUCED COPIED OR USED IN ANY MANNER WITHOUT THE PRIOR WRITTEN CONSENT OF 10GTEK TRANSCEIVERS CO.,LTD			APPD: Nicky 2017.6.28	DWG NO:
			CHKD: Nicky 2017.6.28	W-R&D-P040
			DR: Rita 2017.6.28	SCALE SHEET REV. 1:1 3/3 1.3