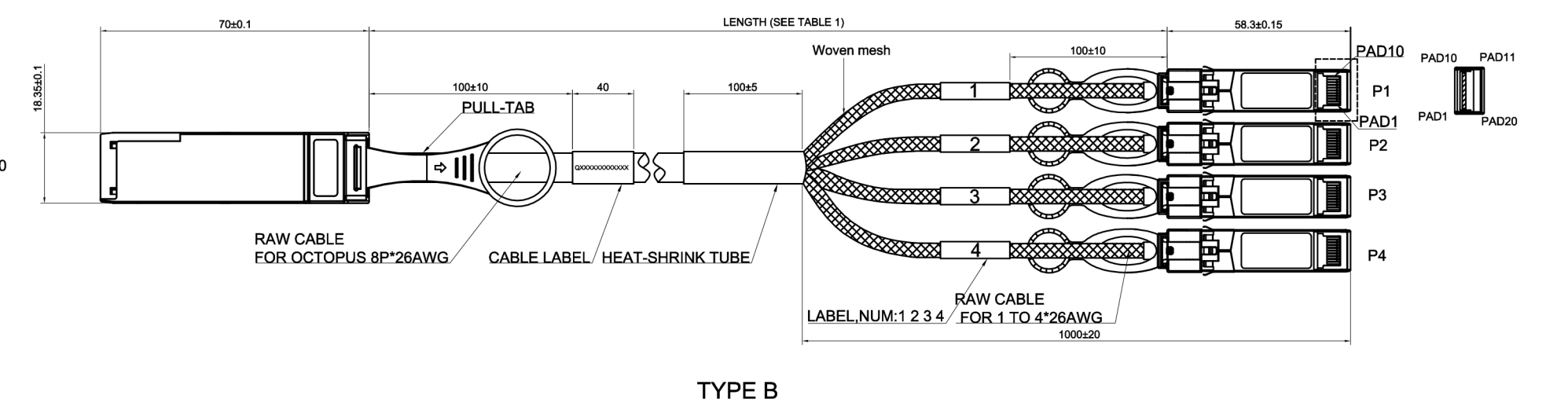
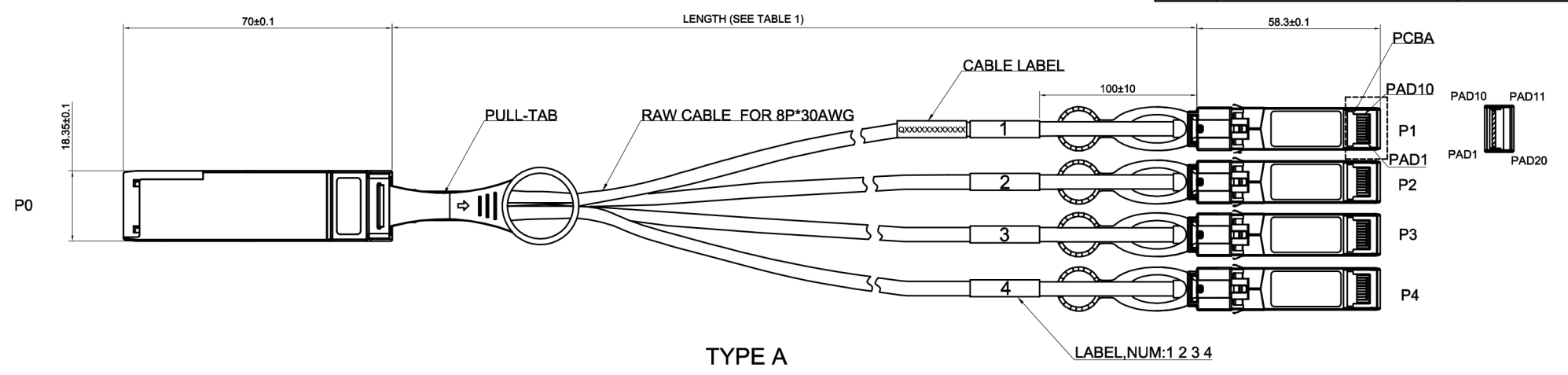
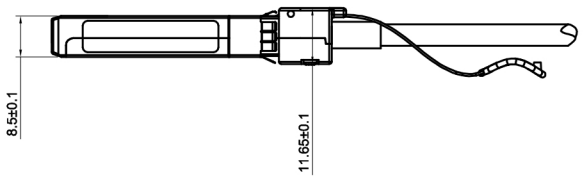
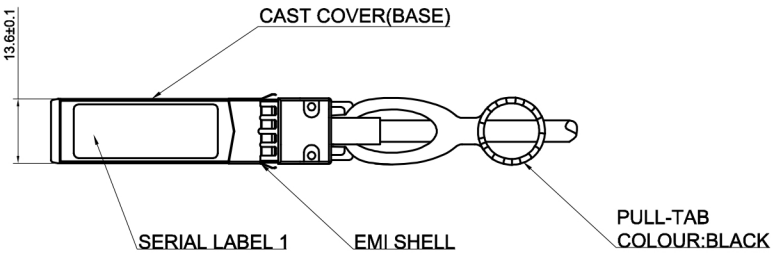
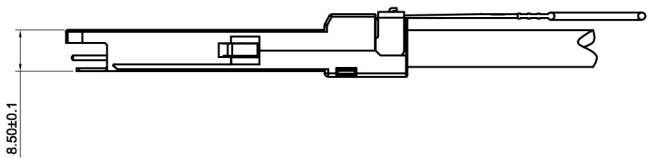
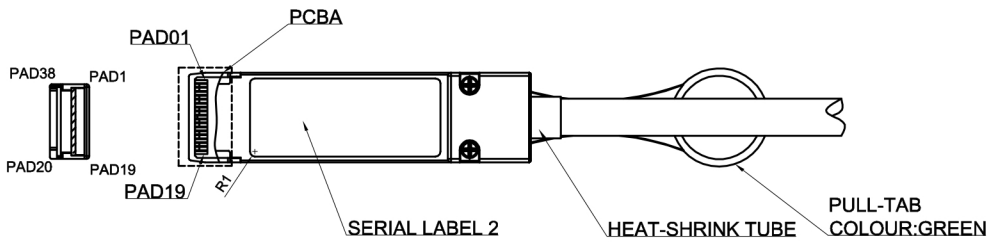


REV.	CONTENT	BY
2.3	CHANGE THE BEND RADII	Fan
2.4	CHANGE THE P/N	Rita



X. ±0.2	X° ±2°	UNITS mm	NAME(CUSTOMER USE)	ENCONNEX						
.X ±0.1	X° ±1.5°	MAT'L	PRODUCT NO.							
.XX ±0.1	XX° ±1°	FINISH	SEE TABLE 1	TITLE: QSFP-4SFP+ Passive Cable Assembly						
.XXX ±0.03	.XXX° ±0.5°		QTY	APPD: Nicky 2017.6.28	DWG NO: W-R&D-P018					
THESE DRAWING AND SPECIFICATIONS ARE THE PROPERTY OF 10GTEK TRANSCEIVERS CO.,LTD. AND SHALL NOT BE REPRODUCED COPIED OR USED IN ANY MANNER WITHOUT THE PRIOR WRITTEN CONSENT OF 10GTEK TRANSCEIVERS CO.,LTD			CHKD: Nicky 2017.6.28	<table border="1"> <thead> <tr> <th>SCALE</th> <th>SHEET</th> <th>REV.</th> </tr> </thead> <tbody> <tr> <td>1:1</td> <td>1/3</td> <td>2.4</td> </tr> </tbody> </table>	SCALE	SHEET	REV.	1:1	1/3	2.4
			SCALE		SHEET	REV.				
1:1	1/3	2.4								
DR: Rita 2017.6.28										



NOTES:

1. CABLE DISTANCE DEPENDENCE ON WIRE GAUGE DATA RATE,AND HOST BOARD DRIVER CAPABILITIES
2. MATERIALS:
 BACK SHELLS: ZINC DIE CAST WITH BRIGHT NICKEL PLATING
 DE-LATCH: STAINLESS STEEL WITH OVER MOLDED NYLON
 SCREW: STAINLESS STEEL
 CABLE: SOLID SILVER PLATED COPPER. 2 INDIVIDUAL SHIELDED PAIRS WITH 8 SHIELDED OVERALL (JACKET COLOR: BLACK)
 PCB: FR4,(AC COUPLING)
3. IMPEDANCE-100 OHMS DIFFERENTIAL
4. TWO-WIRE SERIAL MEMORY: EEPROM(256BYTES),DIGITAL MONITORING & CONTROL FUNCTION AND MEMORY PAGE NOT SUPPORTED.
5. THIS PRODUCT MEETS THE RESTRICTION OF HAZARDOUS SUBSTANCES IN ELECTRICAL AND ELECTRONIC REQUIREMENTS (ROHS)
6. COMPLIANT TO INDUSTRY STANDARDS:SFP+MSA SFF-8431 AND SFF-8436

X. ±0.2	X° ±2°	UNITS mm	NAME(CUSTOMER USE)	ENCONNEX						
.X ±0.1	X° ±1.5°	MAT'L	PRODUCT NO.							
.XX ±0.1	XX° ±1°	FINISH	SEE TABLE 1	TITLE: QSFP-4SFP+ Copper Passive Cable Assembly						
.XXX ±0.03	.XXX° ±0.5°		QTY	APPD: Nicky 2017.6.28	DWG NO: W-R&D-P018					
THESE DRAWING AND SPECIFICATIONS ARE THE PROPERTY OF 10GTEK TRANSCEIVERS CO.,LTD. AND SHALL NOT BE REPRODUCED COPIED OR USED IN ANY MANNER WITHOUT THE PRIOR WRITTEN CONSENT OF 10GTEK TRANSCEIVERS CO.,LTD			CHKD: Nicky 2017.6.28	<table border="1"> <tr> <th>SCALE</th> <th>SHEET</th> <th>REV.</th> </tr> <tr> <td>1:1</td> <td>2/3</td> <td>2.4</td> </tr> </table>	SCALE	SHEET	REV.	1:1	2/3	2.4
			SCALE		SHEET	REV.				
1:1	2/3	2.4								
			DR: Rita 2017.6.28							

TABLE 1:

ITEM	10GTEK P/N	DESCRIPTION	LENGTH	CABLE AWG	FANOUT LENGTH	CONNECTIO N TYPE
1	CAB-Q10/4S-P50CM-00-1-2	QSFP to 4SFP+ Copper Twinax Cable Assembly,50cm,AWG30,Passive	500±10mm	30AWG		A
2	CAB-Q10/4S-P1M-00-1-2	QSFP to 4SFP+ Copper Twinax Cable Assembly,1m,AWG30,Passive	1000±20mm	30AWG		A
3	CAB-Q10/4S-P2M-01-1-2	QSFP to 4SFP+ Copper Twinax Cable Assembly,2m,AWG30,Passive	2000±20mm	30AWG		A
4	CAB-Q10/4S-P3M-00-1-2	QSFP to 4SFP+ Copper Twinax Cable Assembly,3m,AWG30,Passive	3000±20mm	30AWG		A
5	CAB-Q10/4S-P5M-00-13-2	QSFP to 4SFP+ Copper Twinax Cable Assembly,5m,AWG26,Passive	5000±90mm	26AWG	1000±20mm	B
6	CAB-Q10/4S-P7M-00-13-2	QSFP to 4SFP+ Copper Twinax Cable Assembly,7m,AWG26,Passive	7000±90mm	26AWG	1000±20mm	B
7	CAB-Q10/4S-P10M-00-13-2	QSFP to 4SFP+ Copper Twinax Cable Assembly,10m,AWG26,Passive	10000±120mm	26AWG	1000±20mm	B

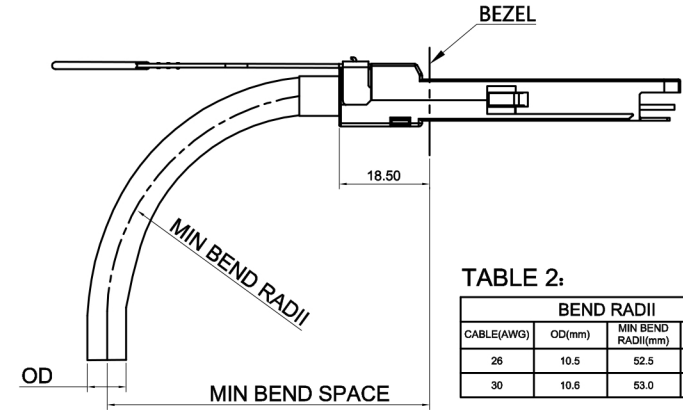


TABLE 2:

CABLE(AWG)	BEND RADII		
	OD(mm)	MIN BEND RADII(mm)	MIN BEND SPACE
26	10.5	52.5	71.0
30	10.6	53.0	71.5

CABLE CONNECTION:

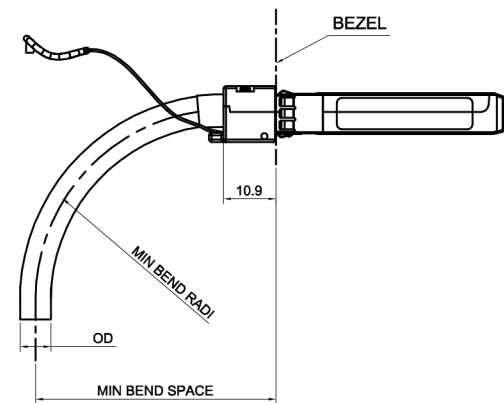
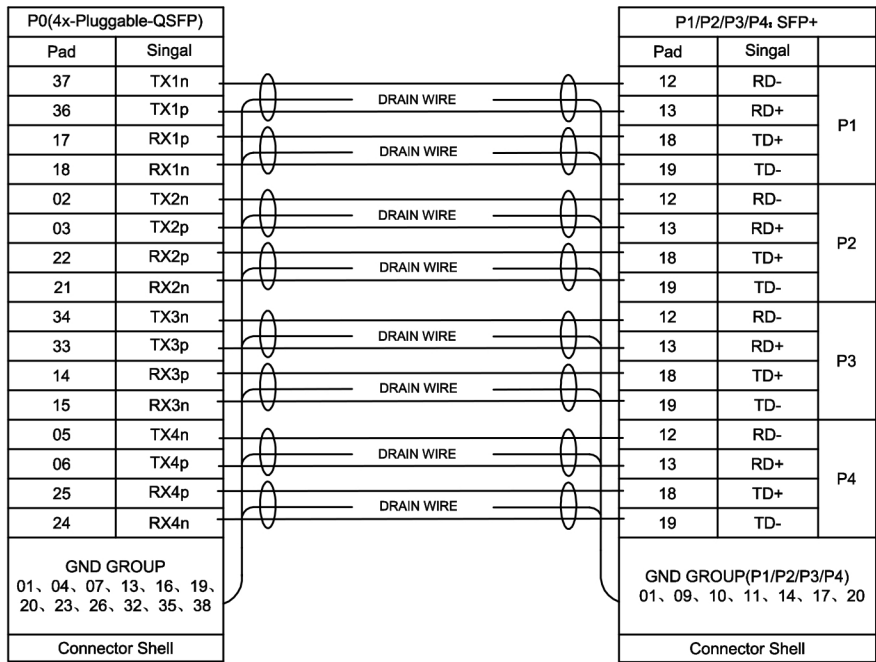


TABLE 3:

CABLE(AWG)	BEND RADII		
	OD(mm)	MIN BEND RADII(mm)	MIN BEND SPACE
26	5.0	25.0	35.9
30	4.20	21.00	31.90

X. ±0.2	X° ±2°	UNITS mm	NAME(CUSTOMER USE)	ENCONNEX ENCONNEX
.X ±0.1	X° ±1.5°			
.XX ±0.1	XX° ±1°	FINISH	PRODUCT NO.	TITLE:
.XXX ±0.03	.XXX° ±0.5°		QTY	SEE TABLE 1
THESE DRAWING AND SPECIFICATIONS ARE THE PROPERTY OF 10GTEK TRANSCEIVERS CO.,LTD. AND SHALL NOT BE REPRODUCED COPIED OR USED IN ANY MANNER WITHOUT THE PRIOR WRITTEN CONSENT OF 10GTEK TRANSCEIVERS CO.,LTD				APPD: Nicky 2017.6.28
			CHKD: Nicky 2017.6.28	SCALE SHEET REV.
			DR: Rita 2017.6.28	1:1 3/3 2.4