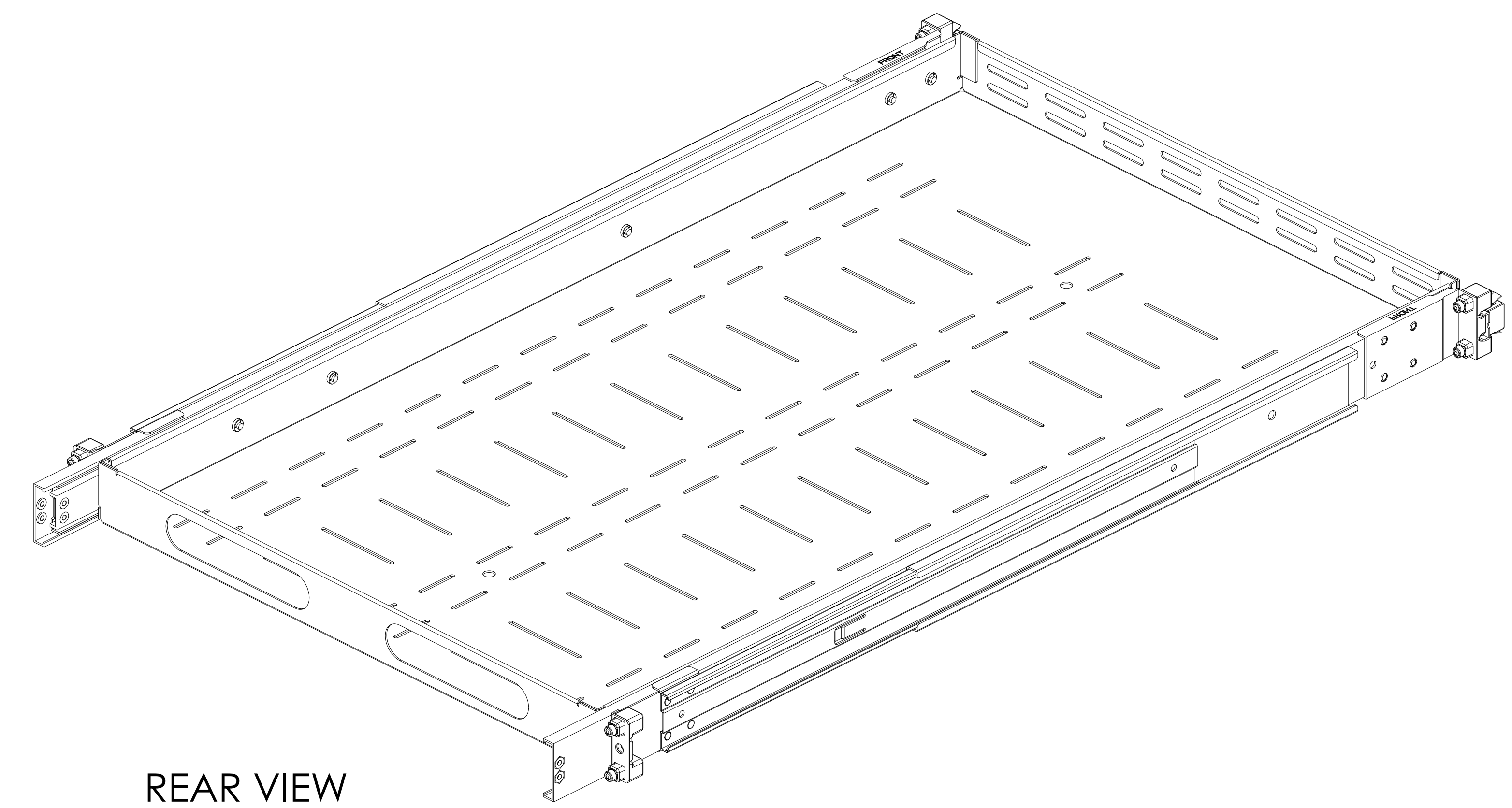
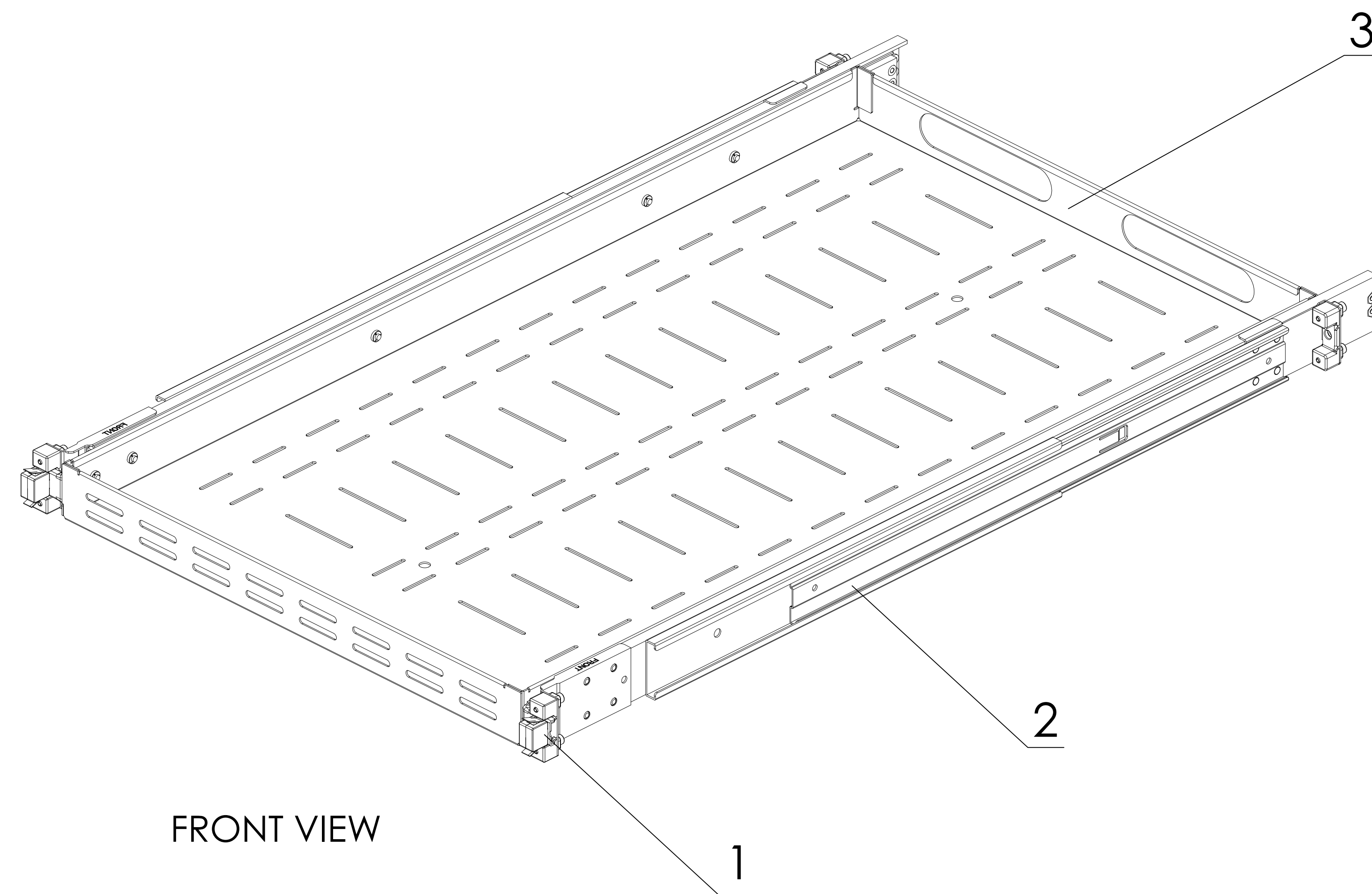


THIS DRAWING AND SPECIFICATIONS HEREIN ARE THE PROPERTY OF ENCONNEX LLC. AND SHALL NOT BE COPIED, REPRODUCED OR USED IN WHOLE OR IN PART, AS THE BASIS FOR THE MANUFACTURE OR SALE OF ITEMS WITHOUT THE WRITTEN PERMISSION OF ENCONNEX LLC. THIS DRAWING IS SUBJECT TO CHANGE WITHOUT NOTICE.

REVISIONS				
REV.	SUFFIX	DESCRIPTION	DATE	APPROVED
A		Full Released	2022/5/18	FANCY FAN
B		Increase Thickness For Panel And Delete Holes On Panel	2022/4/8	FANCY FAN



NO.	PN	QTY
1	ECX-1URAIL-EXT-LR-1xD	1
2	ECX-1URAIL-INR-1x2	1
3	ECX-G118R-R3	1

NOTES, UNLESS OTHERWISE SPECIFIED:

- MATERIAL: 1.2MM SPCC
- FINISH: RAL 9005 TEXTURE
- PART MUST BE SUFFICIENTLY FREE OF BURRS AND SHARP EDGES TO PASS UL 1439 SHARP EDGE TEST.
- 3D CAD AVAILABLE IN ADDITION TO PDF PRINT. SHOULD DISCREPANCY ARISE, CONSULT ENCONNEX ENGINEERING IMMEDIATELY.
- ALL PARTS TO BE FREE OF DIRT OR GRIME THAT PREVENTS LABEL ADHESION OR ALLOWS TRANSFER ONTO COSMETIC AREAS.
- MUST BE ROHS COMPLIANT, INCLUDING HARDWARE. IF CONFLICTING SPECIFICATIONS EXIST, CONTACT ENCONNEX ENGINEERING.
- DIMENSIONS IDENTIFIED WITH (X.XX) ARE CONSIDERED CRITICAL TO QUALITY (CTQ) DIMENSIONS. THESE DIMENSIONS ARE EXPECTED TO BE MONITORED STATISTICALLY AND DOCUMENTED AS PART OF THE FABRICATION PROCESS.

<p>UNLESS NOTED, DIMENSIONS IN MILLIMETERS & TOLERANCES ARE:</p> <p>X. ±1 MM X° ±1°</p> <p>X.X ±0.5 MM X.X° ±0.5°</p> <p>X.XX ±0.20 MM</p> <p>ØX.X ±0.3 MM</p> <p>ØX.XX ±0.10 MM</p>	<p>4670 AIRCENTER CIRCLE, RENO, NV89502</p>	PRODUCT LINE: Sliding Shelf
		PART NUMBER: ECX-G118R-R3-K
<p>DRAWING FILE NAME: ECX-G118R-R3-K</p> <p>3D MODEL FILE NAME: ECX-G118R-R3-K</p> <p>3D MODEL CONFIGURATION</p>		<p>ENGINEER: SAM DING</p> <p>DRAWN: AMY ZHU</p> <p>ITEM WEIGHT (REFERENCE ONLY)</p>
<p>THIRD ANGLE PROJECTION</p>		<p>ORG DATE:2021/5/18</p> <p>REV DATE:2022/4/8</p> <p>REV:B</p>
UNITS:MM[IN]	INTERPRET TO ASME Y14.100	SIZE: B
SCALE:N/A		DO NOT SCALE DRAWING
SHEET:1/1		