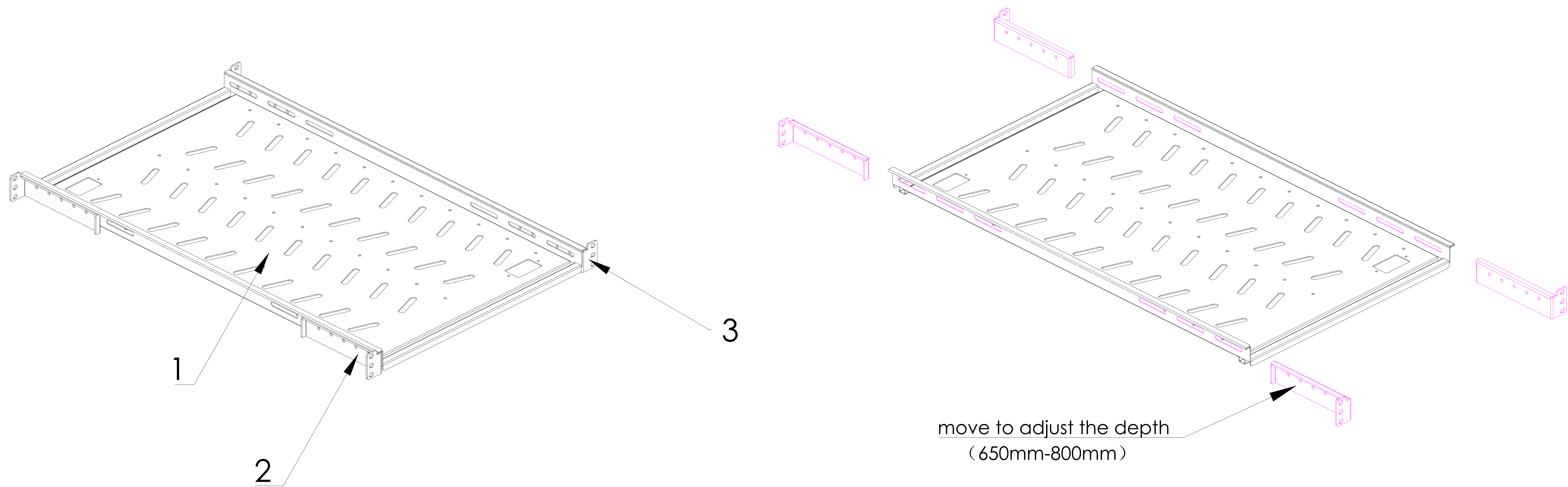


THIS DRAWING AND SPECIFICATIONS HEREIN ARE THE PROPERTY OF ENCONNEX LLC, AND SHALL NOT BE COPIED, REPRODUCED OR USED IN WHOLE OR IN PART, AS THE BASIS FOR THE MANUFACTURE OR SALE OF ITEMS WITHOUT THE WRITTEN PERMISSION OF ENCONNEX LLC. THIS DRAWING IS SUBJECT TO CHANGE WITHOUT NOTICE.

REVISIONS			
REV	DESCRIPTION	DATE	APPROVED
A	FULL RELEASED	2022.2.11	FANCY FAN

F
E
D
C
B
A

F
E
D
C
B
A



NOTES, UNLESS OTHERWISE SPECIFIED:

- MATERIAL: CRS.
- FINISH: POWDERCOAT RAL9005. ALL SURFACES EXCEPT WHERE NOTED INCLUDING PEM HEADS, MASK STANDOFFS AND THREADS; REMOVE MASK PRIOR TO SHIPPING. ALL DIMS PRE-FINISH.
WHERE INDICATED MASK BEFORE POWDERCOAT. FINISH WITH CONDUCTIVE PAINT.
- PART MUST BE SUFFICIENTLY FREE OF BURRS AND SHARP EDGES TO PASS UL 1439 SHARP EDGE TEST.
- ALL PARTS TO BE FREE OF DIRT OR GRIME THAT PREVENTS LABEL ADHESION OR ALLOWS TRANSFER ONTO COSMETIC AREAS.
- 3D CAD AVAILABLE IN ADDITION TO PDF PRINT. SHOULD DISCREPANCY ARISE, CONSULT ENCONNEX ENGINEERING IMMEDIATELY.
- MUST BE ROHS COMPLIANT, INCLUDING HARDWARE.
- DIMENSIONS IDENTIFIED WITH (X.XX) ARE CONSIDERED CRITICAL TO QUALITY (CTQ) DIMENSIONS. THESE DIMENSIONS ARE EXPECTED TO BE MONITORED STATISTICALLY AND DOCUMENTED AS PART OF THE FABRICATION PROCESS.
- 1.0MM STRAIGHTNESS AT EDGES. 1.0MM FLATNESS FOR SURFACES LESS THAN 150MM IN EITHER DIRECTION. 3.0MM FLATNESS FOR LARGER SURFACES. 90° BENDS ARE ±0.5°.

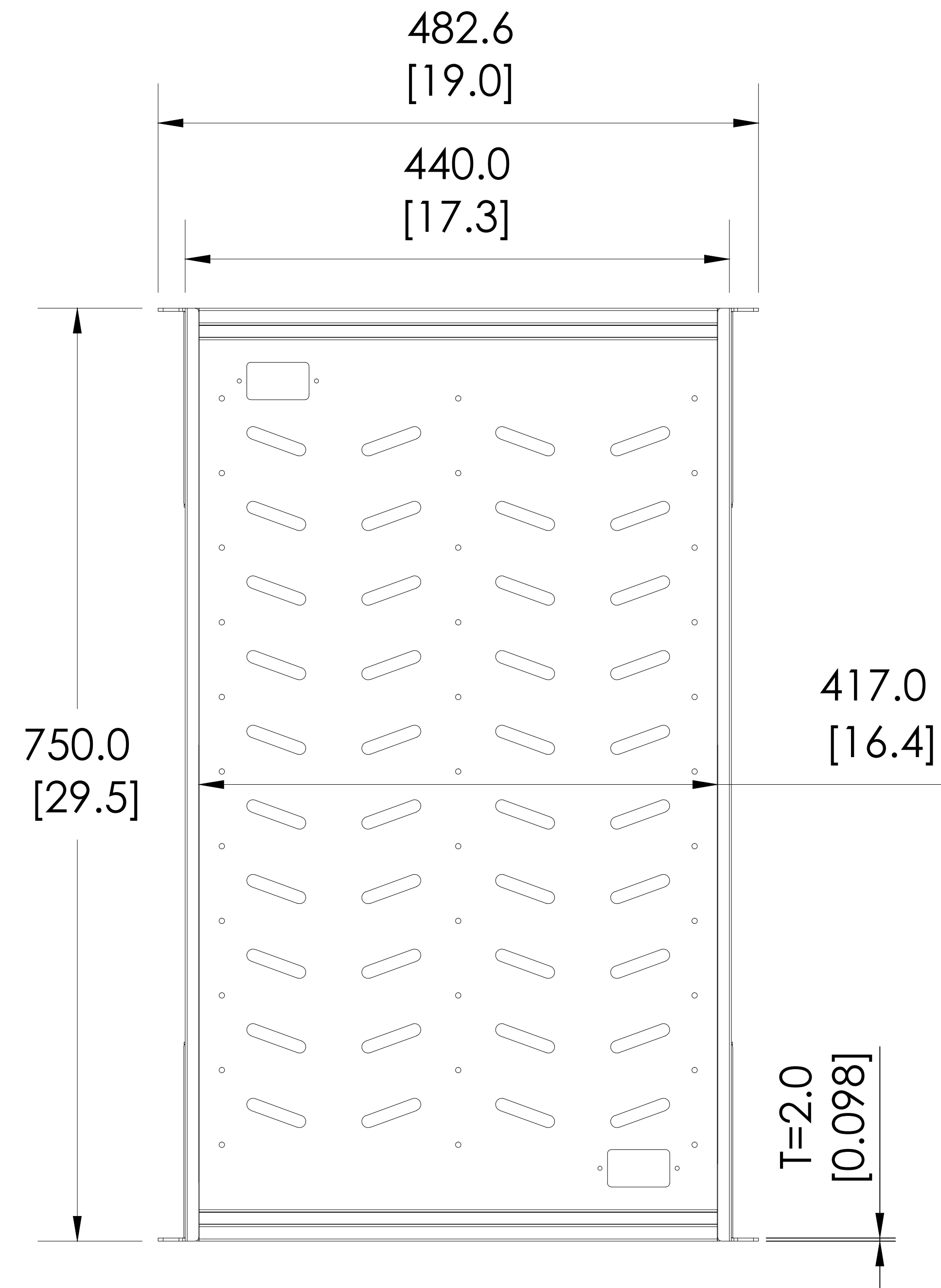
ITEM	PN	DES	PCS
1	1M2-W001	Bottom plate	1
2	1M2-W002	Hanging ears 1	2
3	1M2-W003	Hanging ears 2	2
4	OK0-W010	Accessories Bag	1

UNLESS NOTED, DIMENSIONS IN MILLIMETERS & TOLERANCES ARE: X. ±1 MM X° ±1° X.X ±0.5 MM X.X° ±0.5° X.XX ±0.20 MM ØX.X ±0.3 MM ØX.XX ±0.10 MM		PRODUCT LINE: 4 POST FIX SHELF	
		PART NUMBER: ECX-FSF-L750	
DRAWING FILE NAME ECX-FSF-L750 3D MODEL FILE NAME ECX-FSF-L750 3D MODEL CONFIGURATION		ENGINEER:FANCY FAN	ORG DATE:2022.2.11
		DRAWN:WAYNE WANG	REV DATE:2022.2.11
UNITS:MM(IN) INTERPRET TO ASME Y14.100 SIZE: A SCALE:1:1 DO NOT SCALE DRAWING SHEET:1/2		ITEM WEIGHT (REFERENCE ONLY)	REV:A

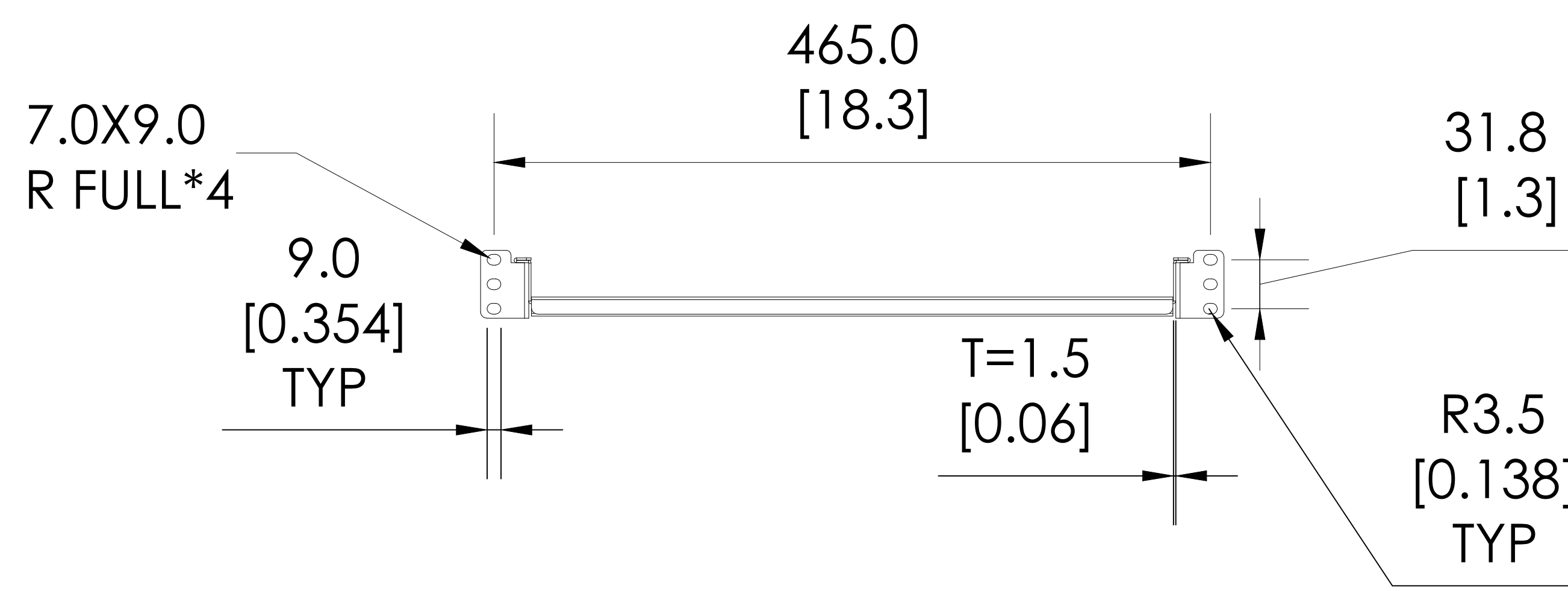
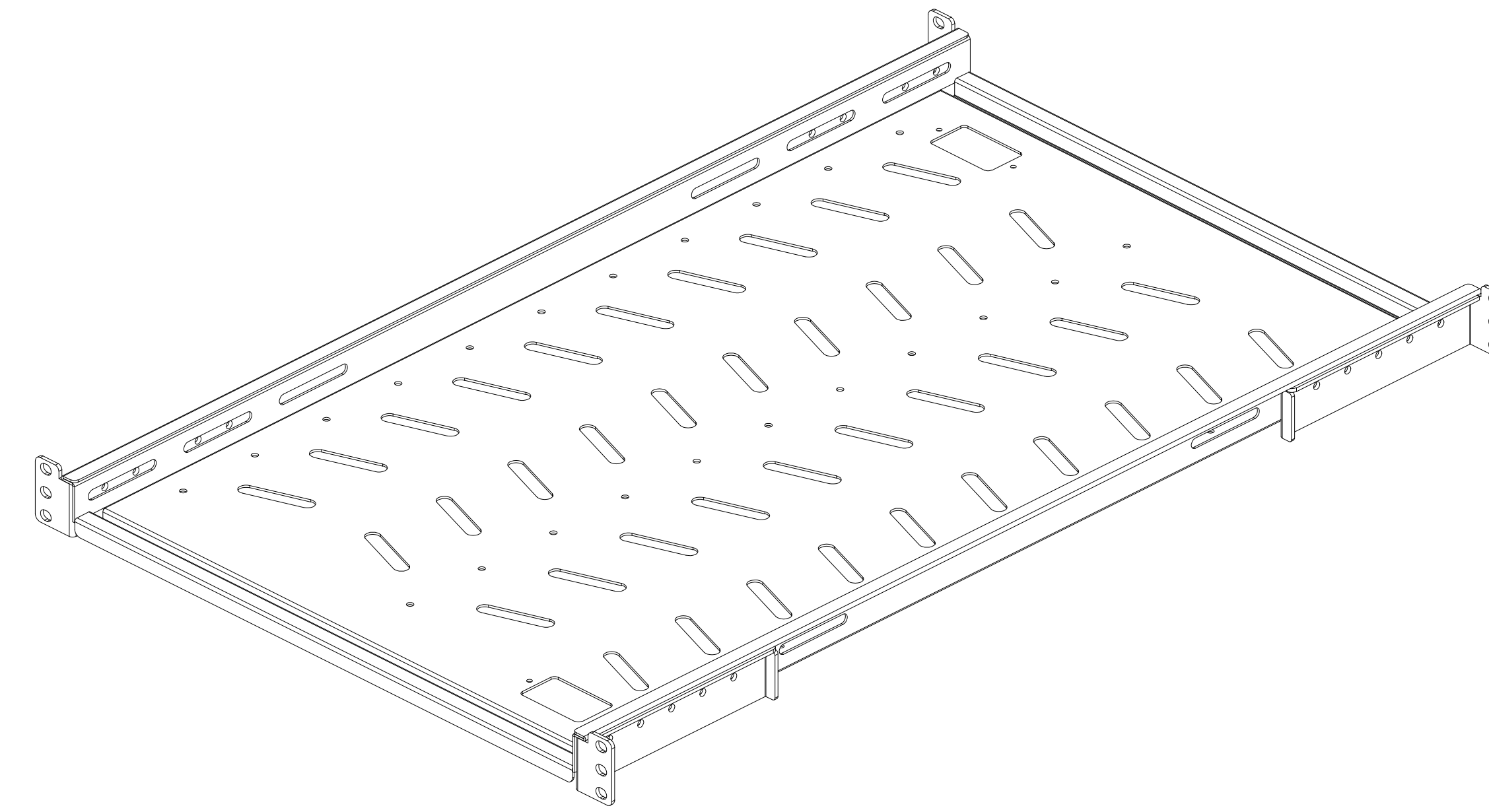
A

A

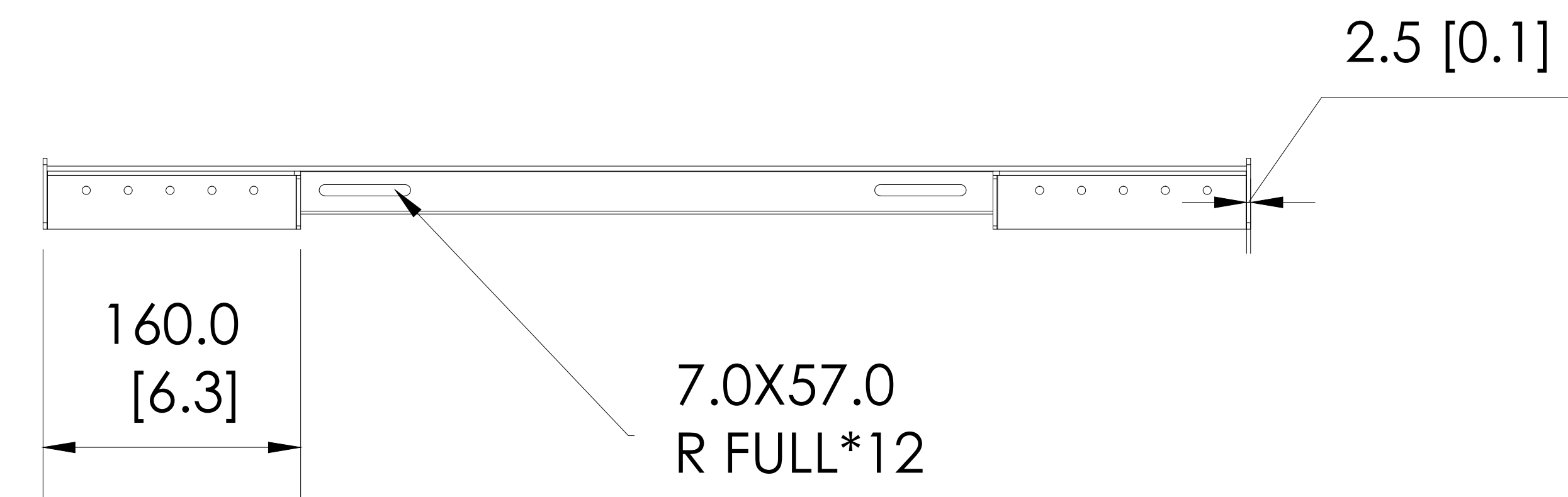
THIS DRAWING AND SPECIFICATIONS HEREIN ARE THE PROPERTY OF ENCONNEX LLC, AND SHALL NOT BE COPIED, REPRODUCED OR USED IN WHOLE OR IN PART, AS THE BASIS FOR THE MANUFACTURE OR SALE OF ITEMS WITHOUT THE WRITTEN PERMISSION OF ENCONNEX LLC. THIS DRAWING IS SUBJECT TO CHANGE WITHOUT NOTICE.



TOP VIEW



FRONT VIEW



SIDE VIEW

UNLESS NOTED, DIMENSIONS IN MILLIMETERS & TOLERANCES ARE:			PRODUCT LINE: 4 POST FIX SHELF	
X. ±1 MM	X° ±1°		PART NUMBER: ECX-FSF-L750	
X.X ±0.5 MM	X.X° ±0.5°	4670 AIRCENTER CIRCLE, RENO, NV89502	DESCRIPTION: Fix shelf, for 4 post cabinet, 1U, 750mm D, for 650-800mm mounting rail distance, 200lbs	
X.XX ±0.20 MM			DRAWING FILE NAME: ECX-FSF-L750	
∅X.X ±0.3 MM		3D MODEL FILE NAME: ECX-FSF-L750		
∅X.XX ±0.10 MM		3D MODEL CONFIGURATION: ECX-FSF-L750		
THIRD ANGLE PROJECTION		ENGINEER: FANCY FAN	ORG DATE: 2022.2.11	
UNITS: MM(IN)		INTERPRET TO ASME Y14.100	SIZE: A	SCALE: 1:1
		DO NOT SCALE DRAWING	SHEET: 2/2	