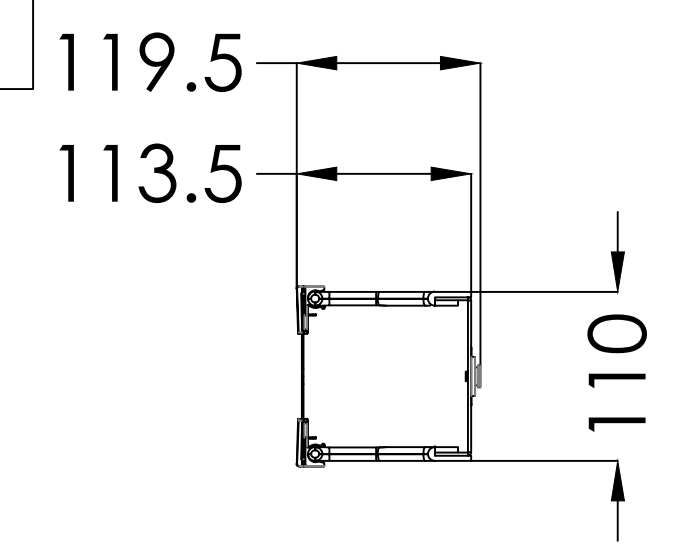
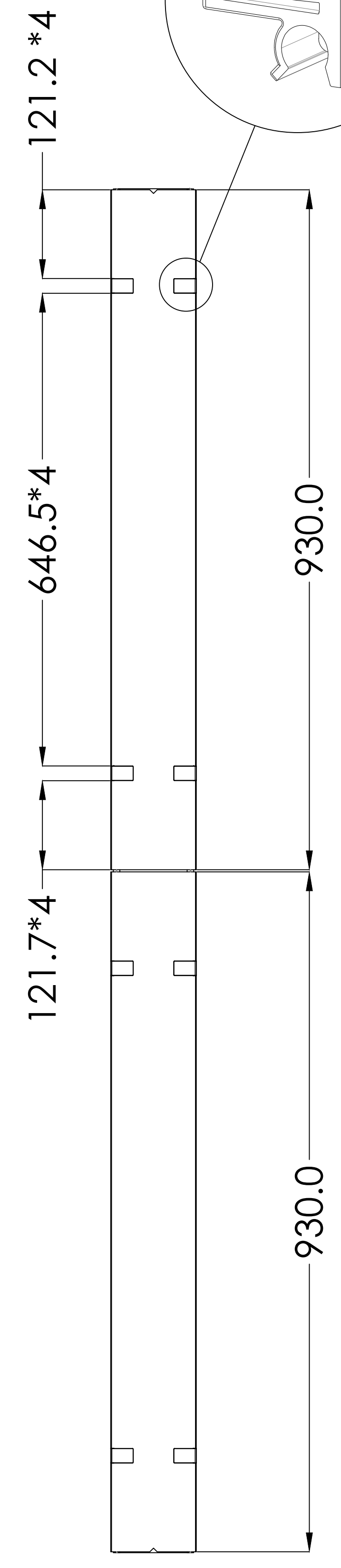


THIS DRAWING AND SPECIFICATIONS HEREIN ARE THE PROPERTY OF ENCONNEX LLC. AND SHALL NOT BE COPIED, REPRODUCED OR USED IN WHOLE OR IN PART, AS THE BASIS FOR THE MANUFACTURE OR SALE OF ITEMS WITHOUT THE WRITTEN PERMISSION OF ENCONNEX LLC. THIS DRAWING IS SUBJECT TO CHANGE WITHOUT NOTICE.

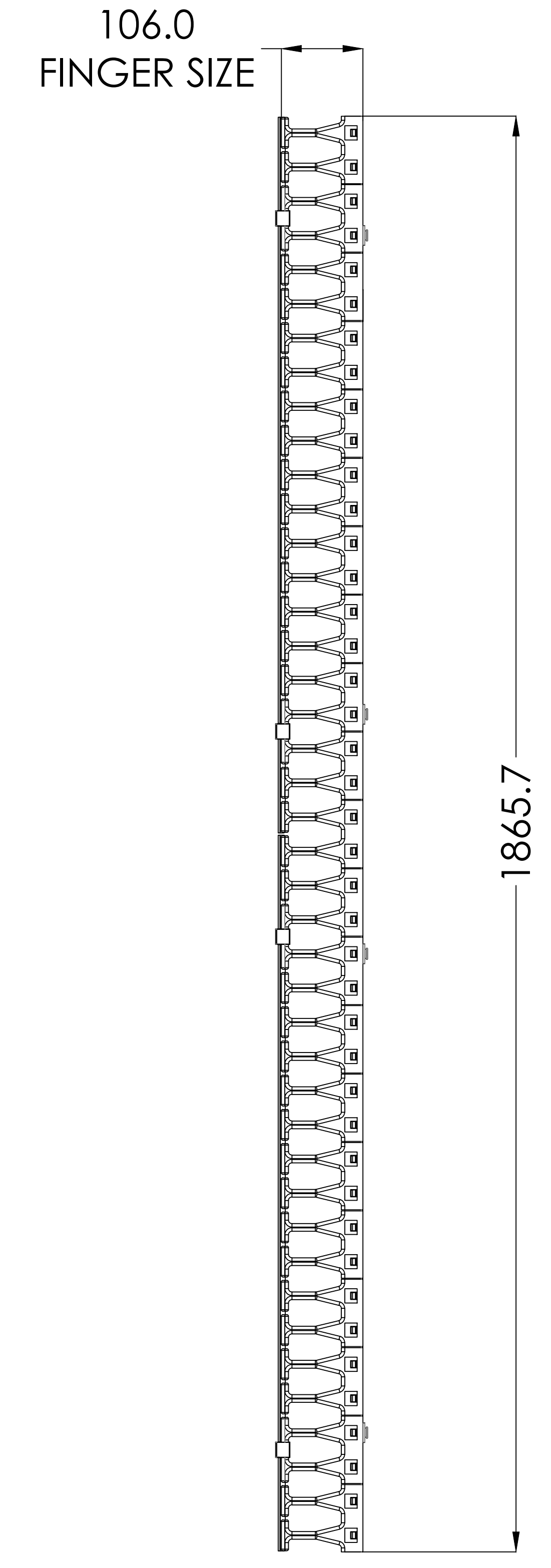
REVISIONS				
REV.	SUFFIX	DESCRIPTION	DATE	APPROVED
A		FULL RELEASED	2021.4.27	Fancy Fan
B		SHOW BUTTONS WHICH ARE ON THE COVER	2021.9.2	Fancy Fan



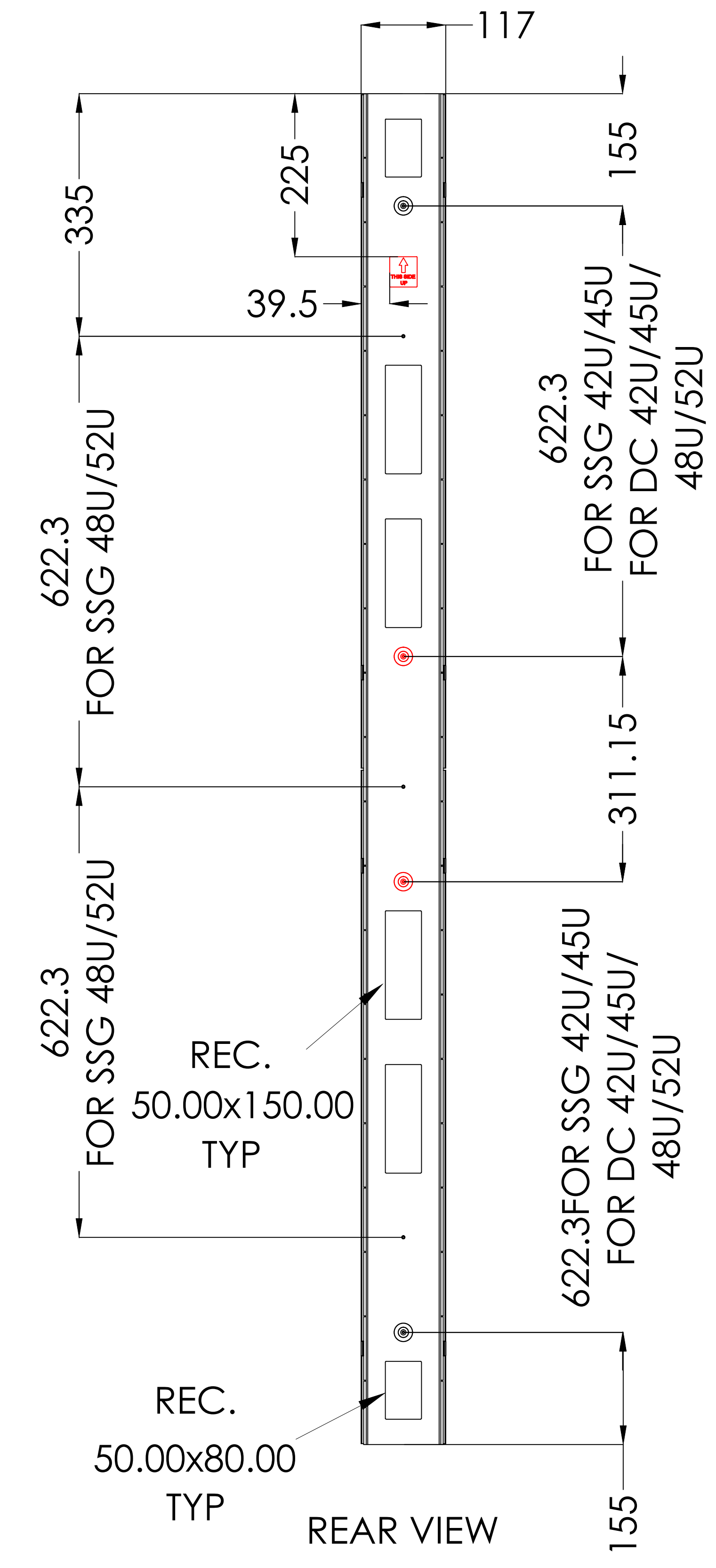
TOP VIEW



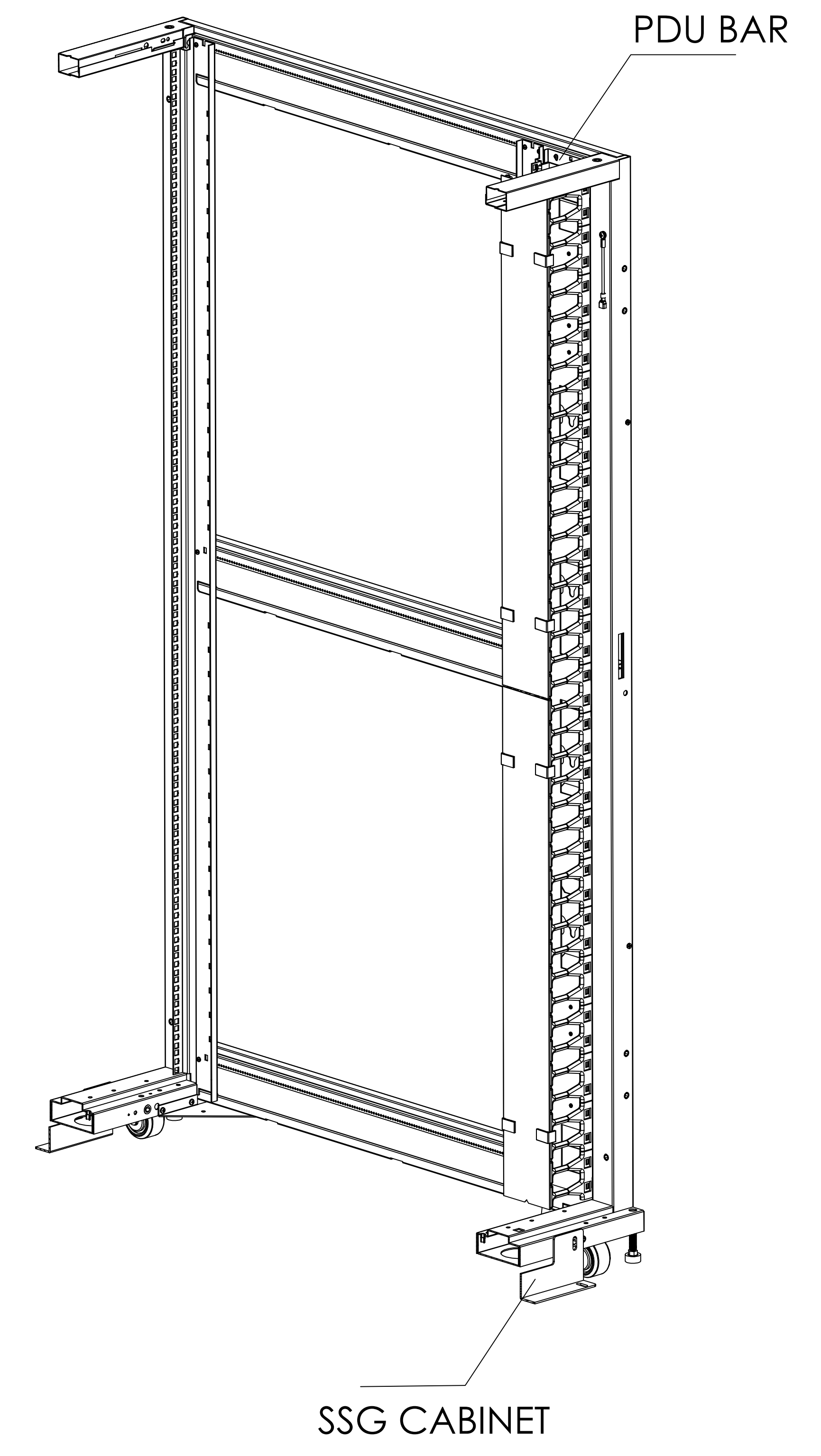
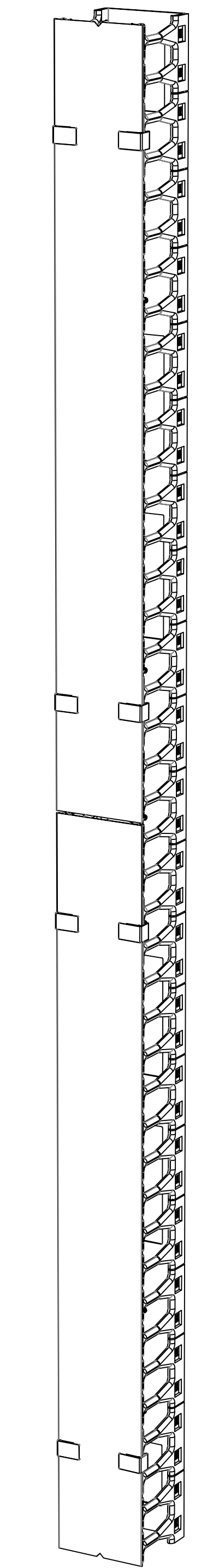
FRONT VIEW



SIDE VIEW



REAR VIEW



SSG CABINET

NOTES, UNLESS OTHERWISE SPECIFIED:

- MATERIAL: CRS AND PLASTIC
- FINISH: RAL 9005 TEXTURE
- PART MUST BE SUFFICIENTLY FREE OF BURRS AND SHARP EDGES TO PASS UL 1439 SHARP EDGE TEST.
- 3D CAD AVAILABLE IN ADDITION TO PDF PRINT. SHOULD DISCREPANCY ARISE, CONSULT ENCONNEX ENGINEERING IMMEDIATELY.
- ALL PARTS TO BE FREE OF DIRT OR GRIME THAT PREVENTS LABEL ADHESION OR ALLOWS TRANSFER ONTO COSMETIC AREAS.
- MUST BE ROHS COMPLIANT, INCLUDING HARDWARE. IF CONFLICTING SPECIFICATIONS EXIST, CONTACT ENCONNEX ENGINEERING.
- DIMENSIONS IDENTIFIED WITH (X.XX) ARE CONSIDERED CRITICAL TO QUALITY (CTQ) DIMENSIONS. THESE DIMENSIONS ARE EXPECTED TO BE MONITORED STATISTICALLY AND DOCUMENTED AS PART OF THE FABRICATION PROCESS.

UNLESS NOTED, DIMENSIONS IN MILLIMETERS & TOLERANCES ARE:
 X. ± 1 MM X° ± 1°
 X.X ± 0.5 MM X.X° ± 0.5°
 X.XX ± 0.20 MM
 ØX.X ± 0.3 MM
 ØX.XX ± 0.10 MM



PRODUCT LINE:
Cable Management
 PART NUMBER:
ECX-CBLMGR-VRT106-1101865
 DESCRIPTION: Vertical cable manager,
117mm (W) x 119mm (D) x 1865mm (H)

THIRD ANGLE PROJECTION	DRAWING FILE NAME ECX-CBLMGR-VRT106-1101865	ENGINEER: Amy Zhu	ORG DATE:2021.4.27
	3D MODEL FILE NAME ECX-CBLMGR-VRT106-1101865	DRAWN: Amy Zhu	REV DATE:2021.9.2
	3D MODEL CONFIGURATION Default	ITEM WEIGHT (REFERENCE ONLY) 7.011 KG	REV:B
UNITS:MM[IN]	INTERPRET TO ASME Y14.100	SIZE: B	SCALE:1:17 DO NOT SCALE DRAWING SHEET:1/1