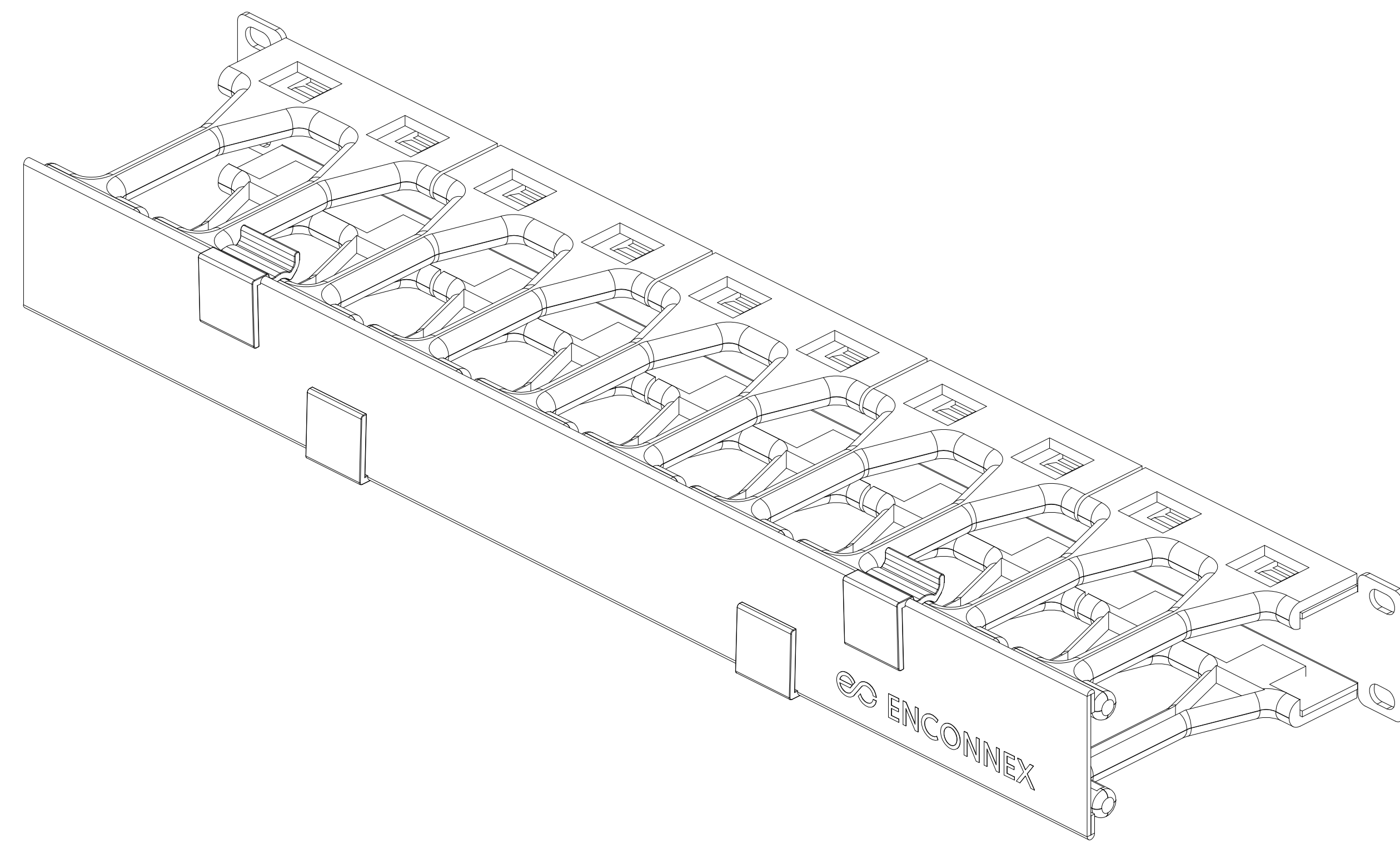
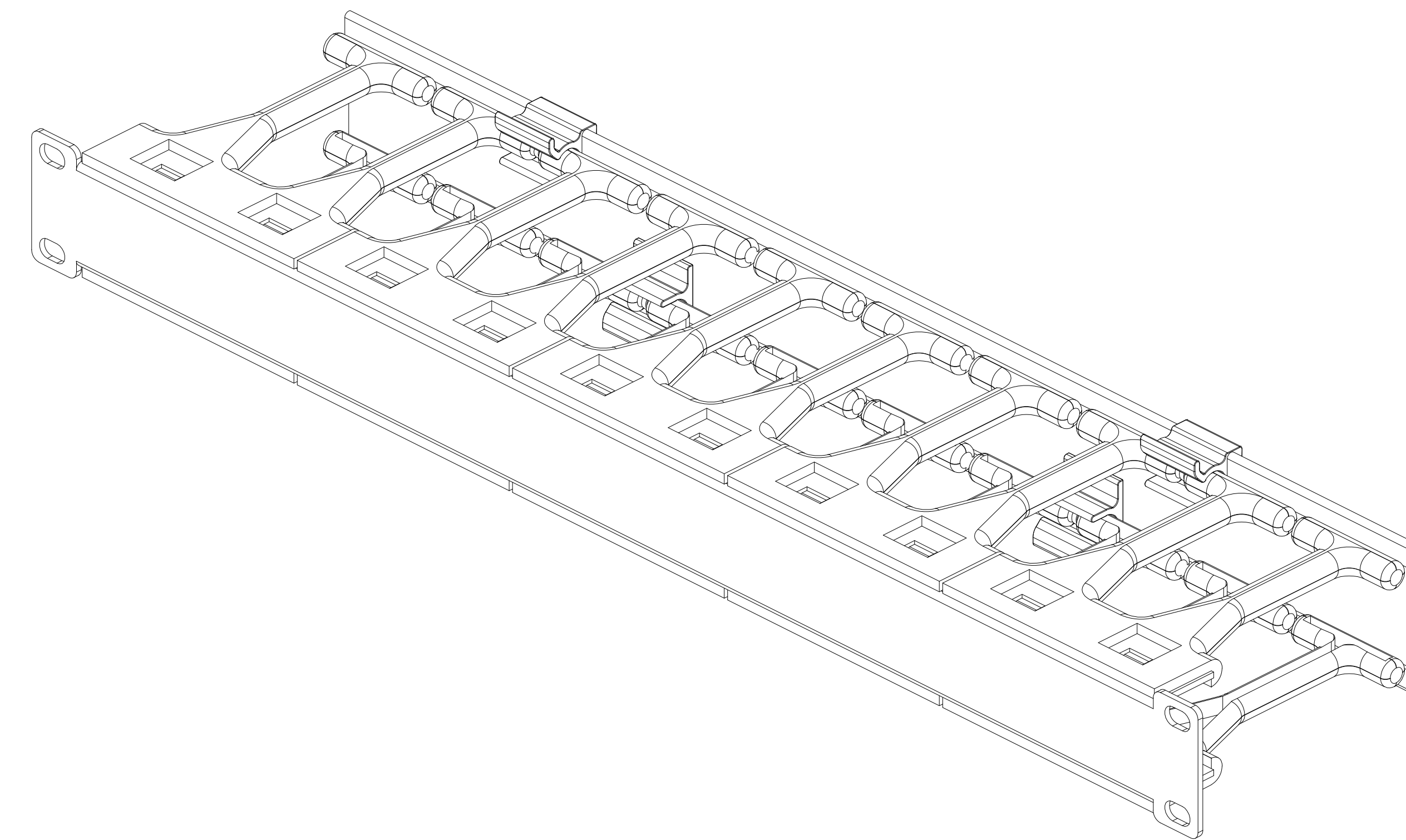


THIS DRAWING AND SPECIFICATIONS HEREIN ARE THE PROPERTY OF ENCONNEX LLC. AND SHALL NOT BE COPIED, REPRODUCED OR USED IN WHOLE OR IN PART, AS THE BASIS FOR THE MANUFACTURE OR SALE OF ITEMS WITHOUT THE WRITTEN PERMISSION OF ENCONNEX LLC. THIS DRAWING IS SUBJECT TO CHANGE WITHOUT NOTICE.

REVISIONS				
REV.	SUFFIX	DESCRIPTION	DATE	APPROVED
A		FULL RELEASED	2019.3.25	FANCY FAN
B		ADD LOGO AND MORE DIMENSIONS	2022.5.13	FANCY FAN




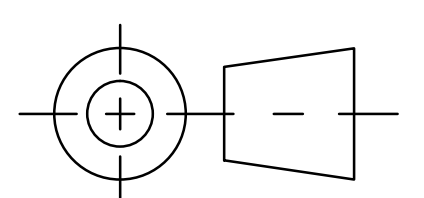
FRONT VIEW



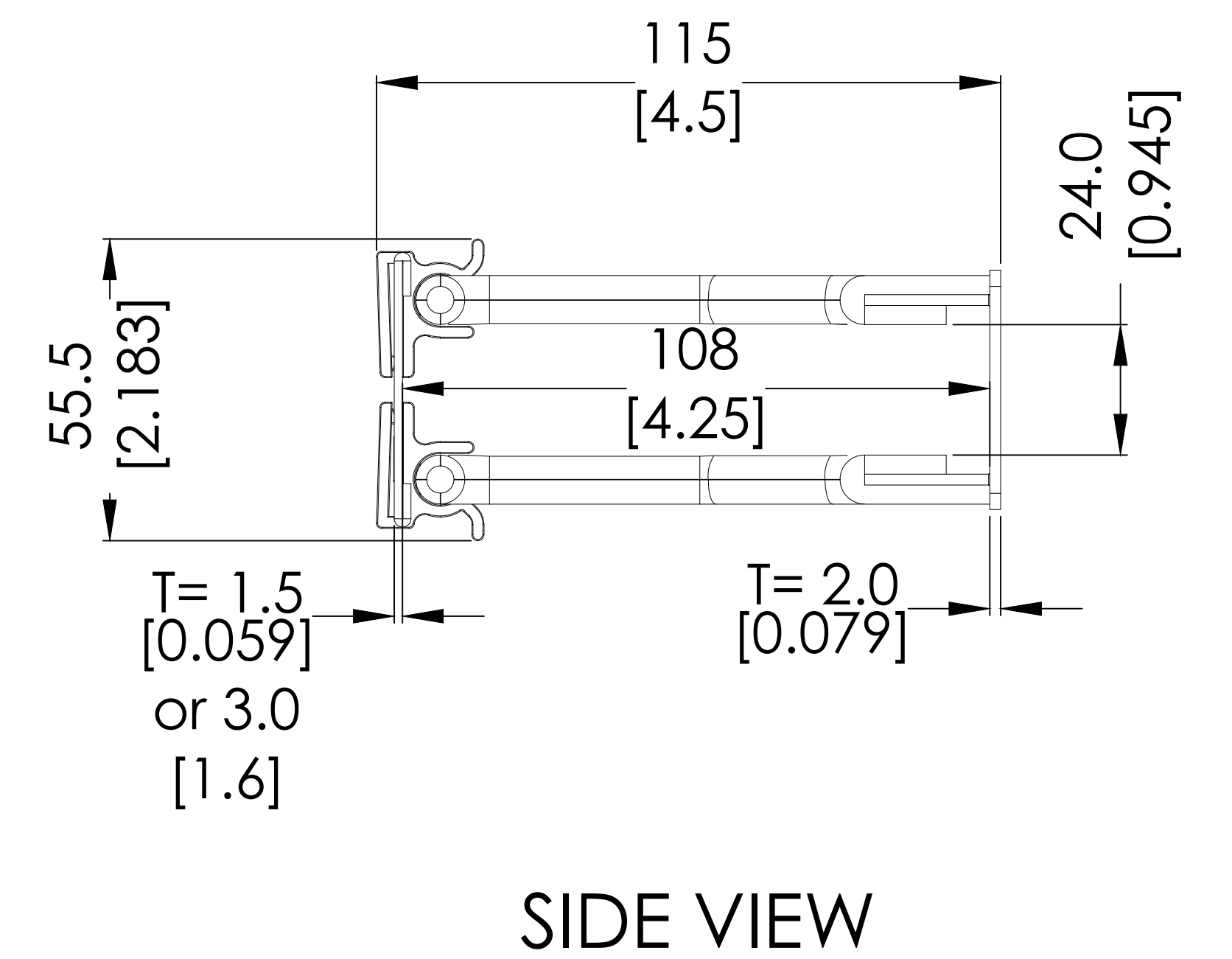
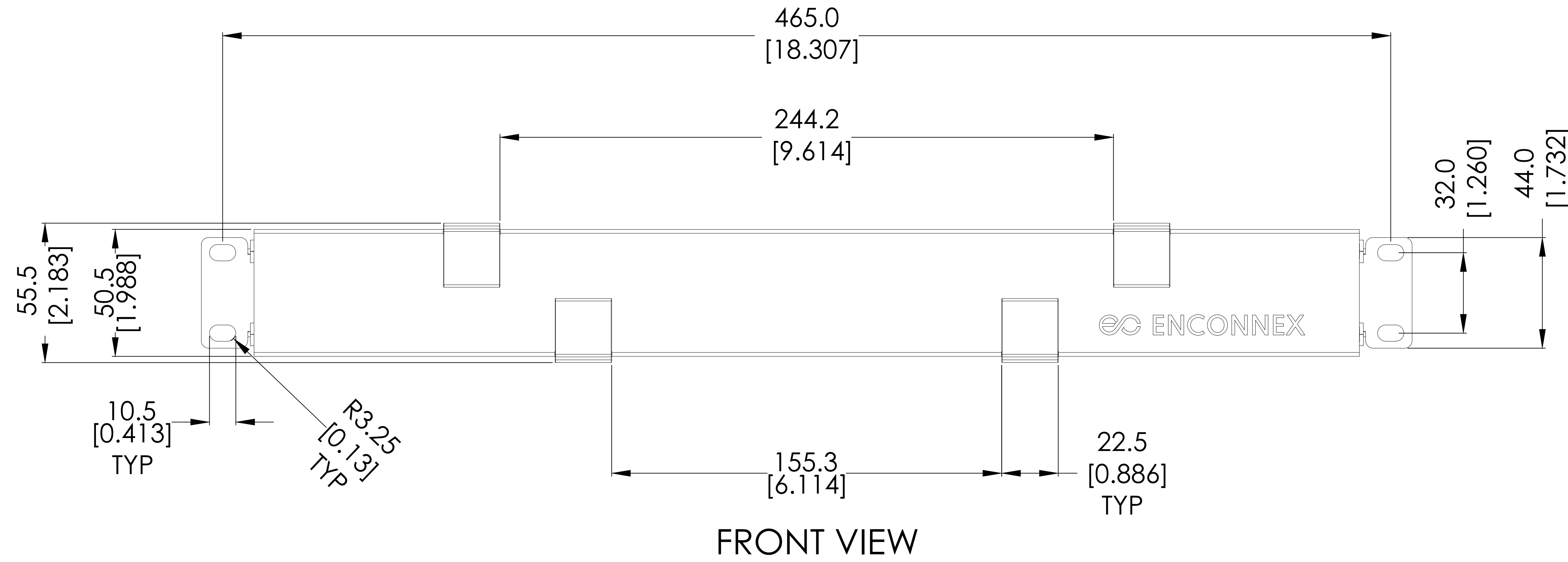
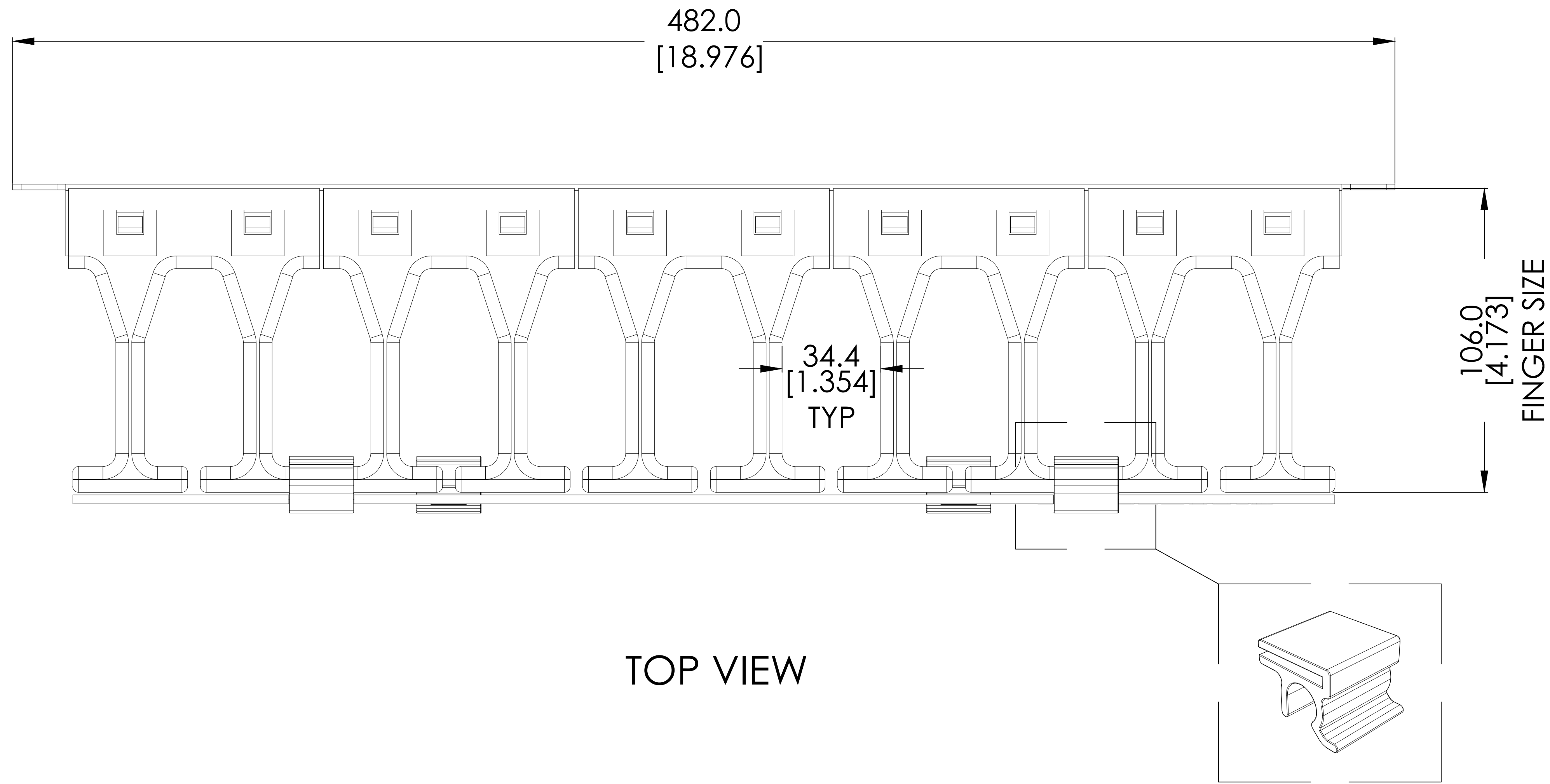
REAR VIEW


NOTES, UNLESS OTHERWISE SPECIFIED:

- MATERIAL: 2MM CRS, 1.5MM (OR 2MM) ALUMINUM AND PLASTIC
- FINISH: RAL 9005 TEXTURE
- PART MUST BE SUFFICIENTLY FREE OF BURRS AND SHARP EDGES TO PASS UL 1439 SHARP EDGE TEST.
- 3D CAD AVAILABLE IN ADDITION TO PDF PRINT. SHOULD DISCREPANCY ARISE, CONSULT ENCONNEX ENGINEERING IMMEDIATELY.
- ALL PARTS TO BE FREE OF DIRT OR GRIME THAT PREVENTS LABEL ADHESION OR ALLOWS TRANSFER ONTO COSMETIC AREAS.
- MUST BE ROHS COMPLIANT, INCLUDING HARDWARE. IF CONFLICTING SPECIFICATIONS EXIST, CONTACT ENCONNEX ENGINEERING.
- DIMENSIONS IDENTIFIED WITH (X.XX) ARE CONSIDERED CRITICAL TO QUALITY (CTQ) DIMENSIONS. THESE DIMENSIONS ARE EXPECTED TO BE MONITORED STATISTICALLY AND DOCUMENTED AS PART OF THE FABRICATION PROCESS.

UNLESS NOTED, DIMENSIONS IN MILLIMETERS & TOLERANCES ARE: X. ±1 MM X° ±1° X.X ±0.5 MM X.X° ±0.5° X.XX ±0.20 MM ØX.X ±0.3 MM ØX.XX ±0.10 MM		 4670 AIRCENTER CIRCLE, RENO, NV89502	PRODUCT LINE: CABLE MANAGEMENT
 THIRD ANGLE PROJECTION			PART NUMBER: ECX-CBLMGR-HZ-1U
DRAWING FILE NAME ECX-CBLMGR-HZ-1U		ENGINEER: FANCY FAN	ORG DATE:2019.3.25
3D MODEL FILE NAME ECX-CBLMGR-HZ-1U		DRAWN: AMY ZHU	REV DATE:2022.5.13
3D MODEL CONFIGURATION Default		DESCRIPTION: 1U horizontal cable manager, double sided snap hinges. Metal bottom, plastic fingers and aluminum cover.	
UNITS:MM[IN]		INTERPRET TO ASME Y14.100	ITEM WEIGHT (REFERENCE ONLY)
SIZE: B		SCALE:N/A	DO NOT SCALE DRAWING
			REV: B
			SHEET: 1/3

THIS DRAWING AND SPECIFICATIONS HEREIN ARE THE PROPERTY OF ENCONNEX LLC. AND SHALL NOT BE COPIED, REPRODUCED OR USED IN WHOLE OR IN PART, AS THE BASIS FOR THE MANUFACTURE OR SALE OF ITEMS WITHOUT THE WRITTEN PERMISSION OF ENCONNEX LLC. THIS DRAWING IS SUBJECT TO CHANGE WITHOUT NOTICE.




UNLESS NOTED, DIMENSIONS IN MILLIMETERS & TOLERANCES ARE:			PRODUCT LINE: CABLE MANAGEMENT	
X.	± 1 MM		X°	± 1°
X.X	± 0.5 MM	X.X°	± 0.5°	PART NUMBER: ECX-CBLMGR-HZ-1U
X.XX	± 0.20 MM	4670 AIRCENTER CIRCLE, RENO, NV89502		DESCRIPTION: 1U horizontal cable manager, double sided snap hinges. Metal bottom, plastic fingers and aluminum cover.
ØX.X	± 0.3 MM	DRAWING FILE NAME ECX-CBLMGR-HZ-1U		ENGINEER: FANCY FAN
ØX.XX	± 0.10 MM	3D MODEL FILE NAME ECX-CBLMGR-HZ-1U		ORG DATE:2019.3.25
THIRD ANGLE PROJECTION		3D MODEL CONFIGURATION Default		DRAWN: AMY ZHU
UNITS:MM[IN]		INTERPRET TO ASME Y14.100		REV DATE:2022.5.13
SIZE: B		ITEM WEIGHT (REFERENCE ONLY)		REV: B
SCALE:N/A		DO NOT SCALE DRAWING		SHEET: 2/3

THIS DRAWING AND SPECIFICATIONS HEREIN ARE THE PROPERTY OF ENCONNEX LLC. AND SHALL NOT BE COPIED, REPRODUCED OR USED IN WHOLE OR IN PART, AS THE BASIS FOR THE MANUFACTURE OR SALE OF ITEMS WITHOUT THE WRITTEN PERMISSION OF ENCONNEX LLC. THIS DRAWING IS SUBJECT TO CHANGE WITHOUT NOTICE.



SILKSCREEN
 COLOR-[R:255 G:255 B:255]

UNLESS NOTED, DIMENSIONS IN MILLIMETERS & TOLERANCES ARE: X. ± 1 MM X° ± 1° X.X ± 0.5 MM X.X° ± 0.5° X.XX ± 0.20 MM ØX.X ± 0.3 MM ØX.XX ± 0.10 MM	 ENCONNEX 4670 AIRCENTER CIRCLE, RENO, NV89502	PRODUCT LINE: CABLE MANAGEMENT	
		PART NUMBER: ECX-CBLMGR-HZ-1U	
DRAWING FILE NAME ECX-CBLMGR-HZ-1U		ENGINEER: FANCY FAN	ORG DATE:2019.3.25
3D MODEL FILE NAME ECX-CBLMGR-HZ-1U		DRAWN: AMY ZHU	REV DATE:2022.5.13
3D MODEL CONFIGURATION Default		ITEM WEIGHT (REFERENCE ONLY)	
UNITS:MM[IN]		INTERPRET TO ASME Y14.100	SIZE: B
SCALE:N/A		DO NOT SCALE DRAWING	
SHEET: 3/3		REV: B	

F
E
D
C
B
A

F
E
D
C
B
A

8 7 6 5 4 3 2 1

8 7 6 5 4 3 2 1