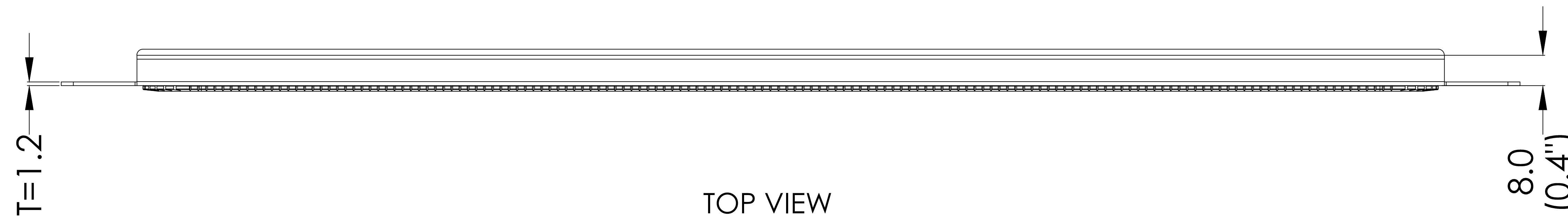
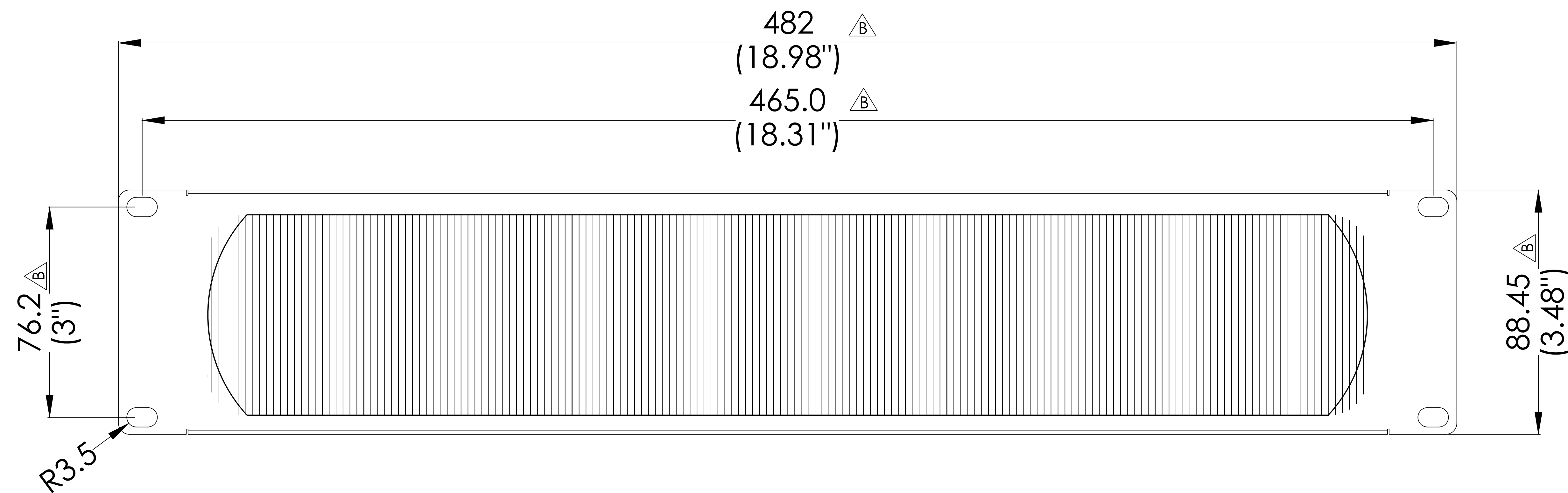


THIS DRAWING AND SPECIFICATIONS HEREIN ARE THE PROPERTY OF ENCONNEX LLC. AND SHALL NOT BE COPIED, REPRODUCED OR USED IN WHOLE OR IN PART, AS THE BASIS FOR THE MANUFACTURE OR SALE OF ITEMS WITHOUT THE WRITTEN PERMISSION OF ENCONNEX LLC. THIS DRAWING IS SUBJECT TO CHANGE WITHOUT NOTICE.

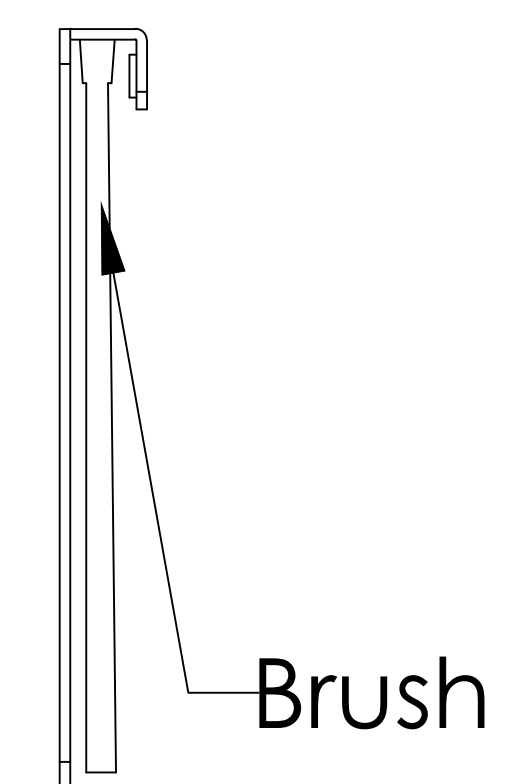
REVISIONS				
REV.	SUFFIX	DESCRIPTION	DATE	APPROVED
A		FULL RELEASED	2019.03.25	RF
B		REVISE DIMENSIONS OF HOLE TO HOLE AND REVISE PHYSICAL DIMENSIONS	2022.07.22	CARSON TAO



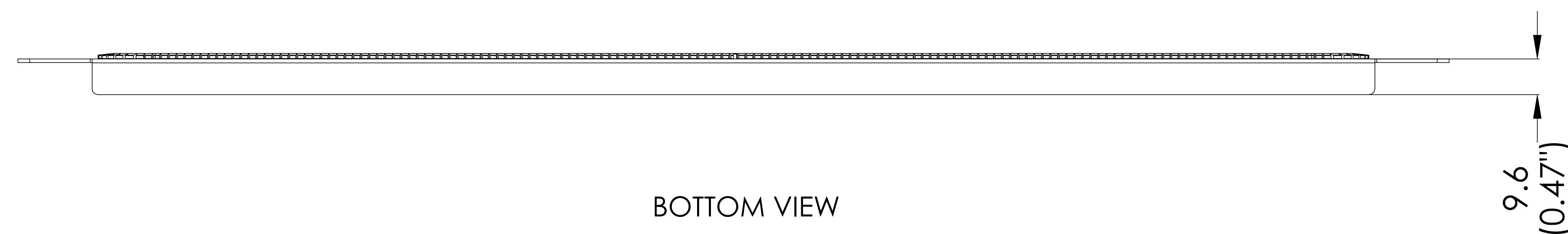
TOP VIEW



FRONT VIEW



SIDE VIEW



BOTTOM VIEW

UNLESS NOTED, DIMENSIONS IN MILLIMETERS & TOLERANCES ARE: X. ±1 MM X° ±1° X.X ±0.5 MM X.X° ±0.5° X.XX ±0.20 MM ØX.X ±0.3 MM ØX.XX ±0.10 MM		PRODUCT LINE: Cabinet & Accessory	
		PART NUMBER: ECX-BRUSHPAL-2U	
	4670 AIRCENTER CIRCLE, RENO, NV89502	DESCRIPTION: 2U Brush Panel	
		DRAWING FILE NAME ECX-BRUSHPAL-2U	ENGINEER: CARSON TAO
THIRD ANGLE PROJECTION	3D MODEL FILE NAME ECX-BRUSHPAL-2U	DRAWN: ZACH CHENG	REV DATE: 2022.07.22
UNITS:MM[IN]	INTERPRET TO ASME Y14.100	SIZE: B	SCALE:N/A
		DO NOT SCALE DRAWING	SHEET:1/1

NOTE:  
1. MATERIAL : 1.2MM CRS;  
2. FINISH:RAL 9005 TEXTURE.