

LOCKING LATCHES

Single front mesh door

Split rear mesh doors


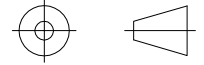


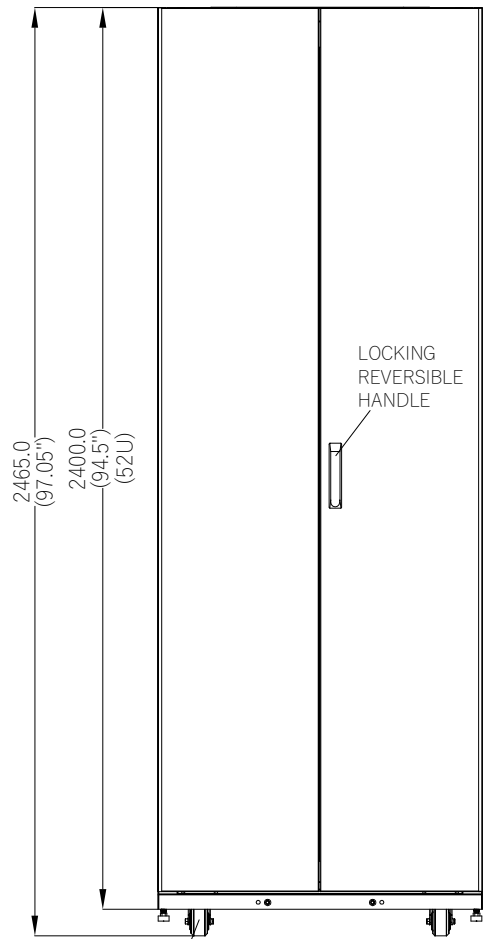
Keys
(for doors and side panels)

Front Door

Rear Doors

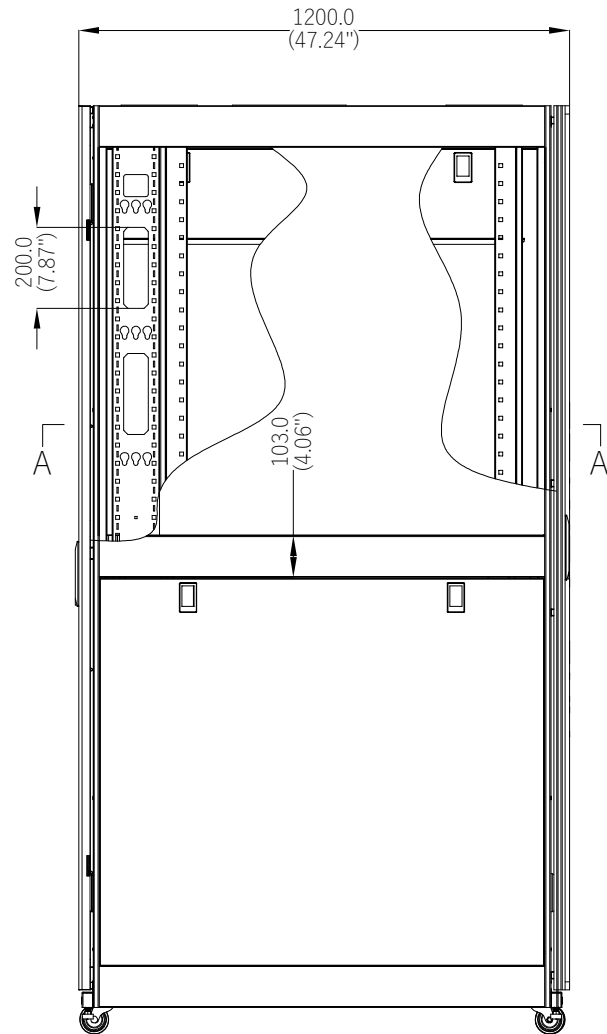
Notes:
This drawing and specifications are the property of ENCONNEX and shall not be copied, reproduced or used in whole or in part, as the basis for the manufacture or sale of items without written permission from ENCONNEX. This drawing is the based upon latest available information and is subject to change without notice.

		TITLE: SERVER RACK 800mm W X 1200mm D X 52U	ECX NO: ECX-81252-C3
	DRAWN BY: AMY ZHU APPROVED BY: SAM DING	DATE: 2018-12-27 REV DATE: 2018-12-27	MATERIAL: -----
UNIT: mm & IN	SCALE: 1 : 1	PAGE: 1/5	REV: A

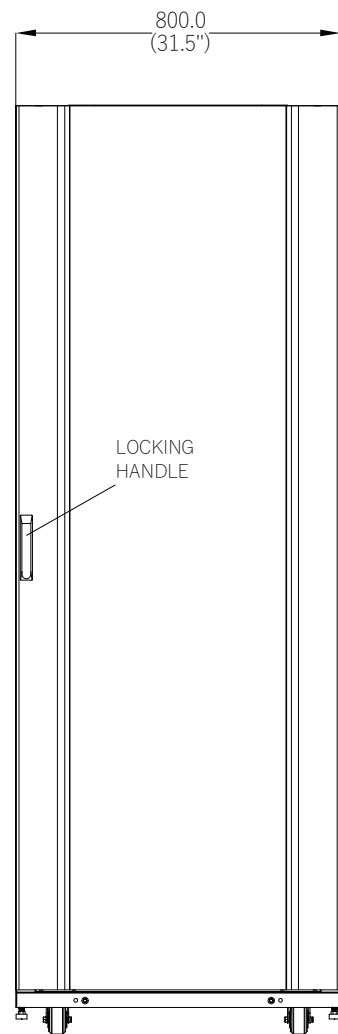


Rear View

3" Heavy Duty Casters


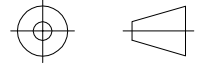


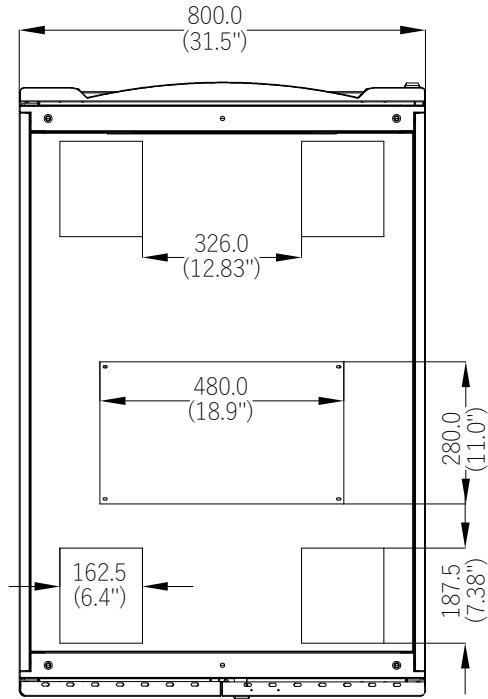
Side View



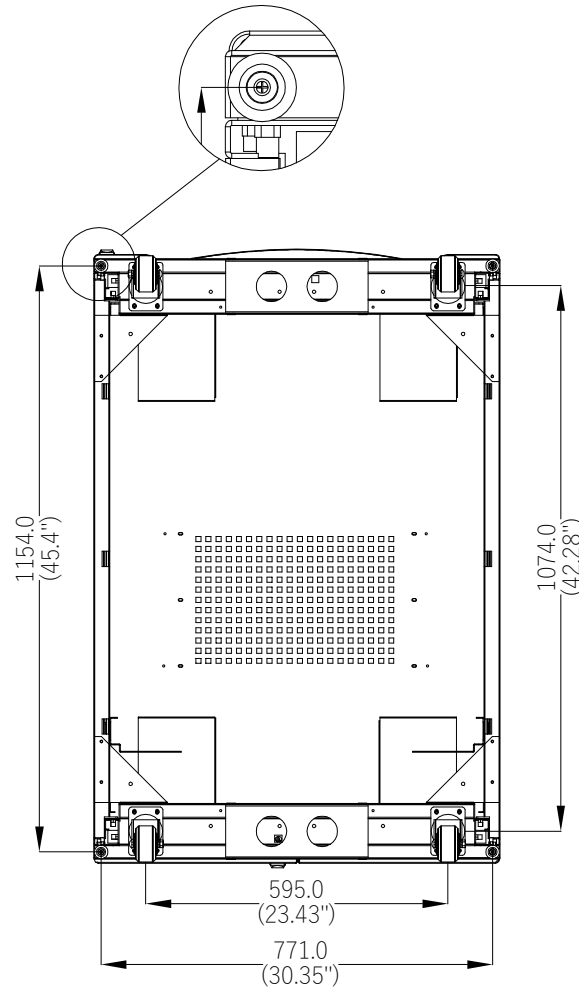
Front View

Notes:
This drawing and specifications are the property of ENCONNEX and shall not be copied, reproduced or used in whole or in part, as the basis for the manufacture or sale of items without written permission from ENCONNEX. This drawing is the based upon latest available information and is subject to change without notice.

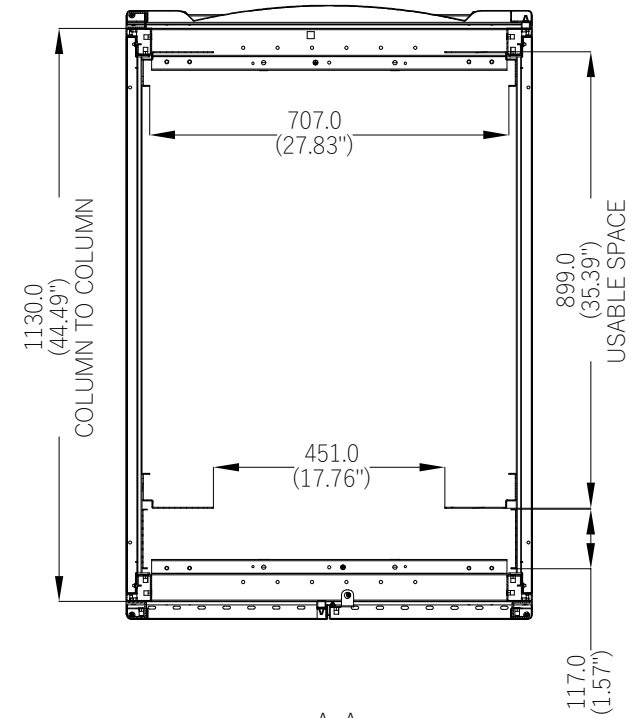
		TITLE: SERVER RACK 800mm W X 1200mm D X 52U	ECX NO: ECX-81252-C3
	DRAWN BY: AMY ZHU	DATE: 2018-12-27	MATERIAL: -----
APPROVED BY: SAM DING	REV DATE: 2018-12-27	UNIT: mm & IN	SCALE: 1 : 1
PAGE: 2/5	REV: A		



Top View



Bottom View

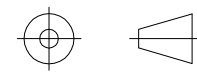


A-A

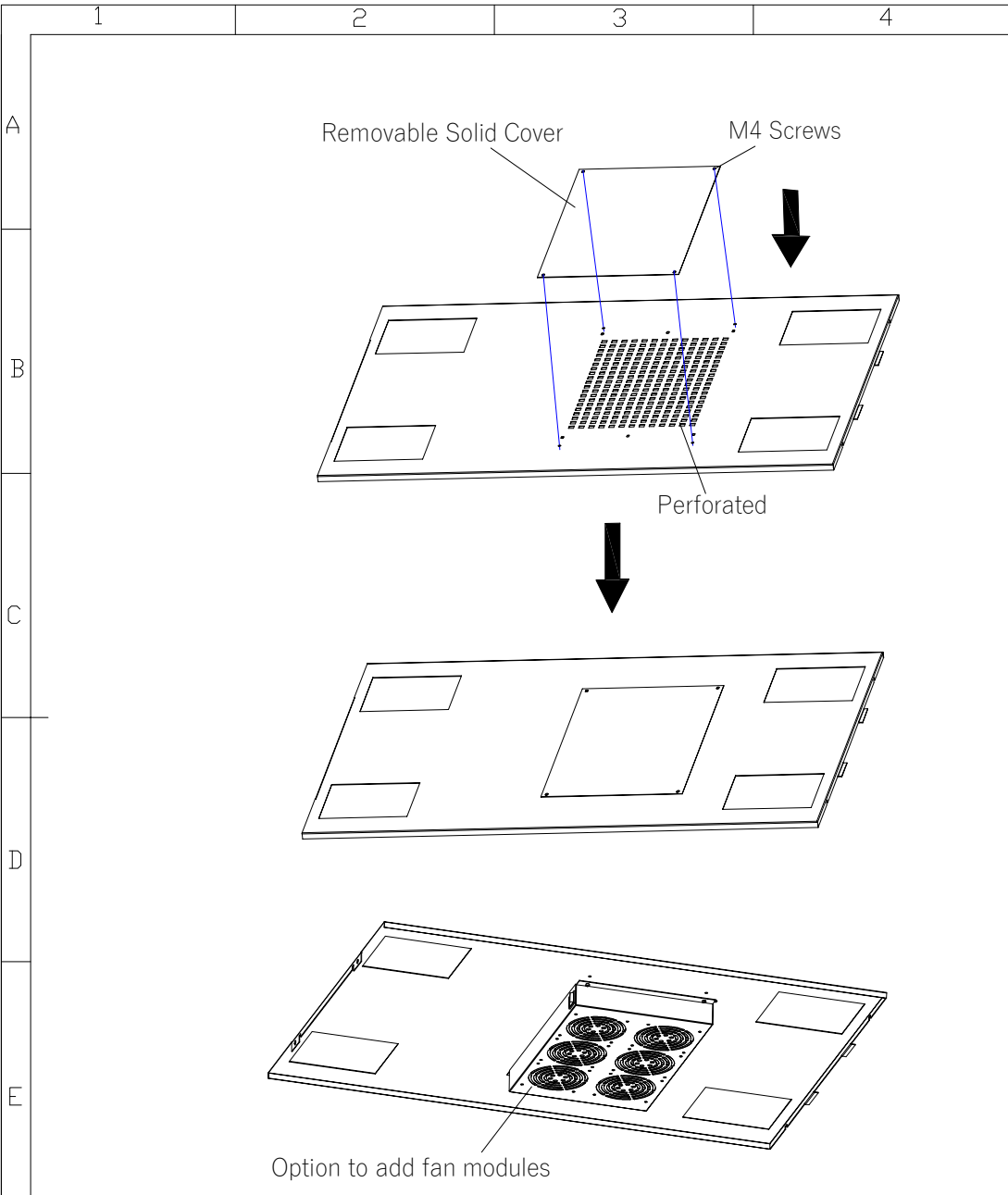
Profile View

Notes:

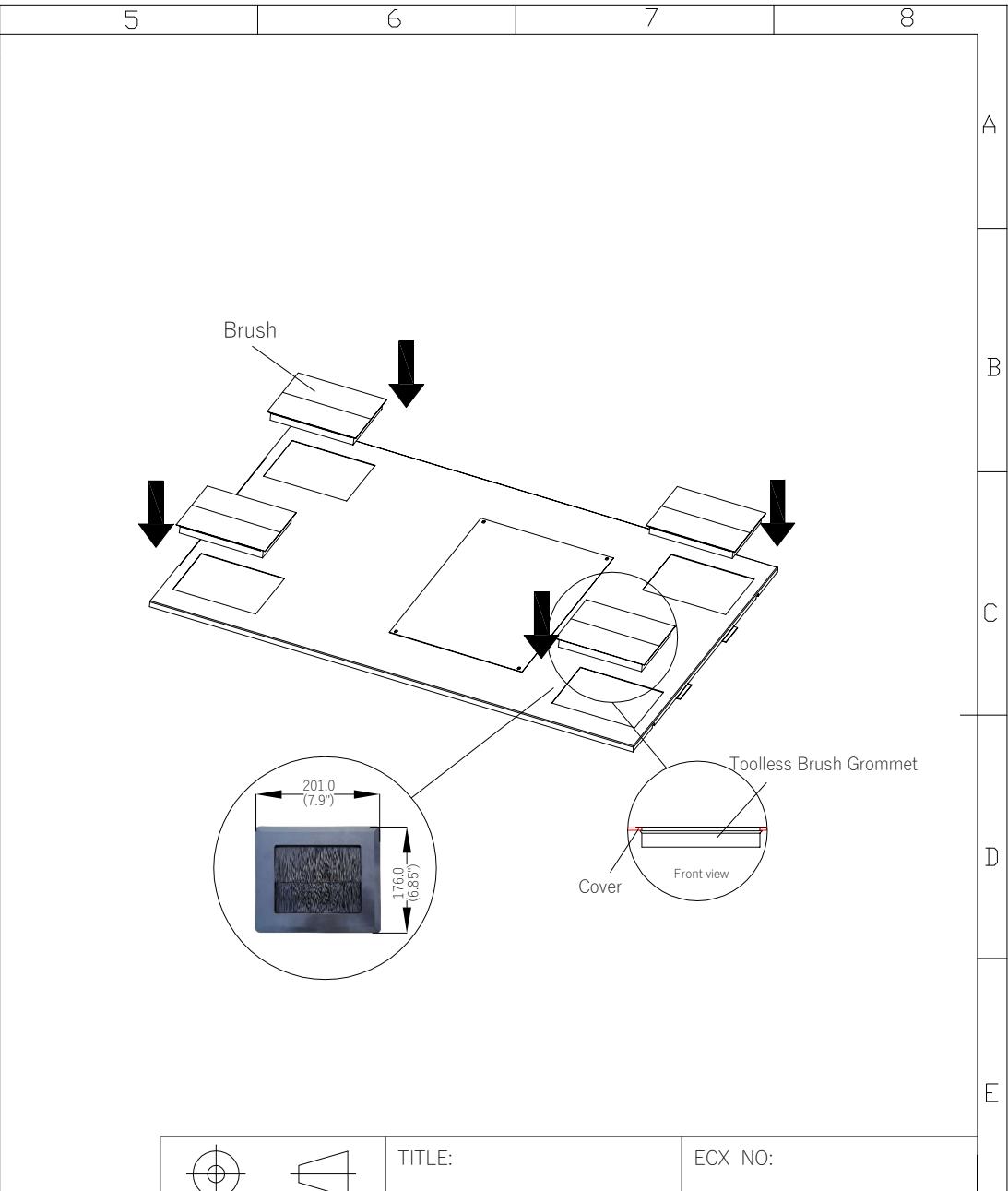
This drawing and specifications are the property of ENCONNEX and shall not be copied, reproduced or used in whole or in part, as the basis for the manufacture or sale of items without written permission from ENCONNEX. This drawing is based upon latest available information and is subject to change without notice.



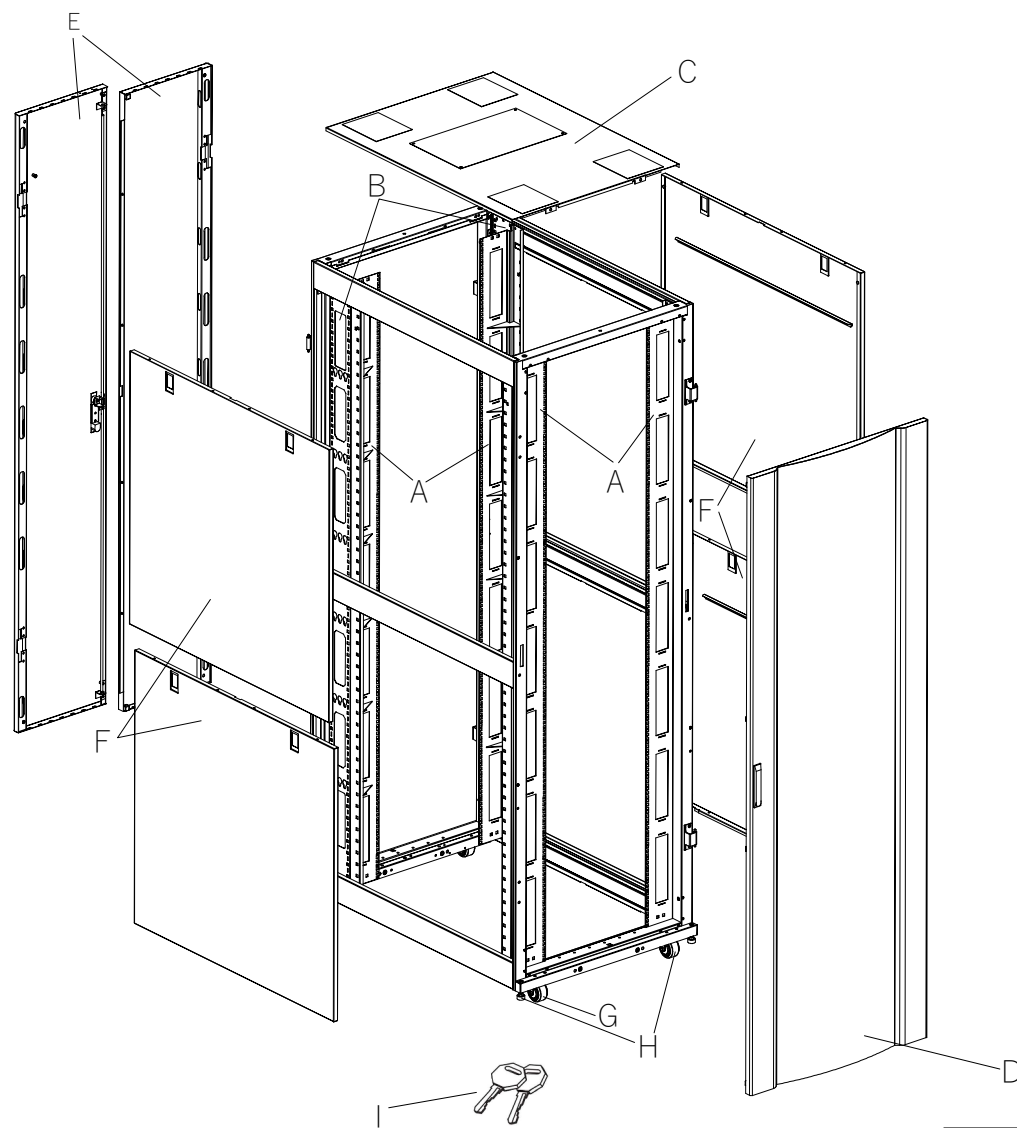
TITLE: SERVER RACK 800mm W X 1200mm D X 24U		ECX NO: ECX-81252-C3	
DRAWN BY: AMY ZHU		DATE: 2018-12-27	
APPROVED BY: SAM DING		REV DATE: 2018-12-27	
UNIT: mm & IN	SCALE: 1 : 1	PAGE: 3/5	REV: A



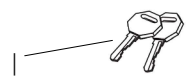
Notes:
 This drawing and specifications are the property of ENCONNEX and shall not be copied, reproduced or used in whole or in part, as the basis for the manufacture or sale of items without written permission from ENCONNEX. This drawing is based upon latest available information and is subject to change without notice.



	TITLE:	ECX NO:	
	ROOF	ECX-ROOF-812-04	
DRAWN BY:	AMY ZHU	DATE:	2018-12-17
APPROVED BY:	SAM DING	REV DATE:	2018-12-17
UNIT: mm & IN	SCALE: 1:1	PAGE: 4/5	REV: A




- A** Adjustable Mounting Rails
- B** Adjustable PDU Mounting Rails
Rails with Toolless Mounting Slots
- C** Roof Panel (Removable)
- D** Front Door
(Lockable/Removable/Reversible)
- E** Split Rear Doors
(Lockable/removable)
- F** Side Panels
- G** Heavy-Duty Casters
- H** Heavy-Duty Levelers
- I** Keys
(For doors and side panels)



Notes:

This drawing and specifications are the property of ENCONNEX and shall not be copied, reproduced or used in whole or in part, as the basis for the manufacture or sale of items without written permission from ENCONNEX. This drawing is based upon latest available information and is subject to change without notice.

	TITLE: SERVER RACK 800mm W X 1200mm D X 52U	ECX NO: ECX-81252-C3
	DRAWN BY: AMY ZHU APPROVED BY: SAM DING	MATERIAL: ----- DATE: 2018-12-27 REV DATE: 2018-12-27
UNIT: mm & IN SCALE: 1 : 1	PAGE: 5/5	REV: A