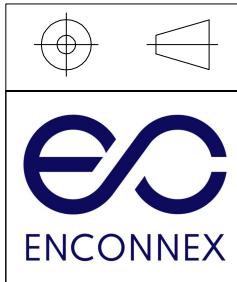
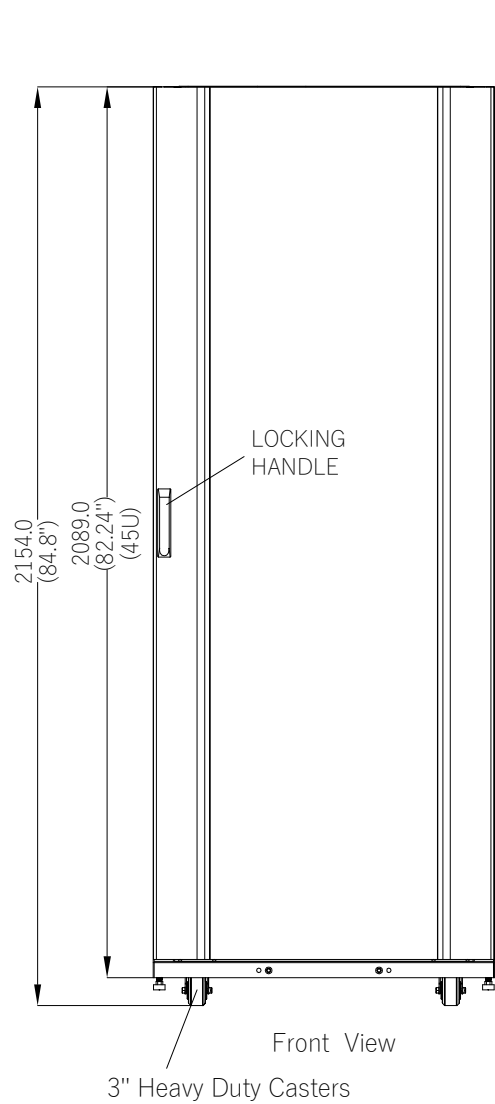


Notes:

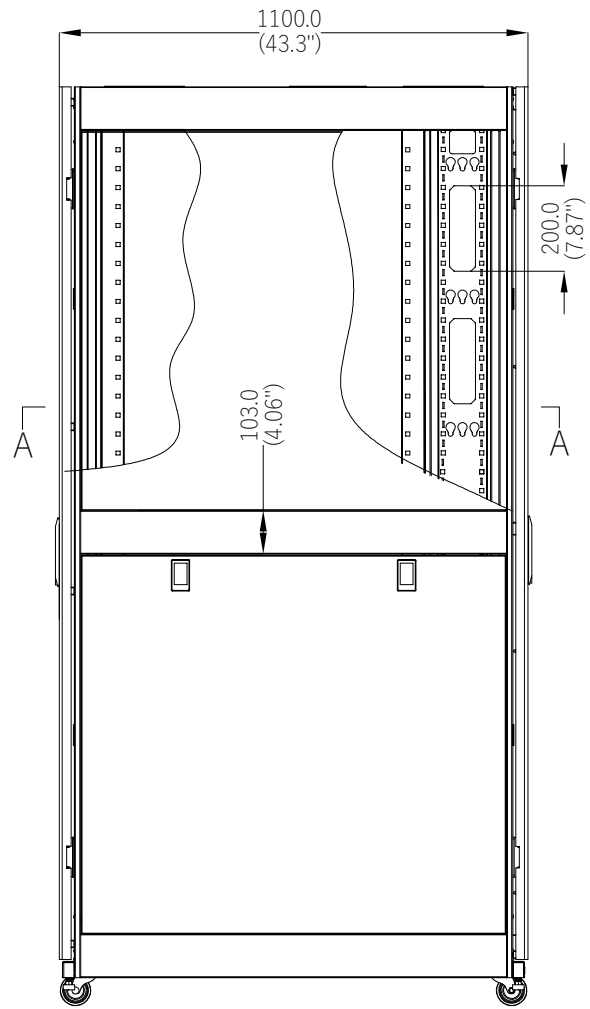
This drawing and specifications are the property of ENCONNEX and shall not be copied, reproduced or used in whole or in part, as the basis for the manufacture or sale of items without written permission from ENCONNEX. This drawing is based upon latest available information and is subject to change without notice.



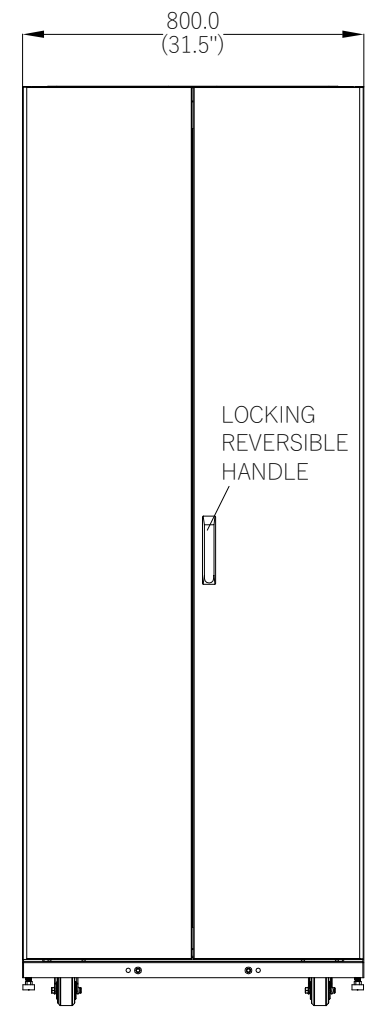
TITLE: SERVER RACK 800mm W X 1100mm D X 45U		ECX NO: ECX-81145-C3	
DRAWN BY: AMY ZHU		DATE: 2018-12-27	
APPROVED BY: SAM DING		REV DATE: 2018-12-27	
UNIT: mm & IN	SCALE: 1:1	PAGE: 1/5	REV: A



Front View




Side View

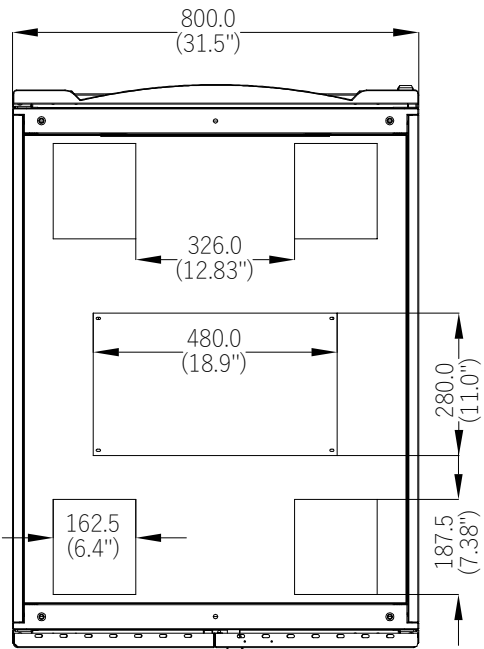


Rear View

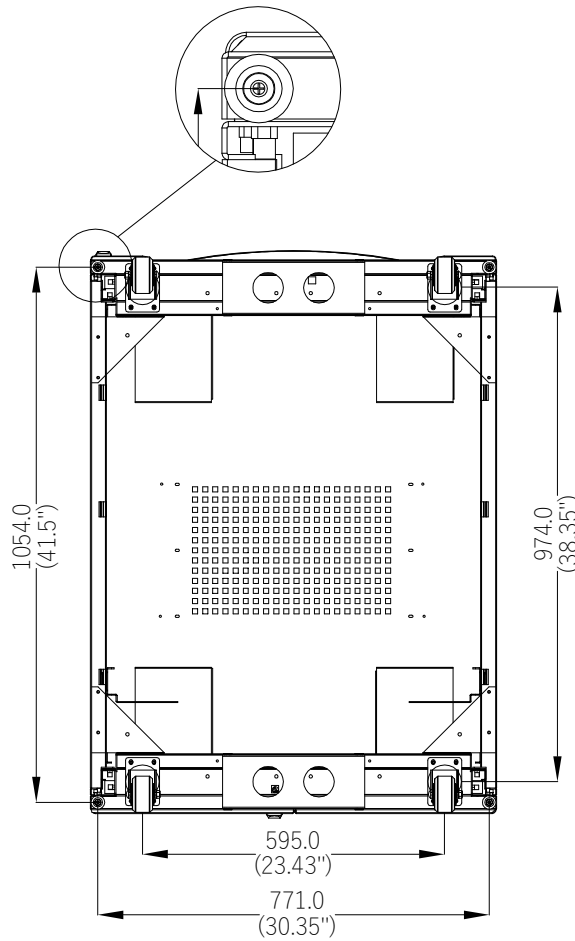
Notes:

This drawing and specifications are the property of ENCONNEX and shall not be copied, reproduced or used in whole or in part, as the basis for the manufacture or sale of items without written permission from ENCONNEX. This drawing is based upon latest available information and is subject to change without notice.

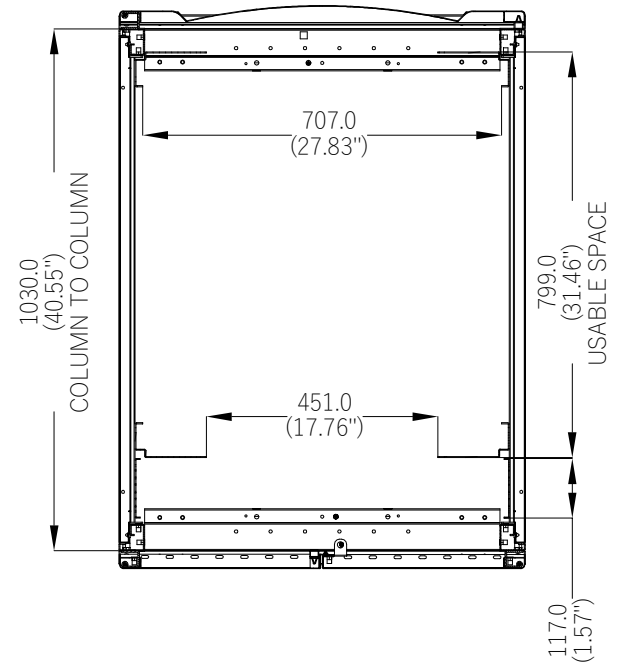
	TITLE: SERVER RACK 800mm W X 1100mm D X 45U	ECX NO: ECX-81145-C3
	DRAWN BY: AMY ZHU APPROVED BY: SAM DING	MATERIAL: ----- DATE: 2018-12-27 REV DATE: 2018-12-27
UNIT: mm & IN SCALE: 1:1	PAGE: 2/5	REV: A



Top View




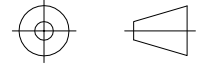
Bottom View

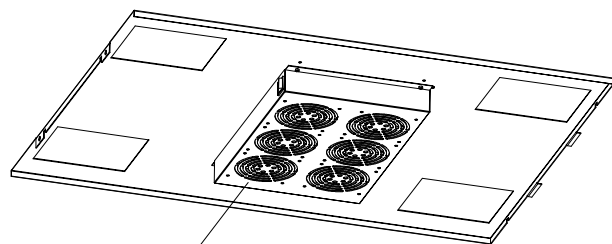
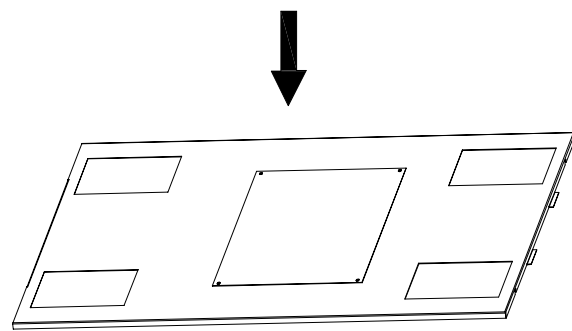
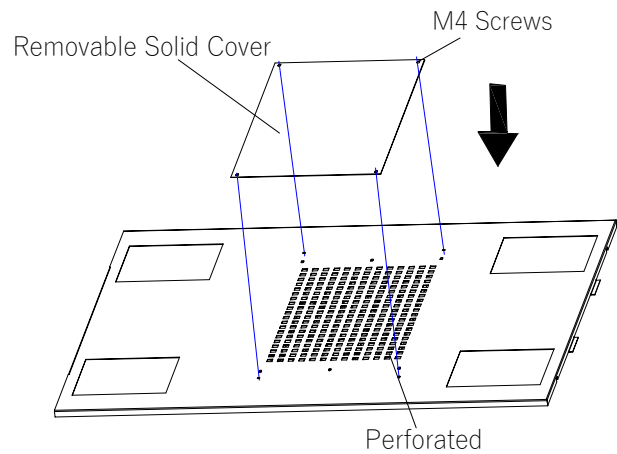


A-A  
Profile view

Notes:

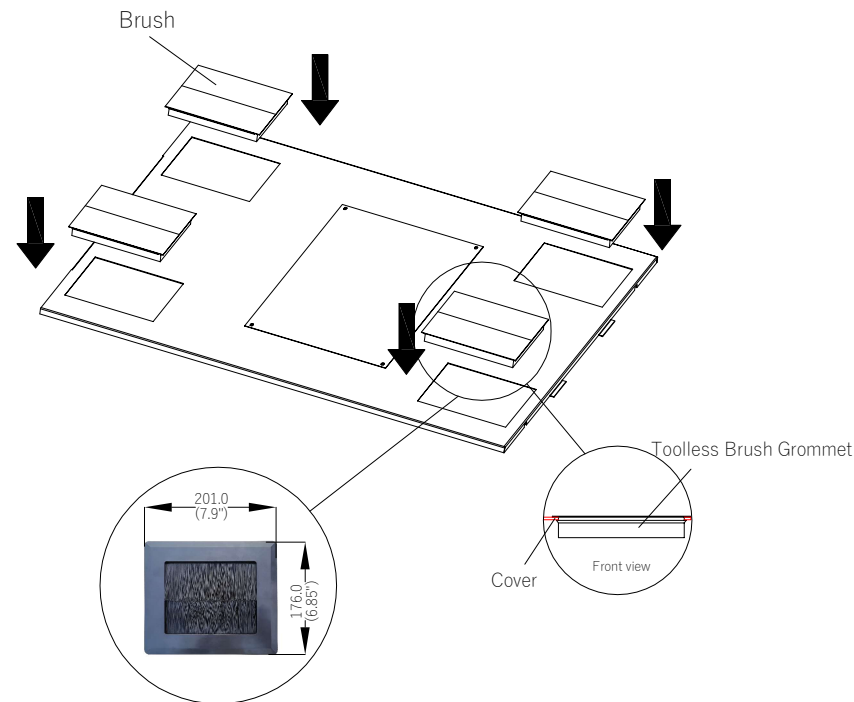
This drawing and specifications are the property of ENCONNEX and shall not be copied, reproduced or used in whole or in part, as the basis for the manufacture or sale of items without written permission from ENCONNEX. This drawing is based upon latest available information and is subject to change without notice.


		<b>TITLE:</b> SERVER RACK 800mm W X 1100mm D X 24U	<b>ECX NO:</b> ECX-81145-C3
	<b>DRAWN BY:</b> AMY ZHU <b>APPROVED BY:</b> SAM DING	<b>MATERIAL:</b> ----- <b>DATE:</b> 2018-12-27 <b>REV DATE:</b> 2018-12-27	<b>UNIT:</b> mm & IN <b>SCALE:</b> 1 : 1 <b>PAGE:</b> 3/5 <b>REV:</b> A

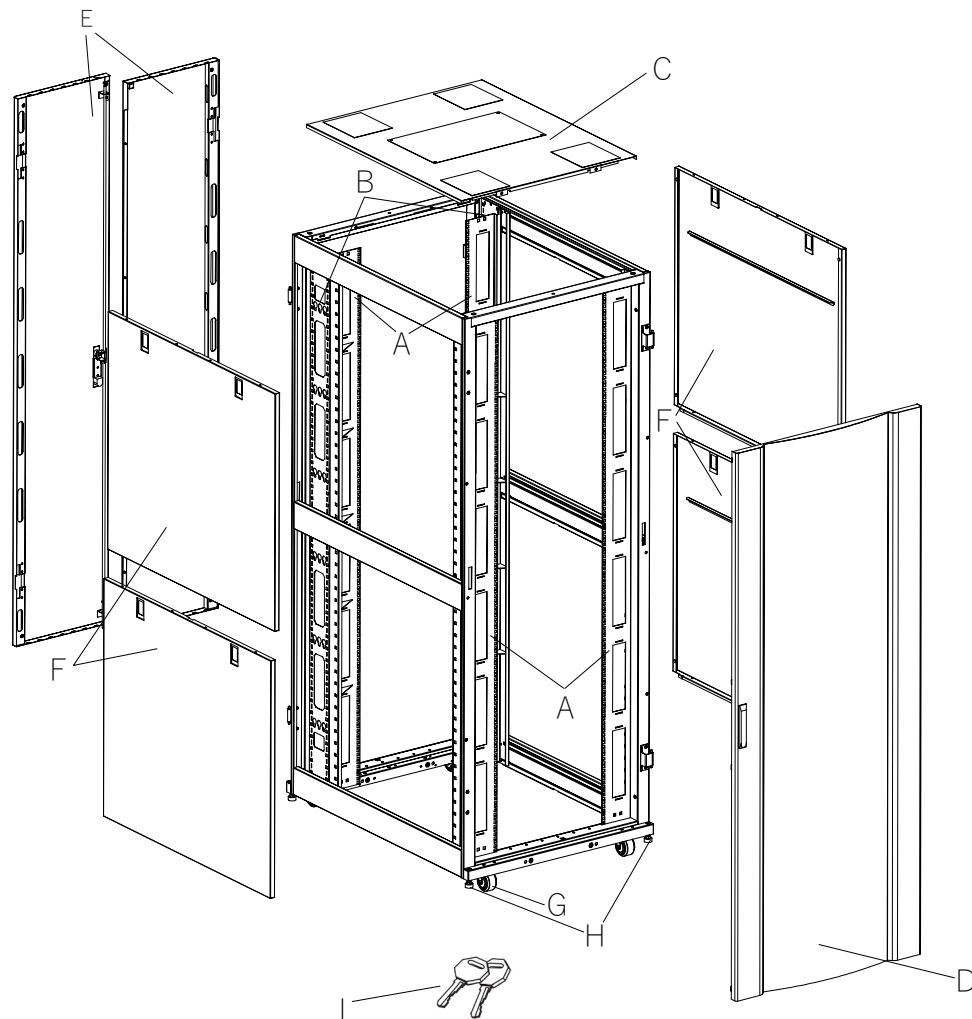


Notes:

This drawing and specifications are the property of ENCONNEX and shall not be copied, reproduced or used in whole or in part, as the basis for the manufacture or sale of items without written permission from ENCONNEX. This drawing is based upon latest available information and is subject to change without notice.




	TITLE: ROOF		ECX NO: ECX-ROOF-811-04	
	DRAWN BY: AMY ZHU		DATE: 2018-12-17	
APPROVED BY: SAM DING		REV DATE: 2018-12-17		
UNIT: mm & IN	SCALE: 1:1	PAGE: 4/5	REV: A	



- A** Adjustable Mounting Rails
- B** Adjustable PDU Mounting Rails  
Rails with Toolless Mounting Slots
- C** Roof Panel (Removable)
- D** Front Door  
(Lockable/Removable/Reversible)
- E** Split Rear Doors  
(Lockable/removable)
- F** Side Panels
- G** Heavy-Duty Casters
- H** Heavy-Duty Levelers
- I** Keys  
(For doors and side panels)

**Notes:**

This drawing and specifications are the property of ENCONNEX and shall not be copied, reproduced or used in whole or in part, as the basis for the manufacture or sale of items without written permission from ENCONNEX. This drawing is based upon latest available information and is subject to change without notice.

	TITLE: SERVER RACK 800mm W X 1100mm D X 45U	ECX NO: ECX-81145-C3
	DRAWN BY: AMY ZHU	DATE: 2018-12-27
APPROVED BY: SAM DING	REV DATE: 2018-12-27	MATERIAL: -----
UNIT: mm & IN	SCALE: 1:1	PAGE: 5/5
		REV: A