
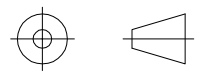
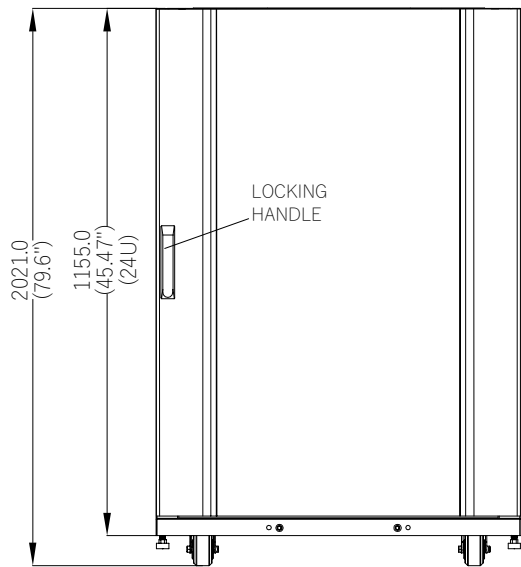


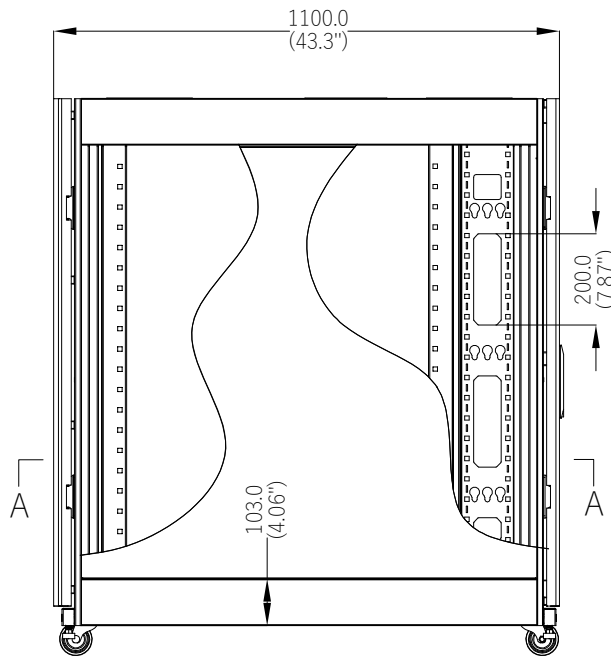
Keys
(for doors and side panels)

Notes:
This drawing and specifications are the property of ENCONNEX and shall not be copied, reproduced or used in whole or in part, as the basis for the manufacture or sale of items without written permission from ENCONNEX. This drawing is based upon latest available information and is subject to change without notice.

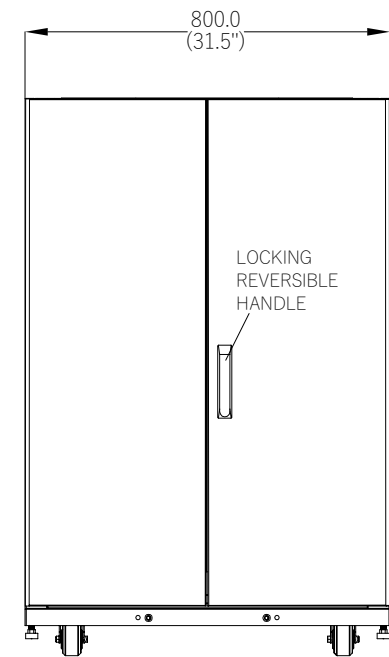
		TITLE: SERVER RACK 800mm W X 1100mm D X 24U	ECX NO: ECX-81124-C3
	DRAWN BY: AMY ZHU		MATERIAL: ----- DATE: 2018-12-27
APPROVED BY: SAM DING		REV DATE: 2018-12-27	
UNIT: mm & IN	SCALE: 1:1	PAGE: 1/5	REV: A



Front View



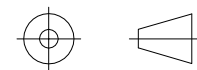
Side View



Rear View

Notes:

This drawing and specifications are the property of ENCONNEX and shall not be copied, reproduced or used in whole or in part, as the basis for the manufacture or sale of items without written permission from ENCONNEX. This drawing is based upon latest available information and is subject to change without notice.



TITLE:
 SERVER RACK
 800mm W X 1100mm D
 X 24U

ECX NO:
 ECX-81124-C3

DRAWN BY: AMY ZHU

MATERIAL: -----

APPROVED BY: SAM DING

DATE: 2018-12-27

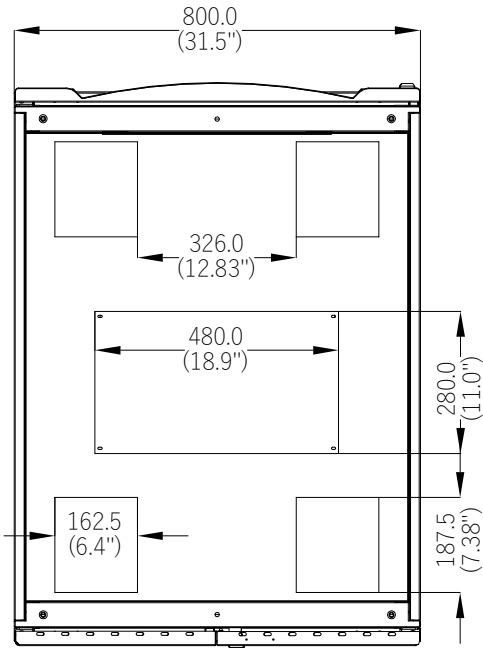
REV DATE: 2018-12-27

UNIT: mm & IN

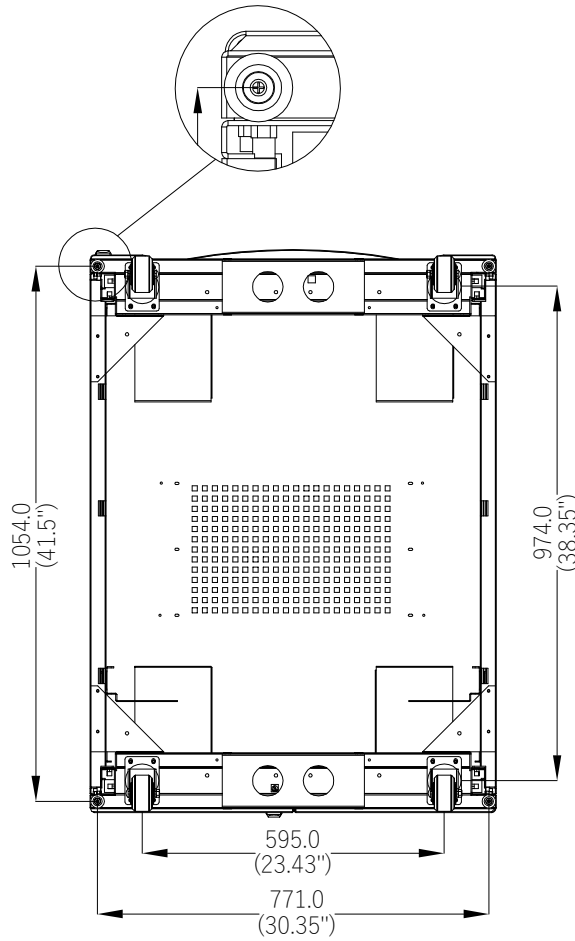
SCALE: 1 : 1

PAGE: 2/5

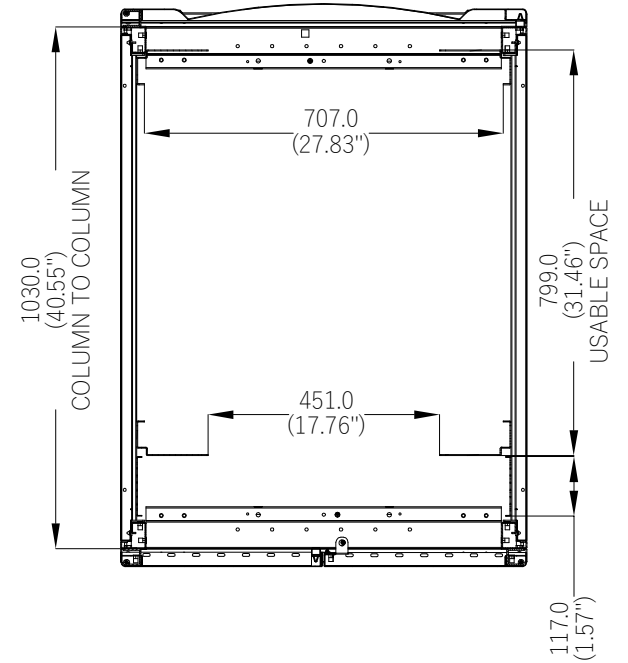
REV: A



Top View



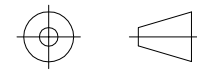
Bottom View



A-A
Profile view

Notes:

This drawing and specifications are the property of ENCONNEX and shall not be copied, reproduced or used in whole or in part, as the basis for the manufacture or sale of items without written permission from ENCONNEX. This drawing is based upon latest available information and is subject to change without notice.



TITLE:
SERVER RACK
800mm W X 1100mm D
X 24U

ECX NO:
ECX-81124-C3

DRAWN BY: AMY ZHU

MATERIAL: -----

APPROVED BY: SAM DING

DATE: 2018-12-27

REV DATE: 2018-12-27

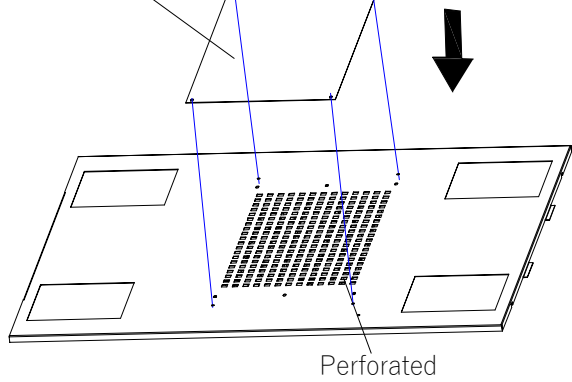
UNIT: mm & IN

SCALE: 1 : 1

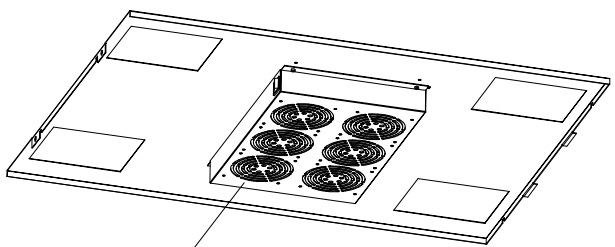
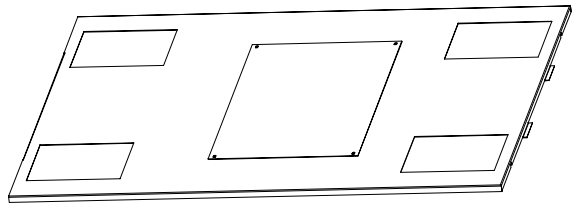
PAGE: 3/5

REV: A

Removable Solid Cover
M4 Screws

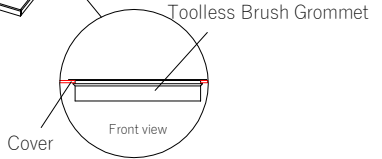
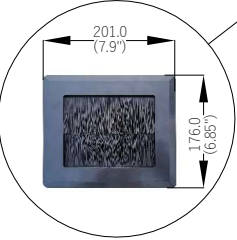
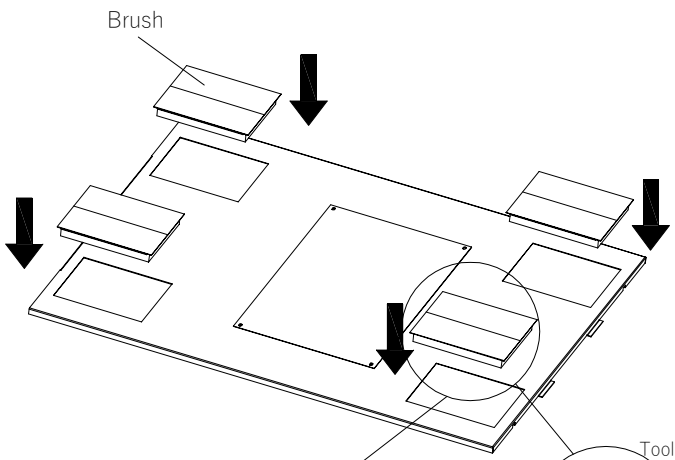



Perforated

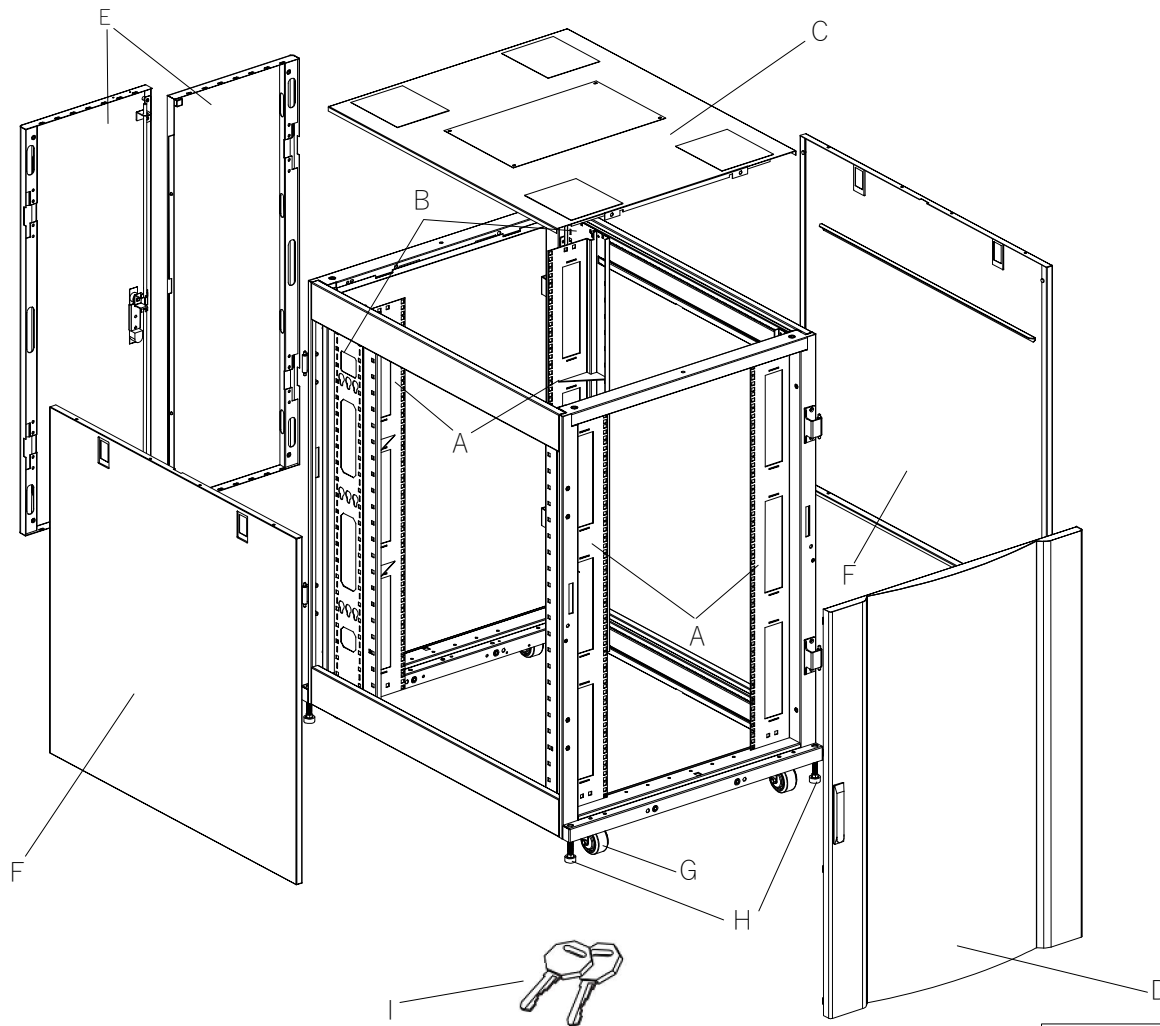


Option to add fan modules

Notes:
This drawing and specifications are the property of ENCONNEX and shall not be copied, reproduced or used in whole or in part, as the basis for the manufacture or sale of items without written permission from ENCONNEX. This drawing is the based upon latest available information and is subject to change without notice.




	TITLE: ROOF		ECX NO: ECX-ROOF-811-04	
	DRAWN BY: AMY ZHU		DATE: 2018-12-17	
APPROVED BY: SAM DING		REV DATE: 2018-12-17		
UNIT: mm & IN	SCALE: 1:1	PAGE: 4/5	REV: A	



- A Adjustable Mounting Rails
- B Adjustable PDU Mounting Rails
Rails with Toolless Mounting Slots
- C Roof Panel (Removable)
- D Front Door
(Lockable/Removable/Reversible)
- E Split Rear Doors
(Lockable/removable)
- F Side Panels
- G Heavy-Duty Casters
- H Heavy-Duty Levelers
- I Keys
(For doors and side panels)

Notes:

This drawing and specifications are the property of ENCONNEX and shall not be copied, reproduced or used in whole or in part, as the basis for the manufacture or sale of items without written permission from ENCONNEX. This drawing is based upon latest available information and is subject to change without notice.

	TITLE: SERVER RACK 800mm W X 1100mm D X 24U	ECX NO: ECX-81124-C3
	DRAWN BY: AMY ZHU	DATE: 2018-12-27
APPROVED BY: SAM DING	REV DATE: 2018-12-27	MATERIAL: -----
UNIT: mm & IN	SCALE: 1 : 1	PAGE: 5/5
ENCONNEX		REV: A