

LOCKING LATCHES

Single front mesh door

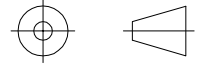

Split rear mesh doors

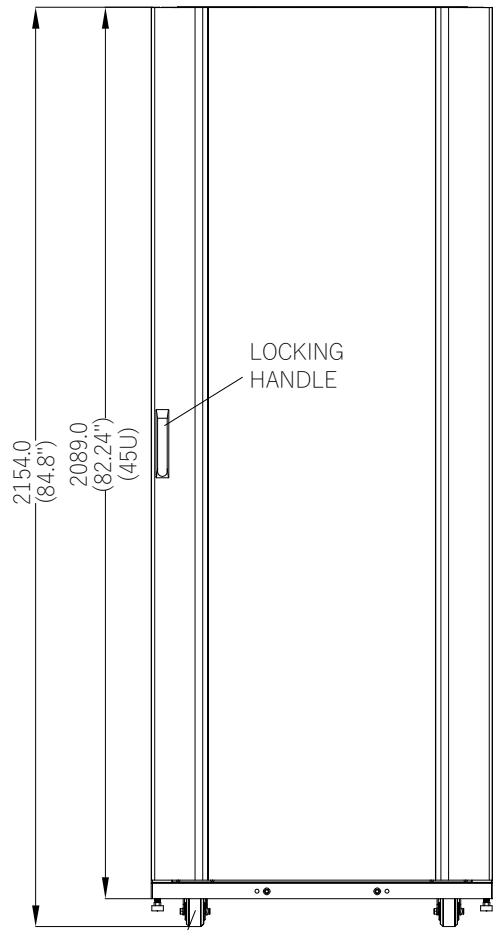
Front Door

Rear Doors

Keys
(for doors and side panels)

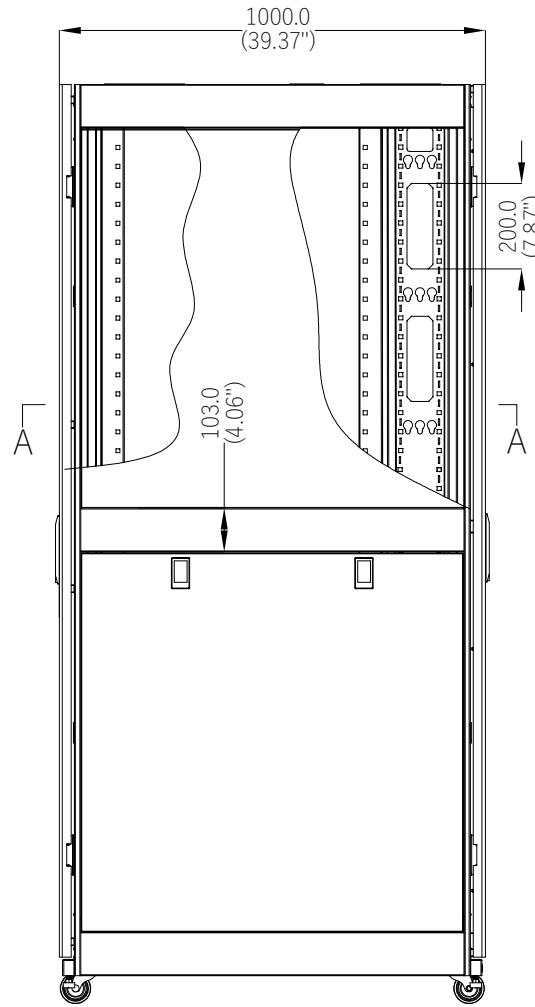
Notes:
This drawing and specifications are the property of ENCONNEX and shall not be copied, reproduced or used in whole or in part, as the basis for the manufacture or sale of items without written permission from ENCONNEX. This drawing is the based upon latest available information and is subject to change without notice.

	TITLE: SERVER RACK 800mm W X 1000mm D X 45U		ECX NO: ECX-81045-C3	
	DRAWN BY: AMY ZHU		DATE: 2018-12-27	
	APPROVED BY: SAM DING		REV DATE: 2018-12-27	
	UNIT: mm & IN	SCALE: 1:1	PAGE: 1/5	REV: A

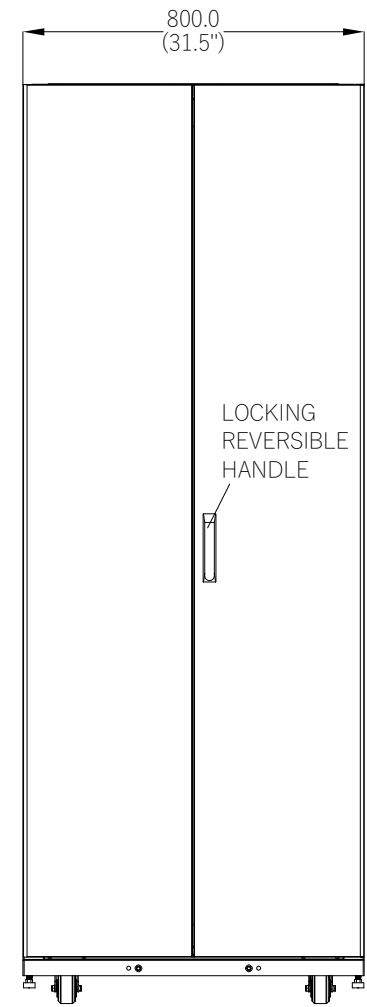


Front View

3" Heavy Duty Casters



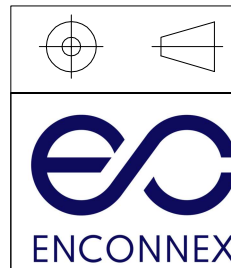
Side View



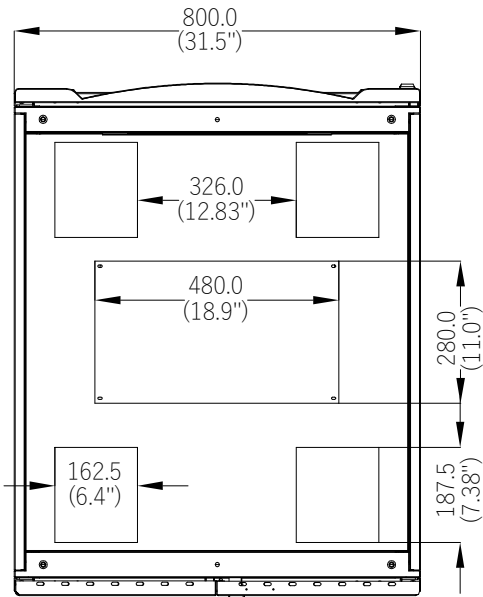
Rear View

Notes:

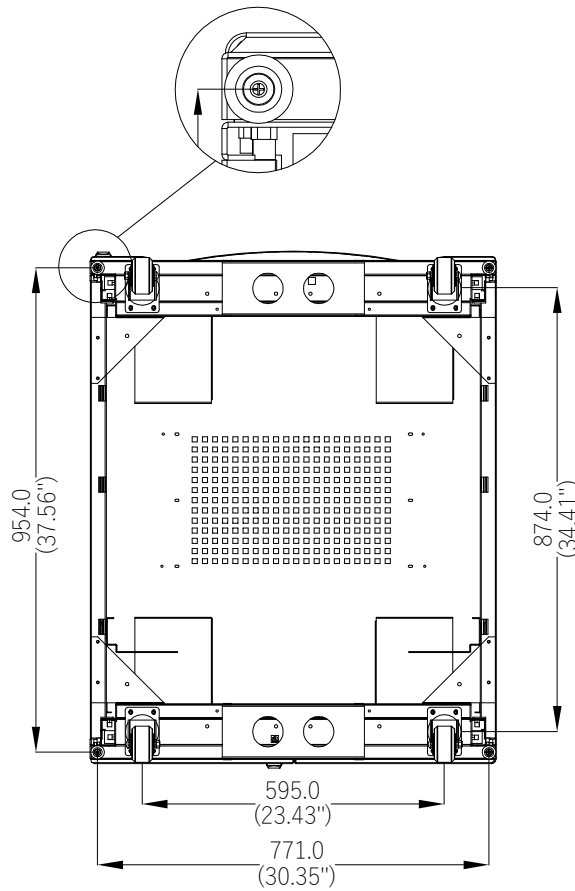
This drawing and specifications are the property of ENCONNEX and shall not be copied, reproduced or used in whole or in part, as the basis for the manufacture or sale of items without written permission from ENCONNEX. This drawing is based upon latest available information and is subject to change without notice.



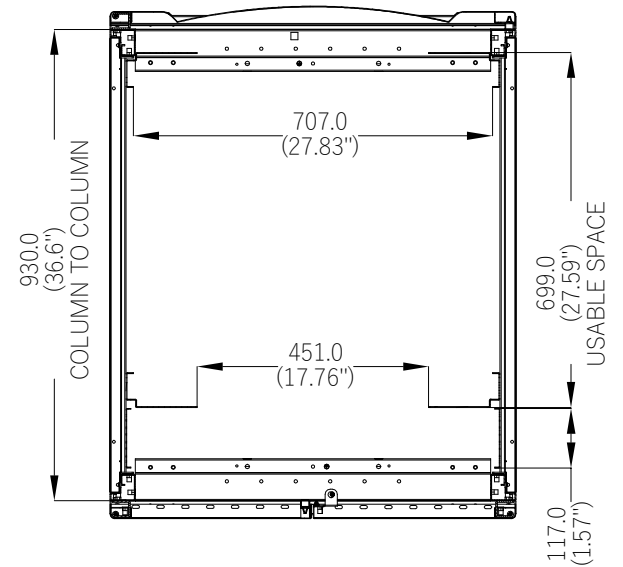
TITLE: SERVER RACK 800mm W X 1000mm D X 45U		ECX NO: ECX-81045-C3	
DRAWN BY: AMY ZHU		DATE: 2018-12-27	
APPROVED BY: SAM DING		REV DATE: 2018-12-27	
UNIT: mm & IN	SCALE: 1 : 1	PAGE: 2/5	REV: A



Top View




Bottom View

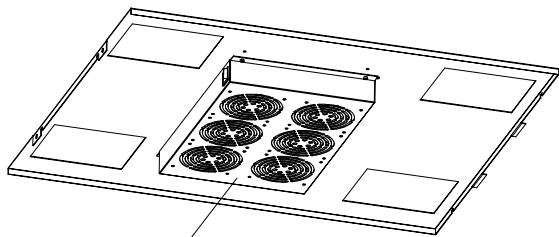
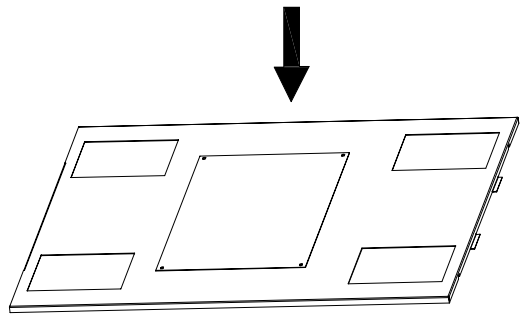
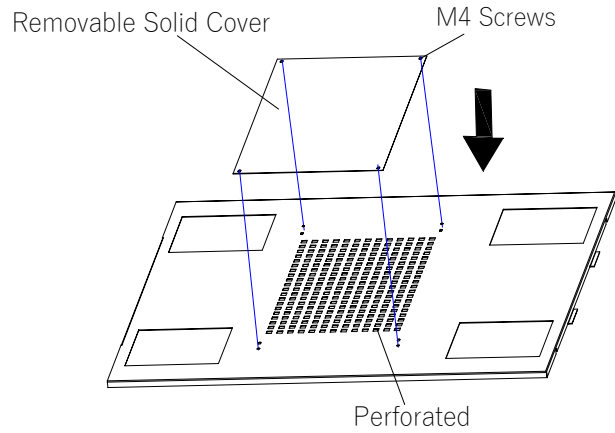


A-A
Profile view

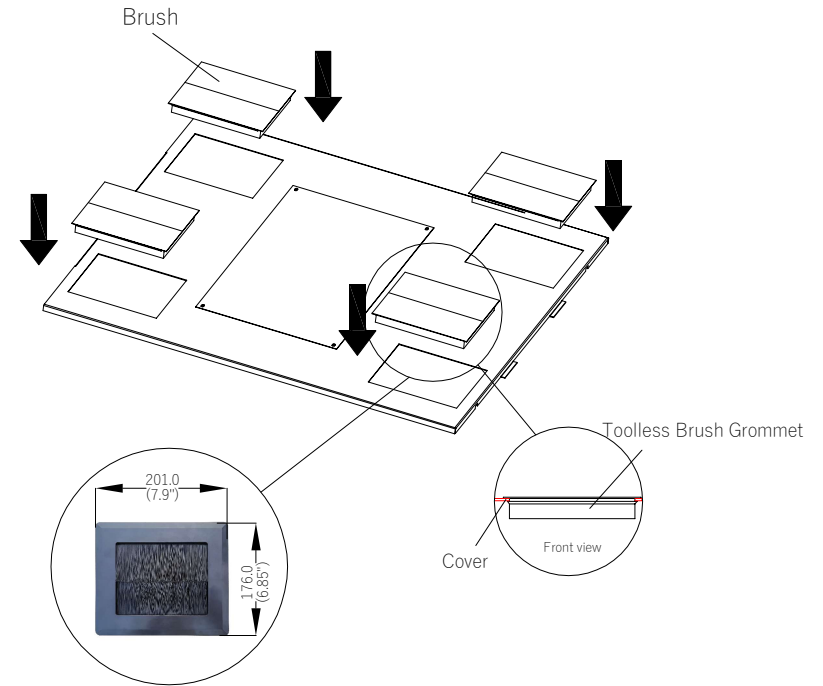
Notes:

This drawing and specifications are the property of ENCONNEX and shall not be copied, reproduced or used in whole or in part, as the basis for the manufacture or sale of items without written permission from ENCONNEX. This drawing is based upon latest available information and is subject to change without notice.

	TITLE: SERVER RACK 800mm W X 1000mm D X 45U	ECX NO: ECX-81045-C3
	DRAWN BY: AMY ZHU APPROVED BY: SAM DING	MATERIAL: ----- DATE: 2018-12-27 REV DATE: 2018-12-27
UNIT: mm & IN SCALE: 1 : 1	PAGE: 3/5	REV: A




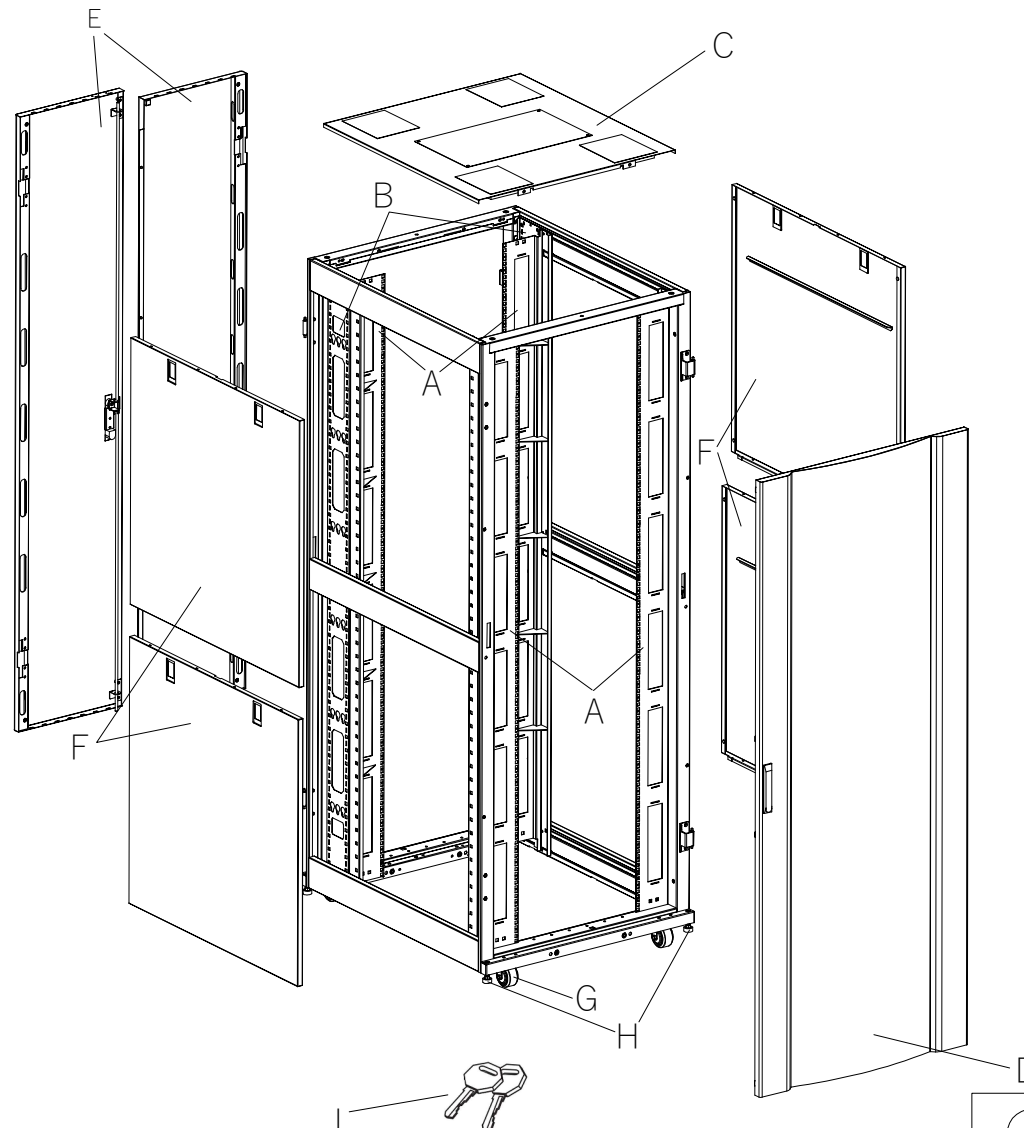
Option to add fan modules



Notes:

This drawing and specifications are the property of ENCONNEX and shall not be copied, reproduced or used in whole or in part, as the basis for the manufacture or sale of items without written permission from ENCONNEX. This drawing is based upon latest available information and is subject to change without notice.


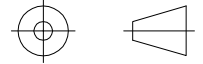
	TITLE: ROOF		ECX NO: ECX-ROOF-810-04	
	DRAWN BY: AMY ZHU		DATE: 2018-12-17	
APPROVED BY: SAM DING		REV DATE: 2018-12-17		
UNIT: mm & IN	SCALE: 1:1	PAGE: 4/5	REV: A	



- A** Adjustable Mounting Rails
- B** Adjustable PDU Mounting Rails
Rails with Toolless Mounting Slots
- C** Roof Panel (Removable)
- D** Front Door
(Lockable/Removable/Reversible)
- E** Split Rear Doors
(Lockable/removable)
- F** Side Panels
- G** Heavy-Duty Casters
- H** Heavy-Duty Levelers
- I** Keys
(For doors and side panels)

Notes:

This drawing and specifications are the property of ENCONNEX and shall not be copied, reproduced or used in whole or in part, as the basis for the manufacture or sale of items without written permission from ENCONNEX. This drawing is based upon latest available information and is subject to change without notice.

		TITLE: SERVER RACK 800mm W X 1000mm D X 45U	ECX NO: ECX-81045-C3
	DRAWN BY: AMY ZHU		DATE: 2018-12-27
APPROVED BY: SAM DING		REV DATE: 2018-12-27	
UNIT: mm & IN	SCALE: 1:1	PAGE: 5/5	REV: A