

LOCKING
LATCHES

Single front mesh door

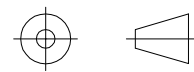
Split rear mesh doors

Front Door

Rear Doors

Keys
(for doors and side panels)

Notes:
This drawing and specifications are the property of ENCONNEX and shall be not copied, reproduced or used in whole or in part, as the basis for the manufacture or sale of items without written permission from ENCONNEX. This drawing is the based upon latest available information and is subject to change without notice.



TITLE:
SERVER RACK
600mm W X 1000mm D
X 42U

ECX NO:
ECX-61042-C3

DRAWN BY: AMY ZHU

MATERIAL: -----

APPROVED BY: SAM DING

DATE: 2018-12-27

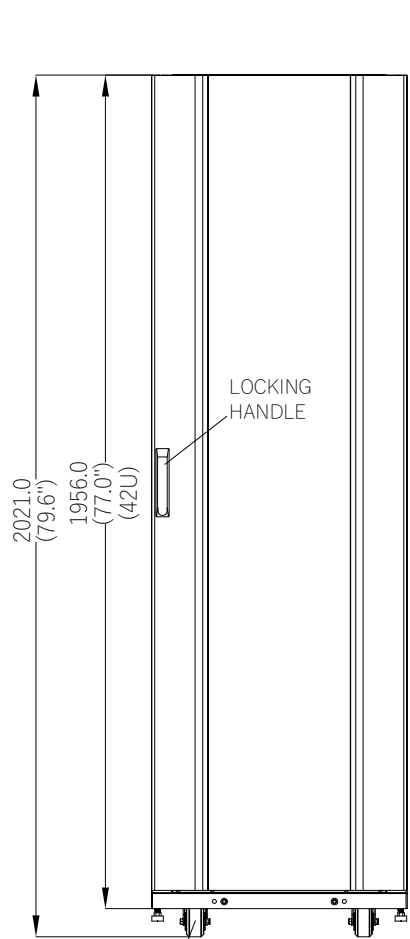
REV DATE: 2018-12-27

UNIT: mm & IN

SCALE: 1 : 1

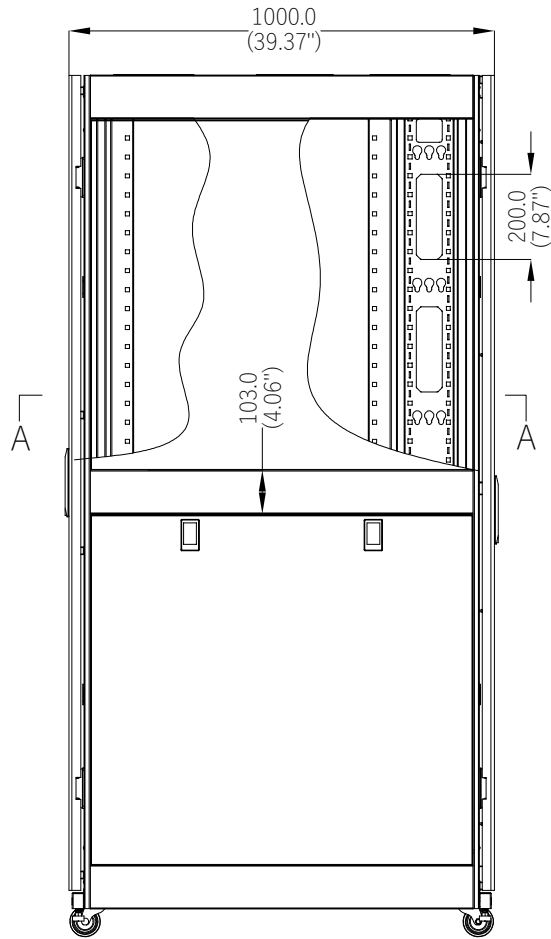
PAGE: 1/5

REV: A

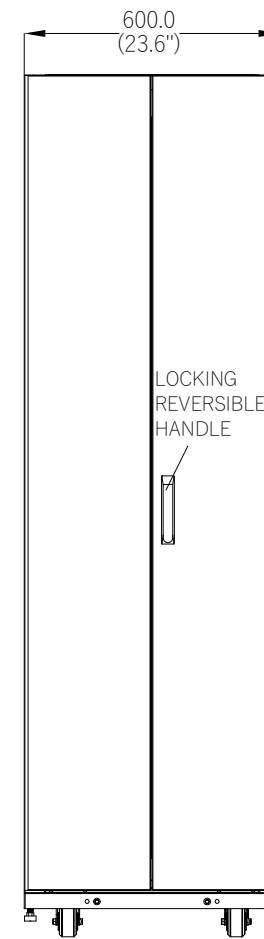


Front View

3" Heavy Duty Casters



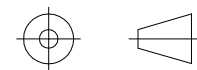
Side View



Rear View

Notes:

This drawing and specifications are the property of ENCONNEX and shall be not copied, reproduced or used in whole or in part, as the basis for the manufacture or sale of items without written permission from ENCONNEX. This drawing is the based upon latest available information and is subject to change without notice.



TITLE:
SERVER RACK
600mm W X 1000mm D
X 42U

ECX NO:
ECX-61042-C3

DRAWN BY: AMY ZHU

MATERIAL: -----

APPROVED BY: SAM DING

DATE: 2018-12-27

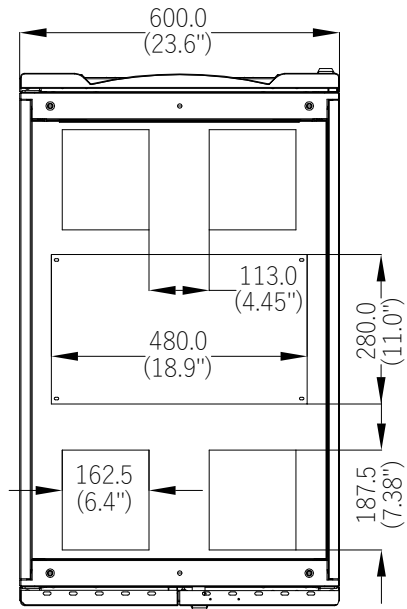
REV DATE: 2018-12-27

UNIT: mm & IN

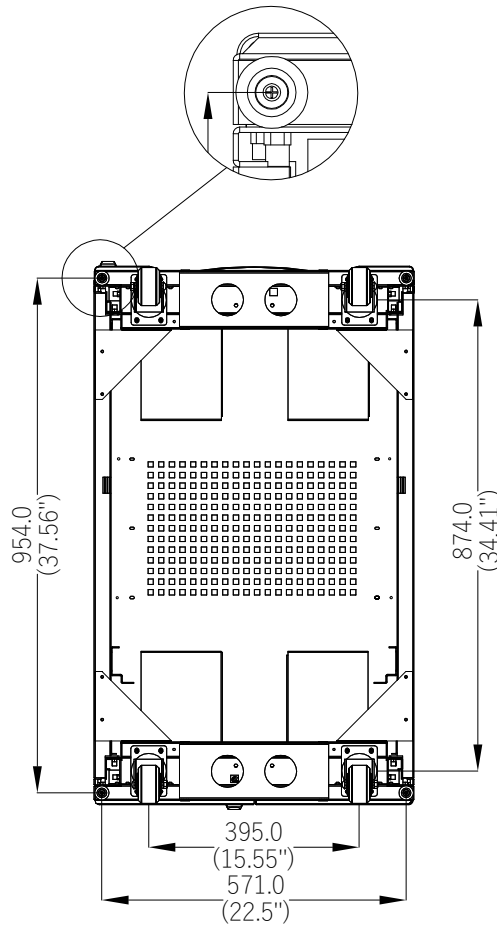
SCALE: 1:1

PAGE: 2/5

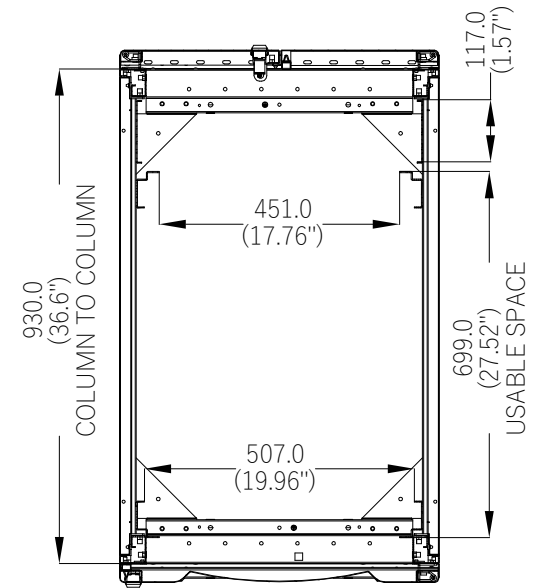
REV: A



Top View



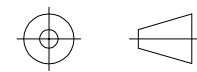
Bottom View



A-A
Profile View

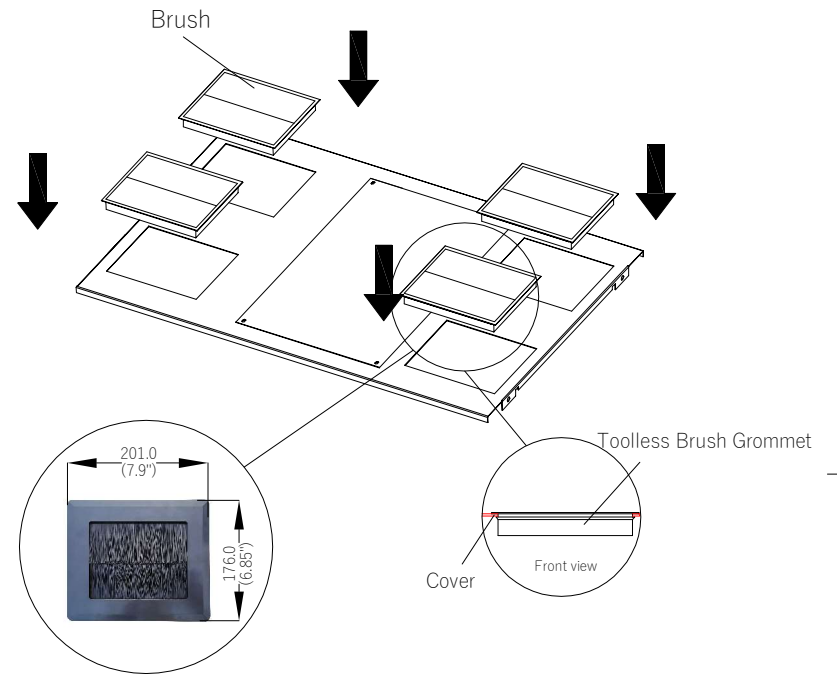
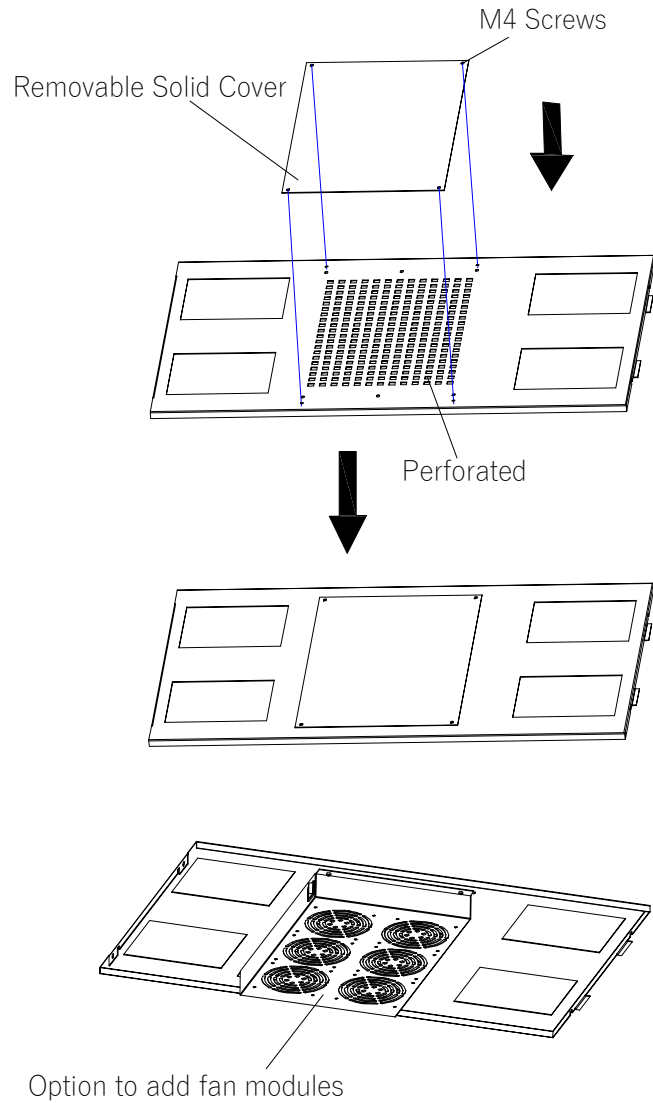
Notes:

This drawing and specifications are the property of ENCONNEX and shall be not copied, reproduced or used in whole or in part, as the basis for the manufacture or sale of items without written permission from ENCONNEX. This drawing is the based upon latest available information and is subject to change without notice.




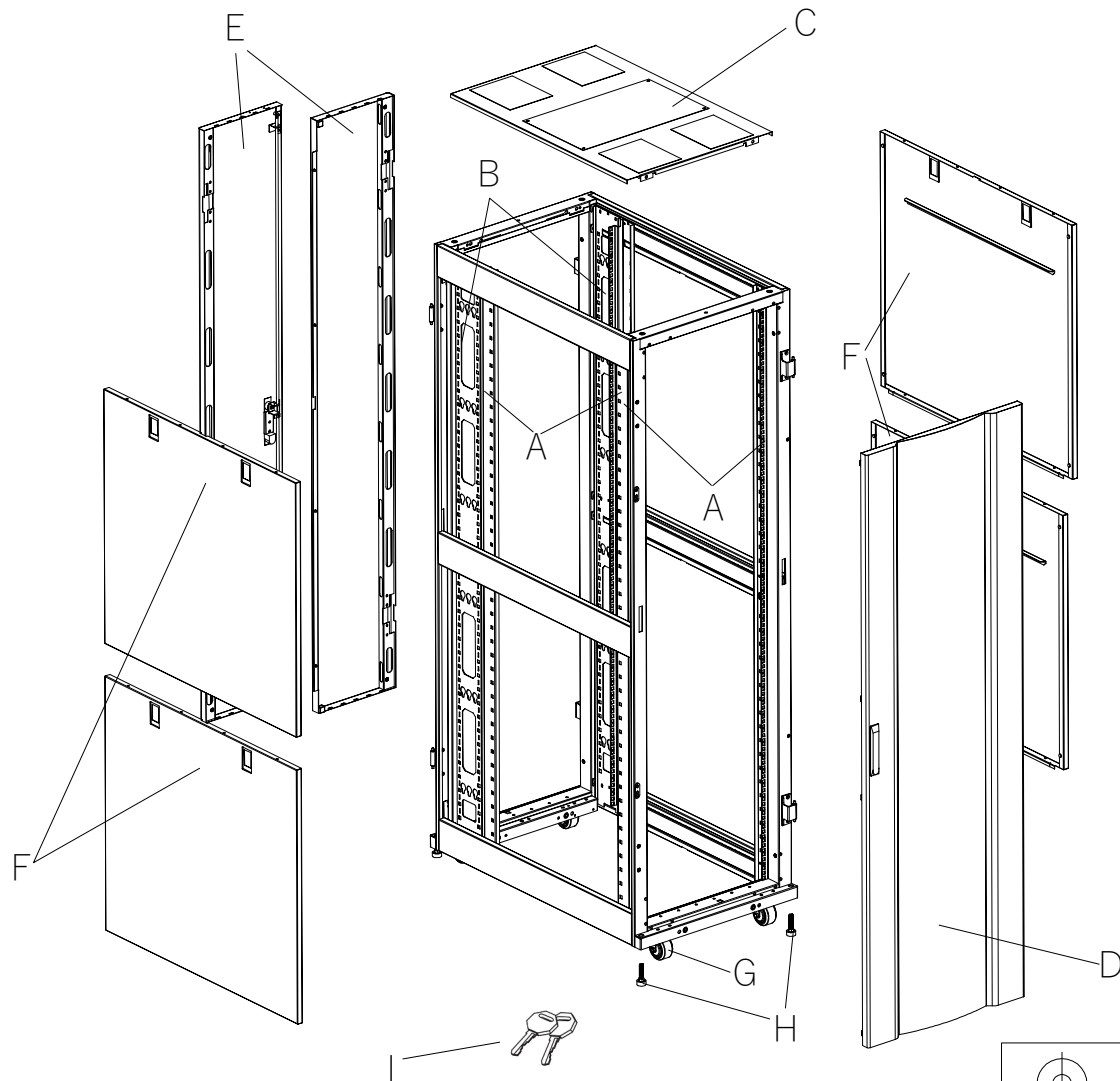
TITLE: SERVER RACK 600mm W X 1000mm D X 42U		ECX NO: ECX-61042-C3	
DRAWN BY: AMY ZHU		DATE: 2018-12-27	
APPROVED BY: SAM DING		REV DATE: 2018-12-27	
UNIT: mm & IN	SCALE: 1 : 1	PAGE: 3/5	REV: A

MATERIAL: -----



Notes:
 This drawing and specifications are the property of ENCONNEX and shall be not copied, reproduced or used in whole or in part, as the basis for the manufacture or sale of items without written permission from ENCONNEX. This drawing is the based upon latest available information and is subject to change without notice.


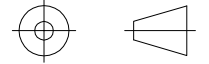
	TITLE:	ECX NO:
	ROOF	ECX-ROOF-610-04
DRAWN BY:	AMY ZHU	DATE: 2018-12-17
APPROVED BY:	SAM DING	REV DATE: 2018-12-17
UNIT: mm & IN	SCALE: 1:1	PAGE: 4/5
		REV: A



- A** Adjustable Mounting Rails
- B** Adjustable PDU Mounting Rails
Rails with Toolless Mounting Slots
- C** Roof Panel (Removable)
- D** Front Door
(Lockable/Removable/Reversible)
- E** Split Rear Doors
(Lockable/removable)
- F** Side Panels
- G** Heavy-Duty Casters
- H** Heavy-Duty Levelers
- I** Keys
(For doors and side panels)

Notes:

This drawing and specifications are the property of ENCONNEX and shall be not copied, reproduced or used in whole or in part, as the basis for the manufacture or sale of items without written permission from ENCONNEX. This drawing is the based upon latest available information and is subject to change without notice.

		TITLE: SERVER RACK 600mm W X 1000mm D X 42U	ECX NO: ECX-61042-C3
	DRAWN BY: AMY ZHU	DATE: 2018-12-27	MATERIAL: -----
APPROVED BY: SAM DING	REV DATE: 2018-12-27		
UNIT: mm & IN	SCALE: 1 : 1	PAGE: 5/5	REV: A