

LOCKING LATCHES

Single front mesh door


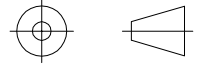
Split rear mesh doors

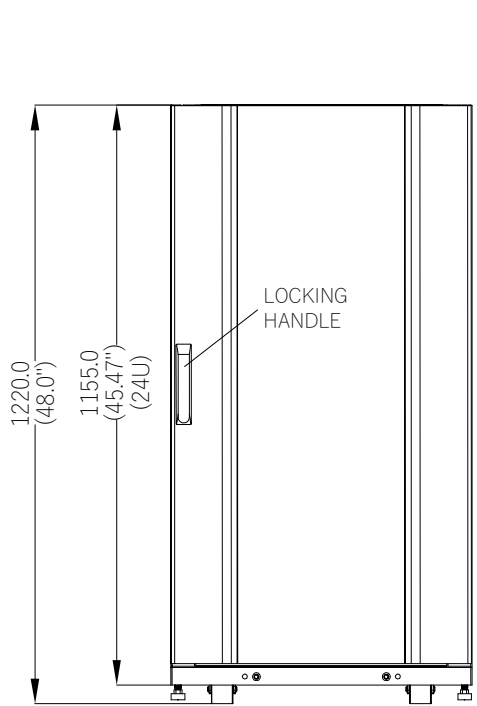
Front Door

Rear Doors

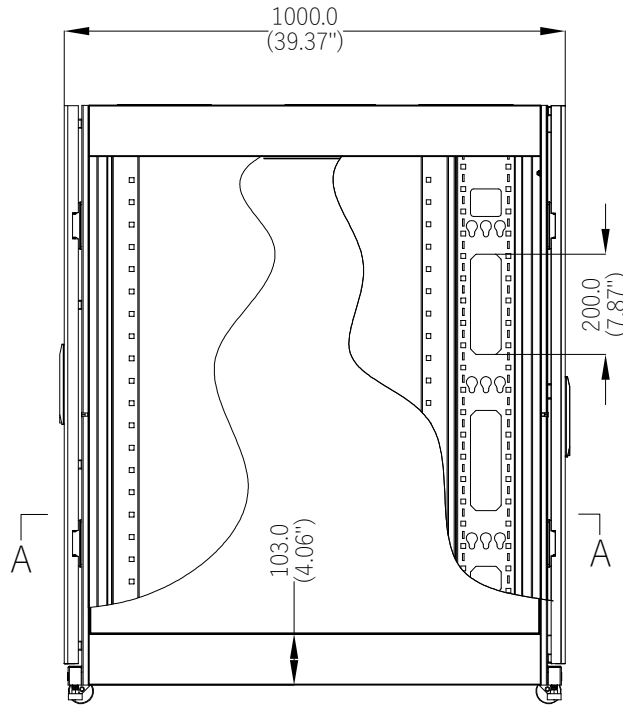
Keys
(for doors and side panels)

Notes:
This drawing and specifications are the property of ENCONNEX and shall be not copied, reproduced or used in whole or in part, as the basis for the manufacture or sale of items without written permission from ENCONNEX. This drawing is the based upon latest available information and is subject to change without notice.

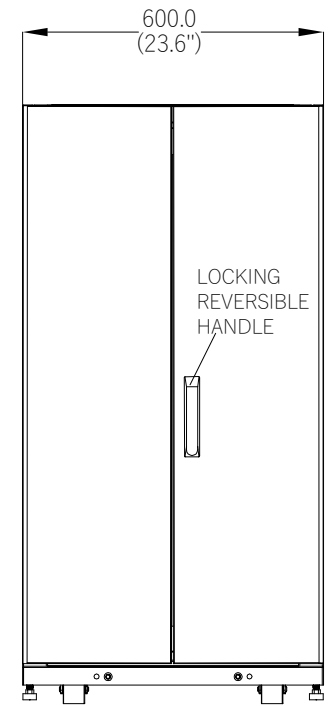
		TITLE: SERVER RACK 600mm W X 1000mm D X 24U	ECX NO: ECX-61024-C3
	DRAWN BY: AMY ZHU		DATE: 2018-12-27
APPROVED BY: SAM DING		REV DATE: 2018-12-27	
UNIT: mm & IN	SCALE: 1:1	PAGE: 1/5	REV: A



Front View



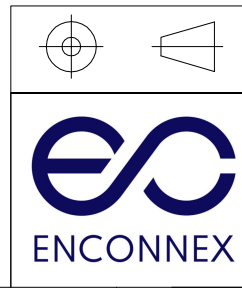
Side View



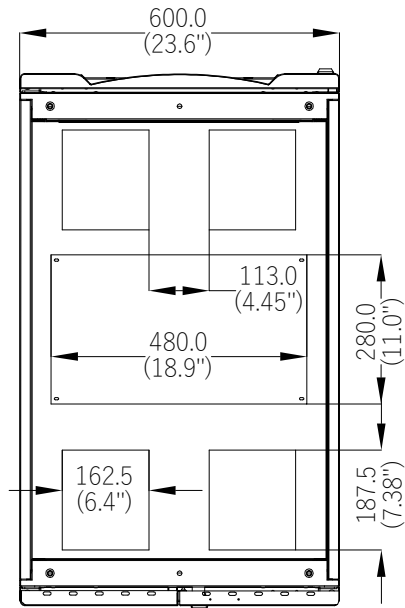
Rear View

Notes:

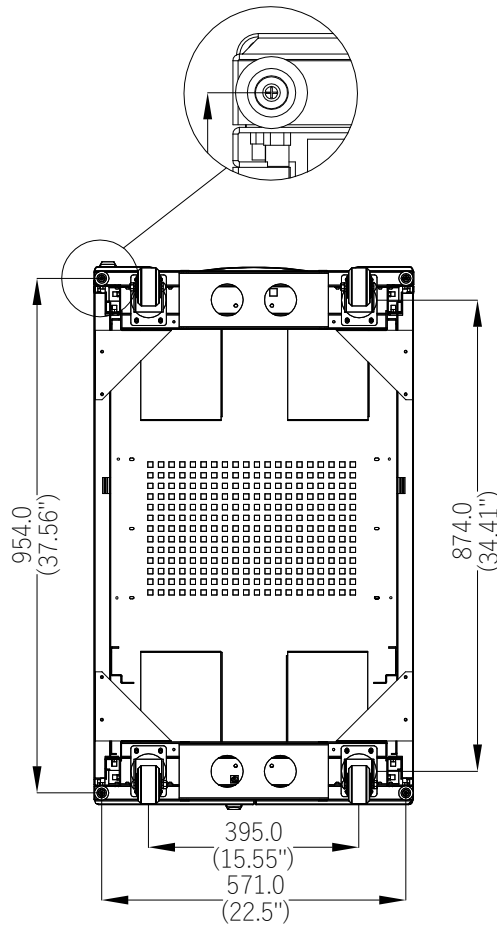
This drawing and specifications are the property of ENCONNEX and shall be not copied, reproduced or used in whole or in part, as the basis for the manufacture or sale of items without written permission from ENCONNEX. This drawing is the based upon latest available information and is subject to change without notice.



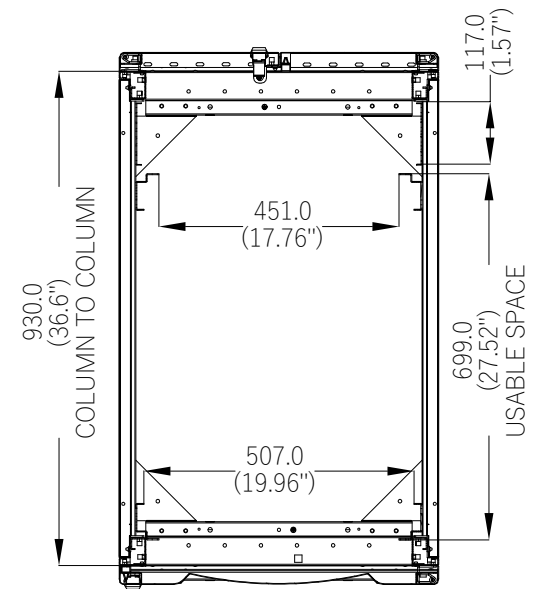
TITLE: SERVER RACK 600mm W X 1000mm D X 24U		ECX NO: ECX-61024-C3	
DRAWN BY: AMY ZHU		DATE: 2018-12-27	
APPROVED BY: SAM DING		REV DATE: 2018-12-27	
UNIT: mm & IN	SCALE: 1:1	PAGE: 2/5	REV: A



Top View



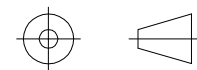
Bottom View



A-A
Profile View

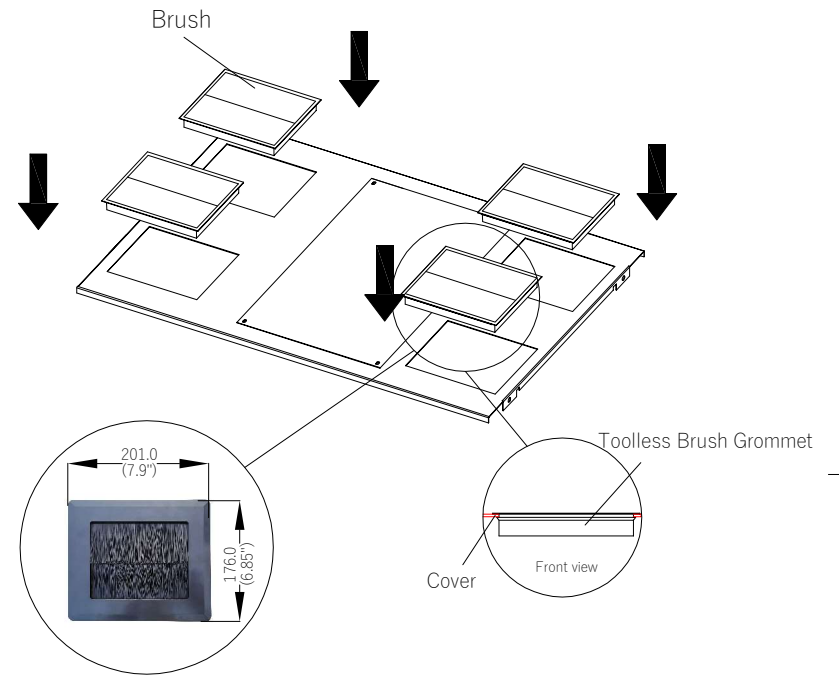
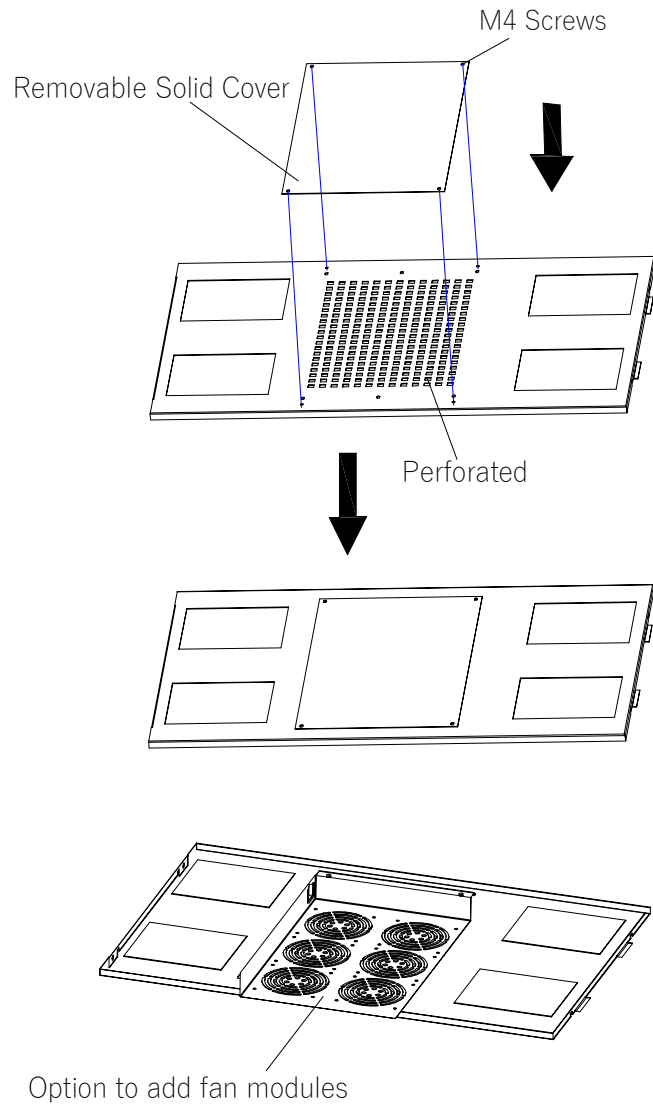
Notes:

This drawing and specifications are the property of ENCONNEX and shall be not copied, reproduced or used in whole or in part, as the basis for the manufacture or sale of items without written permission from ENCONNEX. This drawing is the based upon latest available information and is subject to change without notice.




TITLE: SERVER RACK 600mm W X 1000mm D X 24U		ECX NO: ECX-61024-C3	
DRAWN BY: AMY ZHU		DATE: 2018-12-27	
APPROVED BY: SAM DING		REV DATE: 2018-12-27	
UNIT: mm & IN	SCALE: 1:1	PAGE: 3/5	REV: A

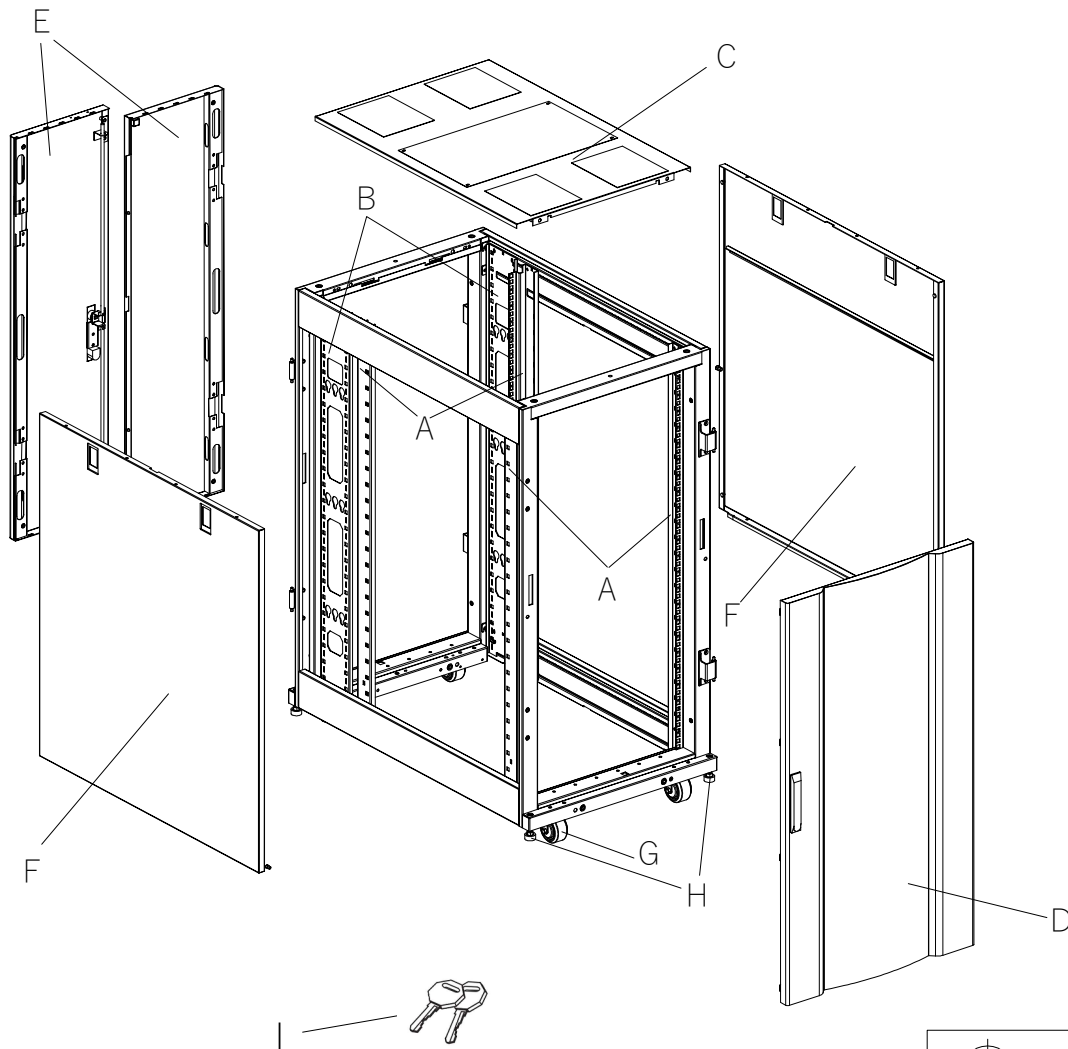
MATERIAL: -----



Notes:

This drawing and specifications are the property of ENCONNEX and shall be not copied, reproduced or used in whole or in part, as the basis for the manufacture or sale of items without written permission from ENCONNEX. This drawing is the based upon latest available information and is subject to change without notice.


	TITLE:	ECX NO:
	ROOF	ECX-ROOF-610-04
DRAWN BY:	AMY ZHU	DATE:
APPROVED BY:	SAM DING	REV DATE:
UNIT: mm & IN	SCALE: 1:1	PAGE: 4/5
		REV: A



- A Adjustable Mounting Rails
- B Adjustable PDU Mounting Rails
Rails with Toolless Mounting Slots
- C Roof Panel (Removable)
- D Front Door
(Lockable/Removable/Reversible)
- E Split Rear Doors
(Lockable/removable)
- F Side Panels
- G Heavy-Duty Casters
- H Heavy-Duty Levelers
- I Keys
(For doors and side panels)

Notes:

This drawing and specifications are the property of ENCONNEX and shall be not copied, reproduced or used in whole or in part, as the basis for the manufacture or sale of items without written permission from ENCONNEX. This drawing is the based upon latest available information and is subject to change without notice.

	TITLE: SERVER RACK 600mm W X 1000mm D X 24U	ECX NO: ECX-61024-C3
	DRAWN BY: AMY ZHU	DATE: 2018-12-27
APPROVED BY: SAM DING	REV DATE: 2018-12-27	MATERIAL: -----
UNIT: mm & IN	SCALE: 1 : 1	PAGE: 5/5
ENCONNEX		REV: A