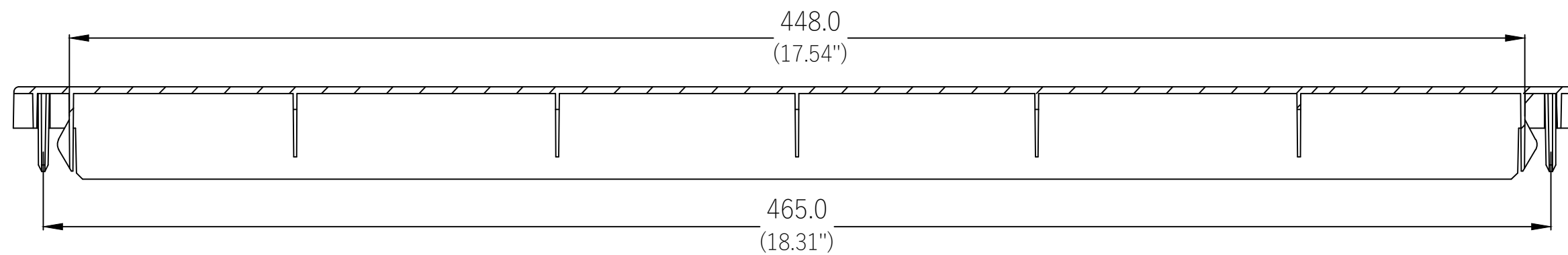
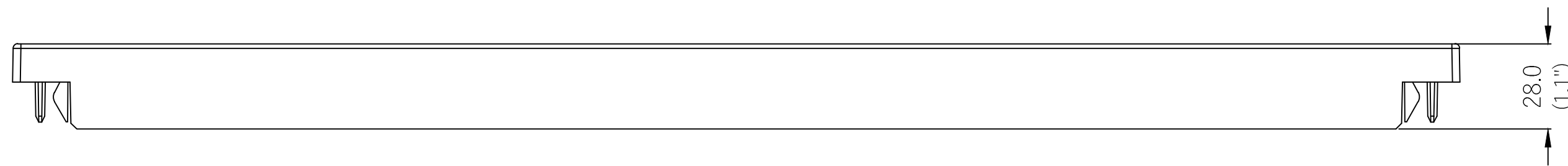
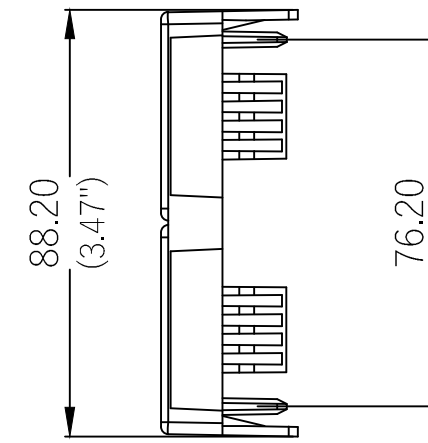
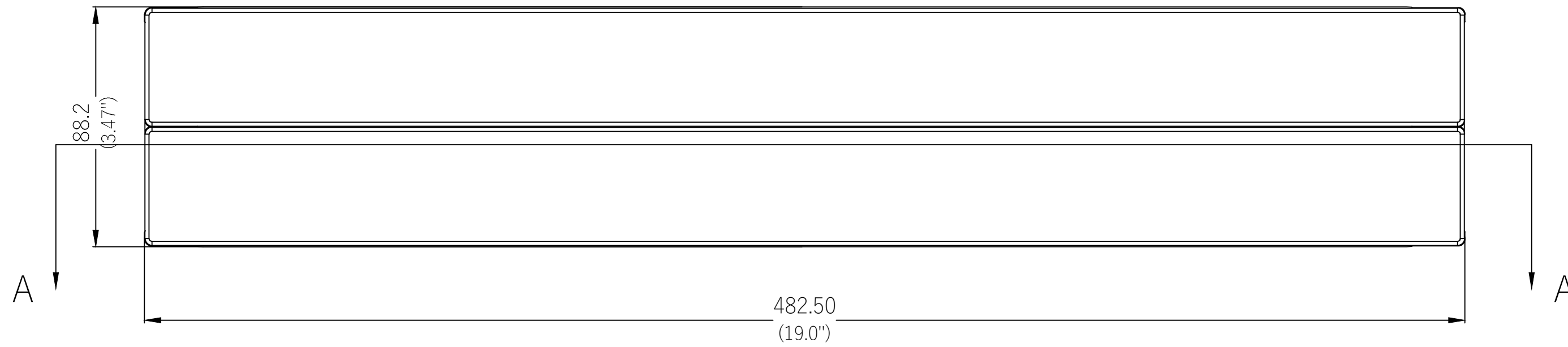
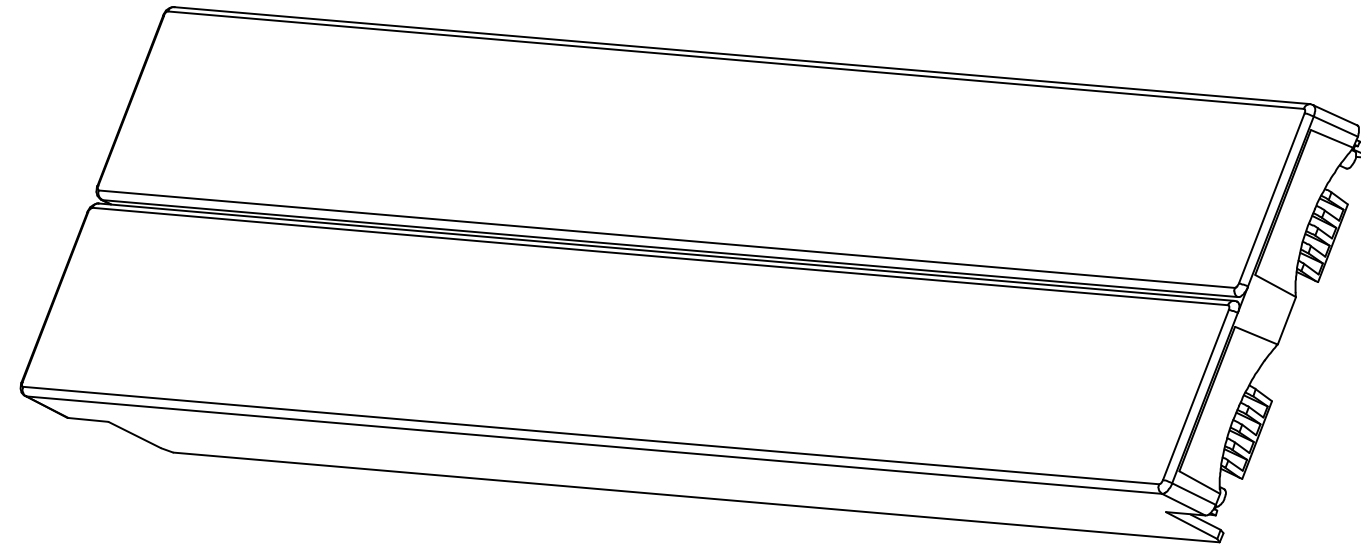
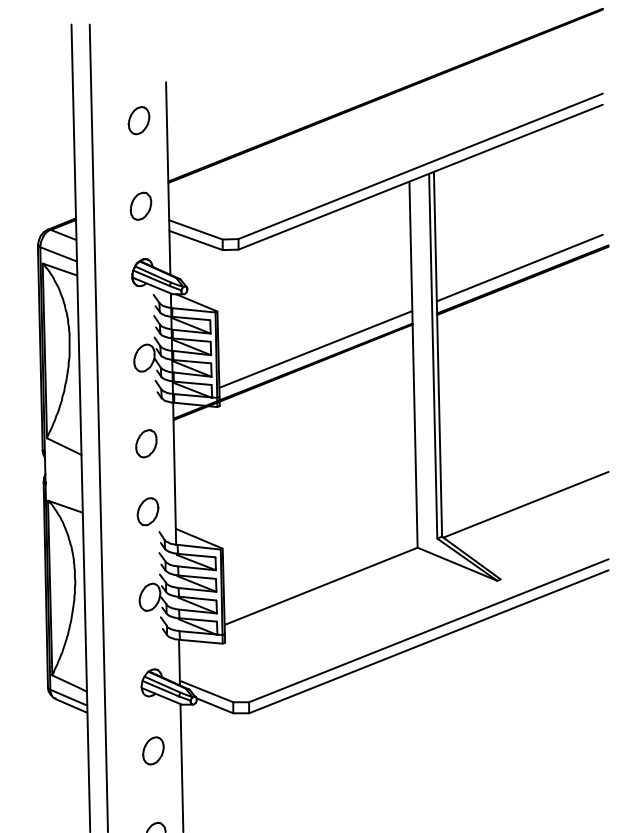


REV	REV DATE	DESCRIPTION	APPROVAL
A	2019-03-08	RELEASE	SDRF


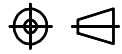
Notes/Instructions:



A-A



Notes:
 This drawing and its specifications are the property of ENCONNEX and shall not be copied, reproduced, or used in whole or in part, as the basis for the manufacture or sale of items without written permission from ENCONNEX. This drawing is based upon the latest available information and is subject to change without notice.

TOLERANCES LINEAR (mm) X = ± 1 XX = ± 0.5 XXX = ± 0.30 XXXX = ± 0.130 ANGULAR X = 1° XX = 0.5° XXX = 0.25°	MATERIAL: Plastic	 ENCONNEX 4670 AIRCENTER CIRCLE, RENO, NV 89502	PART NUMBER: ECX-2UBLANPAN
	FINISH:		DESCRIPTION: Enconnex 2u Toolless Snap in Blanking Panel
 DEBUR AND BREAK SHARP EDGES/CORNERS AT 0.2mm MAX INTERPRET TO ASME Y14.100	DRAWN BY: SAM DING APPROVED BY: R. FAULKNER	ORG DATE: 2019-03-08 REV DATE: 2019-03-08	SHEET: 1/1 REV: A
UNITS: mm [in]	SIZE: A2	SCALE: 1 : 1	