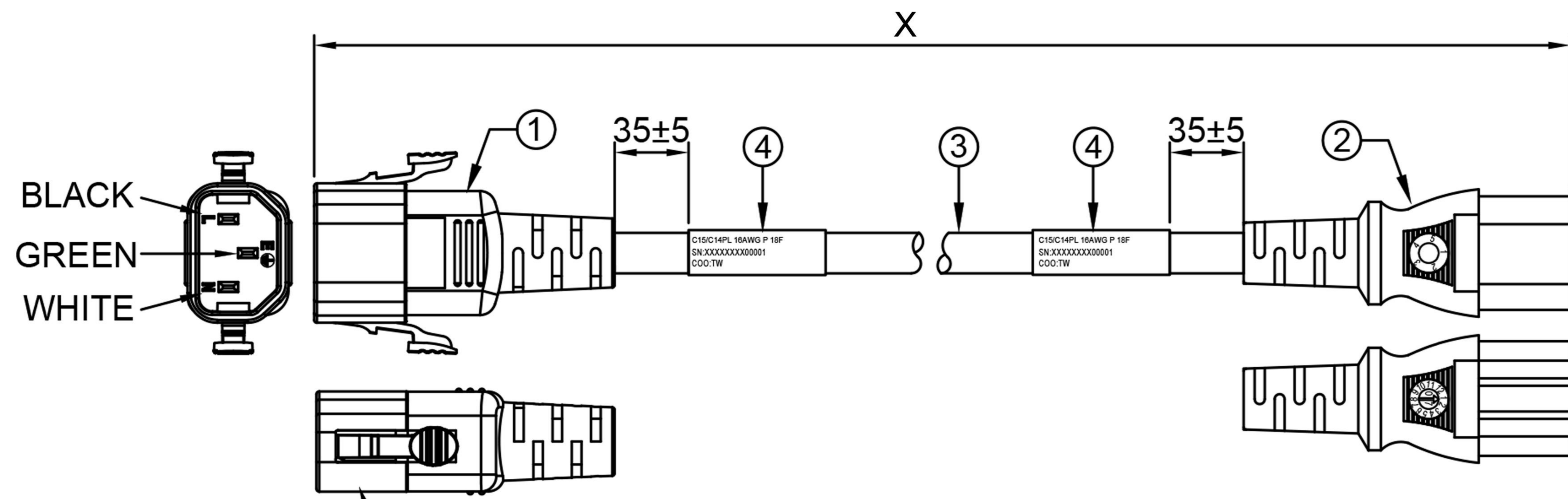
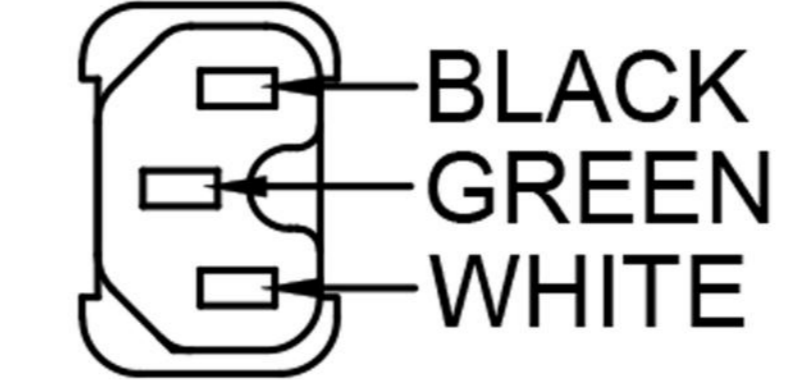


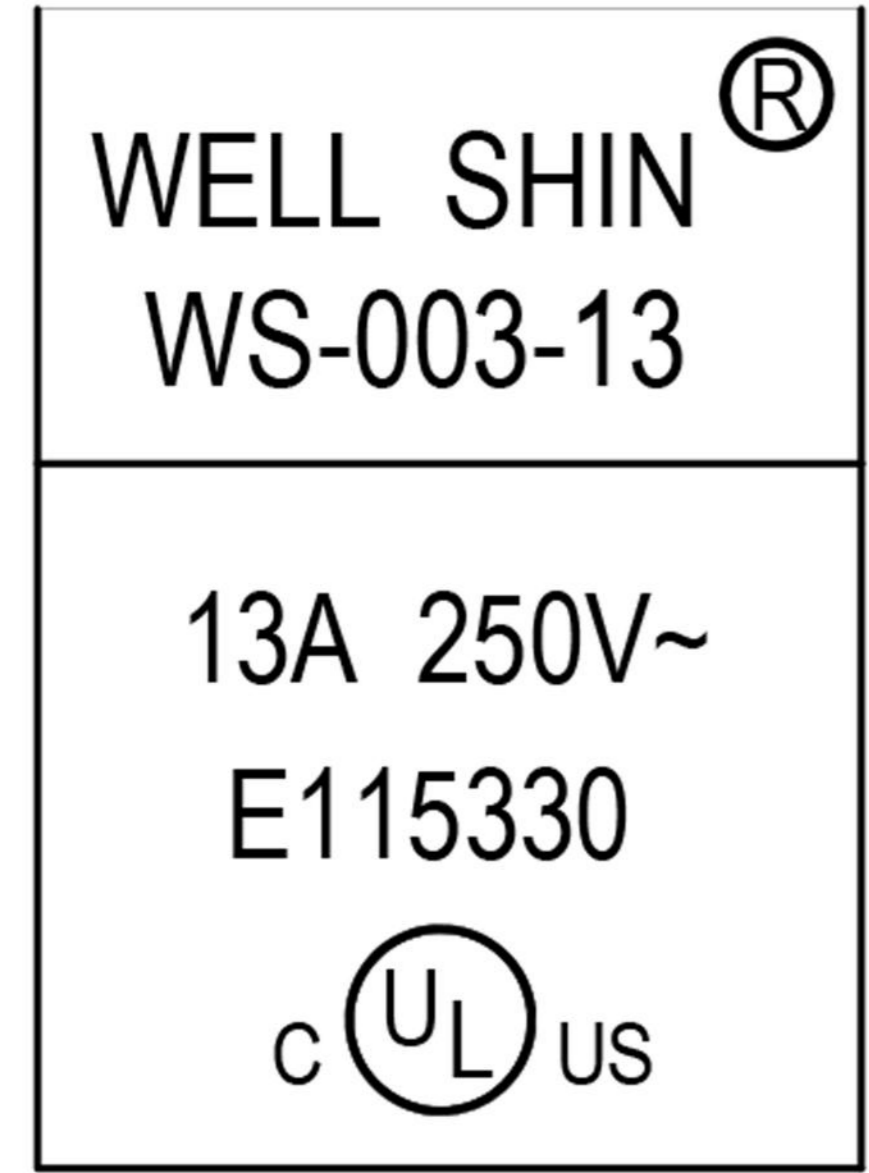
THIS DRAWING AND SPECIFICATIONS HEREIN ARE THE PROPERTY OF ENCONNEX LLC. AND SHALL NOT BE COPIED, REPRODUCED OR USED IN WHOLE OR IN PART, AS THE BASIS FOR THE MANUFACTURE OR SALE OF ITEMS WITHOUT THE WRITTEN PERMISSION OF ENCONNEX LLC. THIS DRAWING IS SUBJECT TO CHANGE WITHOUT NOTICE.



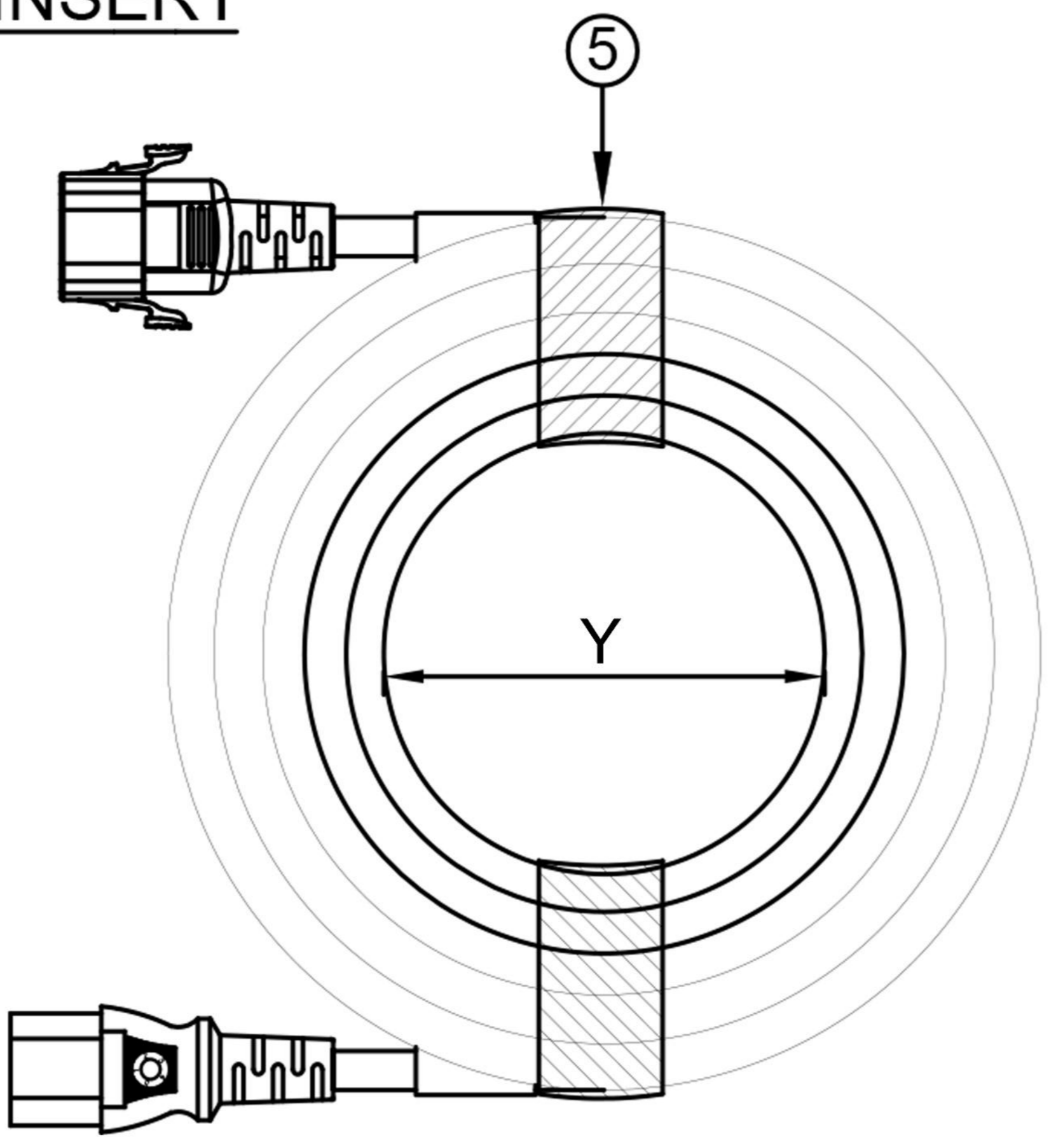
- Labels on the cables to withstand 80C
- Logo on Cartoon box (ENCONNEX)
Color : Pantone 2755C



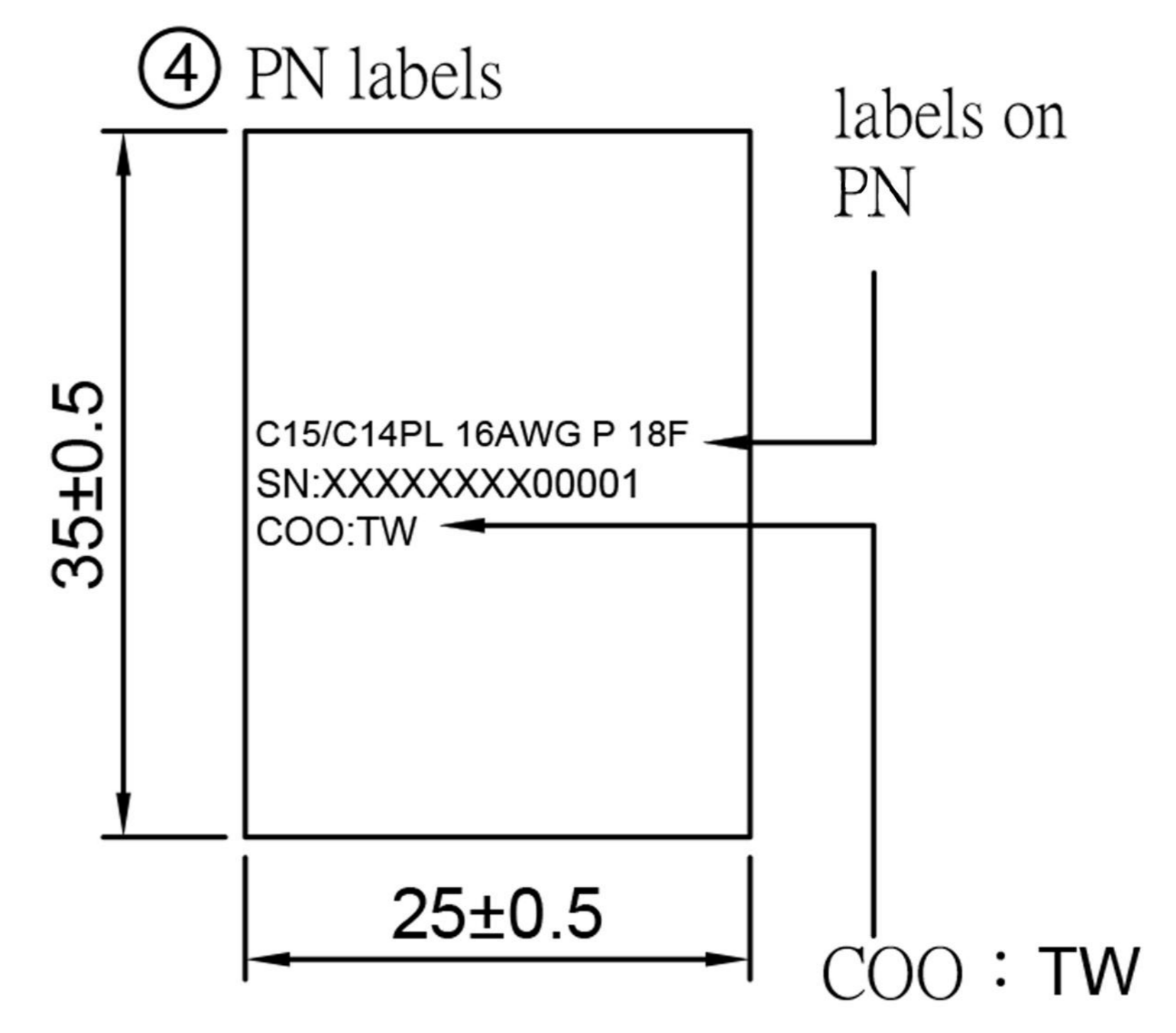
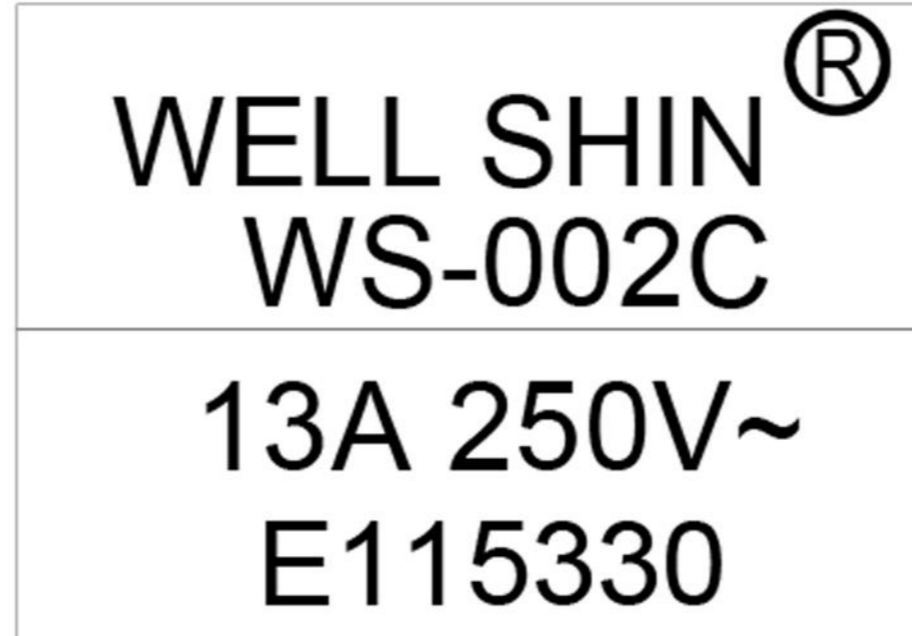
MARKING:



COLOR-3034 INSERT



MARKING:



ITEM	DESCRIPTION	COLOR	QTY
①	WS-003-13 13(A) 250(V) APPROVAL: UL,CUL	(RD-3034)	1
②	WS-002C 13(A) 250(V) APPROVAL: UL,CUL	PANTONE 032C	1
③	SJT 16AWG 3C 105°C APPROVAL: UL,CSA	(RED)	1
④	LABEL	---	2
⑤	PE FILM	CLEAR	2

UNLESS NOTED, DIMENSIONS IN MILLIMETERS & TOLERANCES ARE:

PRODUCT LINE: POWER CORD
PART NUMBER: ECX-C15C14PL-16AWG-[Color]-XFT
DESCRIPTION:

4670 AIRCENTER CIRCLE, RENO, NV89502

DRAWING FILE NAME: ECX-C15C14PL-16AWG-[Color]-XFT
3D MODEL FILE NAME: ECX-C15C14PL-16AWG-[Color]-XFT
3D MODEL CONFIGURATION: Default

ENGINEER: ORG DATE:2021.12.14
DRAWN: AMY ZHU REV DATE:2021.12.14
ITEM WEIGHT (REFERENCE ONLY) REV: A

UNITS:MM[IN] INTERPRET TO ASME Y14.100 SIZE: B SCALE:N/A DO NOT SCALE DRAWING SHEET: 1/1

F
E
D
C
B
A

F
E
D
C
B
A

8 7 6 5 4 3 2 1