

SFP (1G) Transceiver

SKU#: ECX-SFP01XX-XX-XX

The Enconnex Transceivers are fully tested for compatibility and are designed to be MSA (Multi Source Agreement) compliant. These SFP Transceivers support data rates of up to 1.25G with an enhanced fiber connection.

PRODUCT FEATURES

- Enhanced fiber connectivity
- Supports data rates of up to 1.25G
- MSA Compliant
- Tested for Compatibility

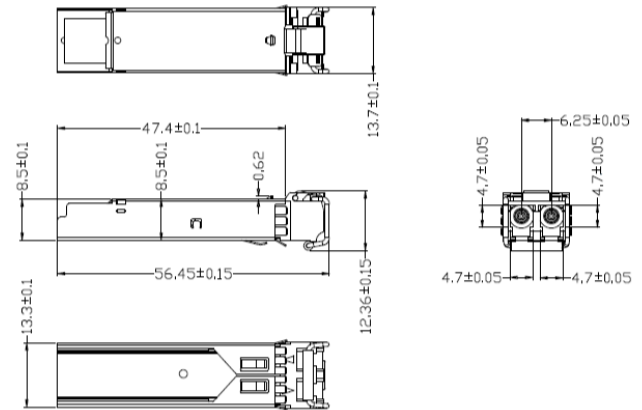


Figure 1 - SFP (1G) Transceiver

PHYSICAL SPECIFICATIONS

PHYSICAL	SPECS
Form Type	SFP
Wavelength	850 to 1000nm
Transmission Distance	100m to 20km
Cable Type	MMF
Interface	LC Duplex
Max Data Rate	1.25Gbps

SPECIFICATIONS

SKU	Description
ECX-SFP01RJ-SR-XX	Enconnex, 1GBase-T SFP 100m Copper RJ45 transceiver Cat5, [Manufacturer] Compatible
ECX-SFP01-SR-XX	Enconnex, SFP (1.25G) 850nm multimode transceivers 550m, [Manufacturer] Compatible
ECX-SFP01-LR-XX	Enconnex, SFP (1.25G) 1310nm single mode transceivers 20km, [Manufacturer] Compatible