

# MTP-MTP 12F Multimode Hardshell Loopback OM4 Fiber Optic Cable

SKU#: ECX-MTMT1-412-LBHS

The Enconnex MTP-MTP Multimode Hardshell Loopback cables are manufactured and tested to the highest quality standards. This cable is an OM4 “Aqua” laser-optimized, multimode cable with a 50 μm core and 125 μm cladding diameter. All Enconnex fiber cables include a test report and are assigned a unique serial number for traceability.

## PHYSICAL SPECIFICATIONS

PHYSICAL	SPECS
Fiber Mode	Multimode
Fiber Counts	2 Fibers (Duplex)
Connector Type	MTP-MTP Loopback
Insertion Loss	≤ 1.20dB
Return Loss	≥ 20dB
Operating Temperature	-20°C - 70°C

## PRODUCT FEATURES

- 100% fully tested
- Low insertion and return loss
- Unique serial number label on each end
- Color options available

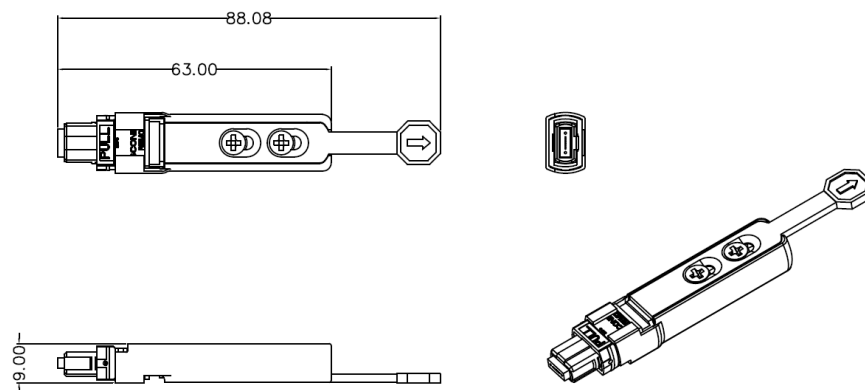


Figure 1 - MTP-MTP 12F Multimode Hardshell Loopback OM4 Fiber Optic Cable