

MTP-MTP 12F Multimode Loopback OM3 Fiber Optic Cable

SKU#: ECX-MTMT1-312P-LB

The Enconnex MTP-MTP Multimode Loopback cables are manufactured and tested to the highest quality standards. This cable is an OM3 “Aqua” laser-optimized, multimode cable with a 50 μm core and 125 μm cladding diameter. All Enconnex fiber cables include a test report and are assigned a unique serial number for traceability.

PHYSICAL SPECIFICATIONS

PHYSICAL	SPECS
Fiber Mode	Multimode
Fiber Counts	2 Fibers (Duplex)
Connector Type	MTP-MTP Loopback
Insertion Loss	≤ 0.75dB
Return Loss	≥ 20dB
Operating Temperature	-20°C - 70°C

PRODUCT FEATURES

- 100% fully tested
- Low insertion and return loss
- Unique serial number label on each end
- Color options available

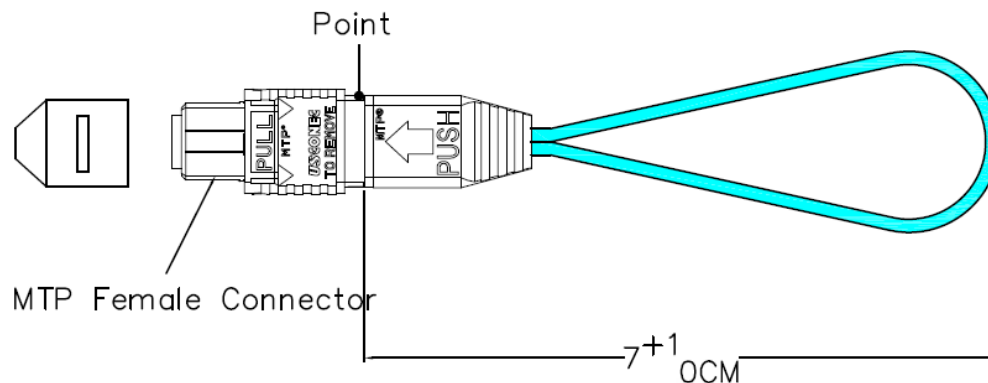


Figure 1 - MTP-MTP 12F Loopback Multimode OM3 Fiber Optic Cable