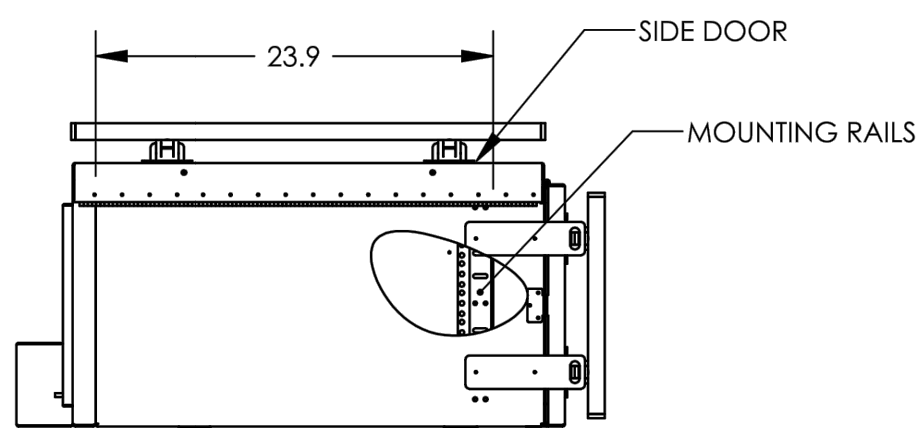
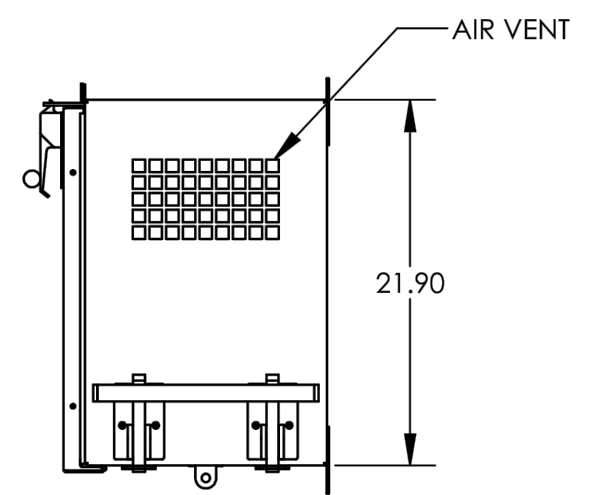
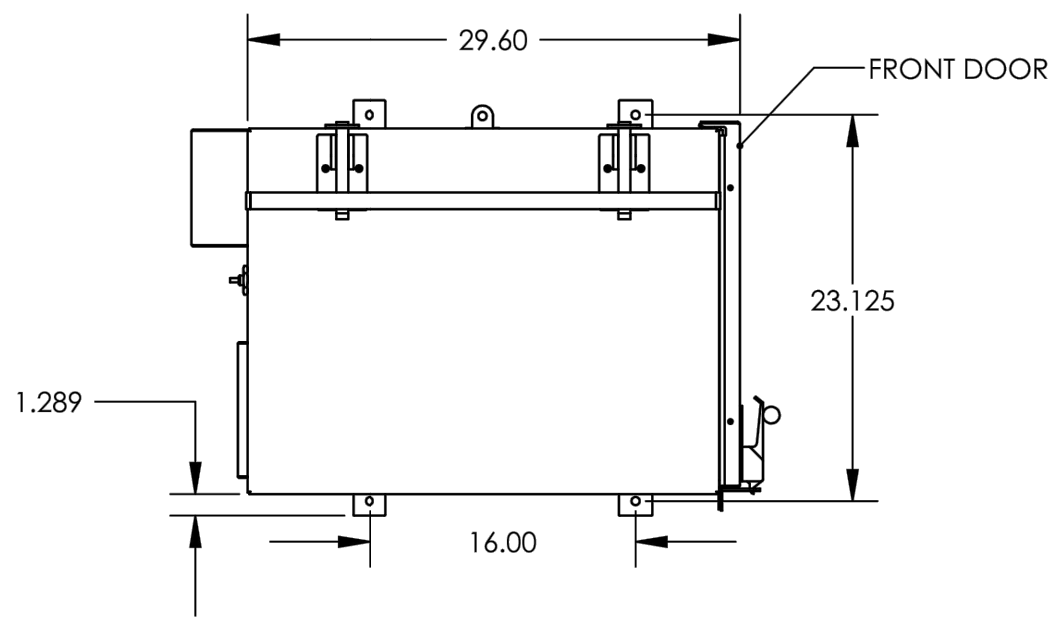
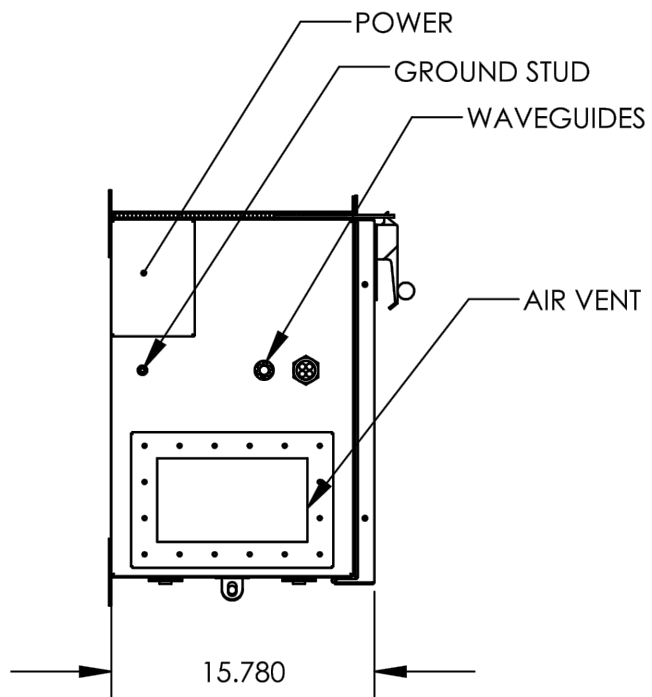



THIS DRAWING AND SPECIFICATIONS HEREIN ARE THE PROPERTY OF ENCONNEX LLC. AND SHALL NOT BE COPIED, REPRODUCED OR USED IN WHOLE OR IN PART, AS THE BASIS FOR THE MANUFACTURE OR SALE OF ITEMS WITHOUT THE WRITTEN PERMISSION OF ENCONNEX LLC. THIS DRAWING IS SUBJECT TO CHANGE WITHOUT NOTICE.

REVISIONS			
REV.	DESCRIPTION	DATE	APPROVED
1	submit for approval	2022.1.5	FANCY FAN



WEIGHT: APPROX. 58.79 LBS.

UNLESS NOTED, DIMENSIONS IN MILLIMETERS & TOLERANCES ARE: X. ± 1 MM X° ± 1° X.X ± 0.5 MM X.X° ± 0.5° X.XX ± 0.20 MM ØX.X ± 0.3 MM ØX.XX ± 0.10 MM	 4670 AIRCENTER CIRCLE, RENO, NV89502	PRODUCT LINE:	
		PART NUMBER: ECX-RFC-16307U-WM	
DRAWING FILE NAME ECX-RFC-16307U-WM		ENGINEER: Carson-Tao	ORG DATE: 2022.1.5
3D MODEL FILE NAME ECX-RFC-16307U-WM		DRAWN: Carson-Tao	REV DATE: 2022.1.5
3D MODEL CONFIGURATION Default		ITEM WEIGHT (REFERENCE ONLY)	REV: 1
UNITS:MM[IN]	INTERPRET TO ASME Y14.100	SIZE: B	SCALE:1:1
DO NOT SCALE DRAWING		SHEET:1/1	

Autodesk

Autodesk