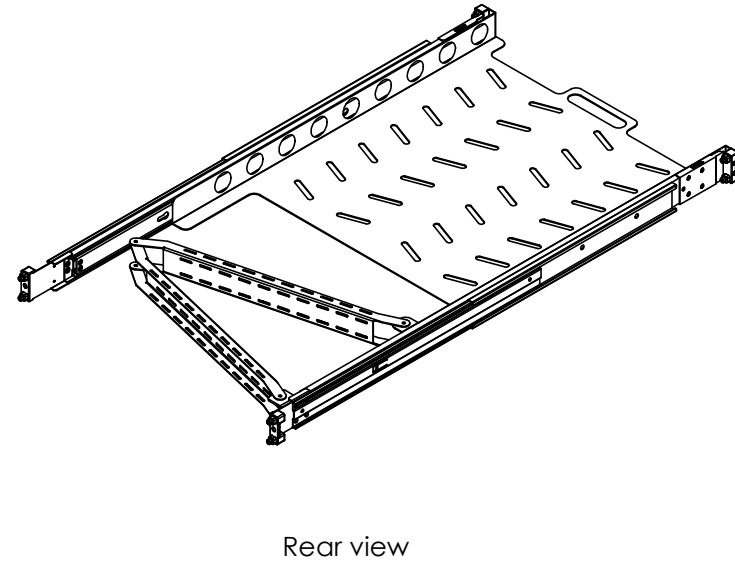
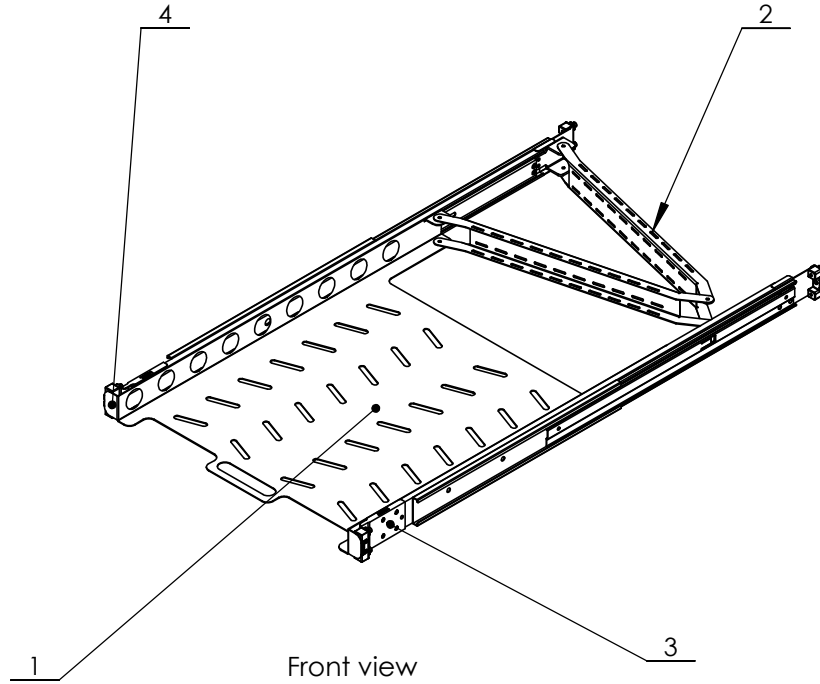

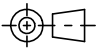


THIS DRAWING AND SPECIFICATIONS HEREIN ARE THE PROPERTY OF ENCONNEX LLC. AND SHALL NOT BE COPIED, REPRODUCED OR USED IN WHOLE OR IN PART, AS THE BASIS FOR THE MANUFACTURE OR SALE OF ITEMS WITHOUT THE WRITTEN PERMISSION OF ENCONNEX LLC. THIS DRAWING IS SUBJECT TO CHANGE WITHOUT NOTICE.

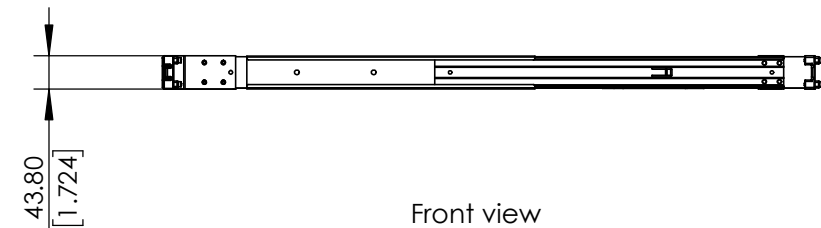
REVISIONS			
REV.	DESCRIPTION	DATE	APPROVED
A	FULL Released	2022/2/28	FANCY FAN



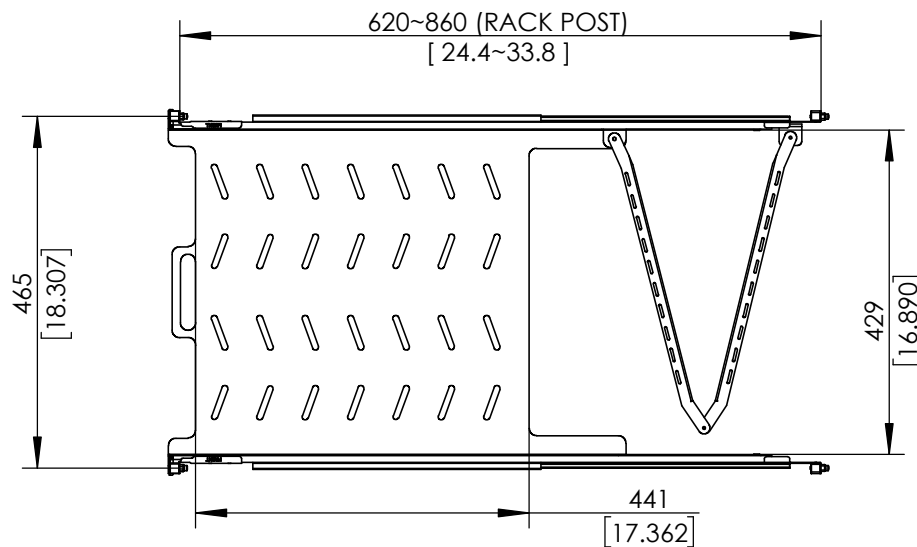
ITEM NO.	PART NUMBER	DESCRIPTION	QUANTITY
1	1M2-Y004	shelf body,CRS+Black powder coating,T=1.2mm	1
2	1M2-Y005	cable manager,CRS+Black powder coating,T=1.2mm	1
3	1M9-Y006-EXT	guide outer rail(set)	1
4	1M9-Y006-INR	guide inner rail(set)	1

UNLESS NOTED, DIMENSIONS IN MILLIMETERS & TOLERANCES ARE:			PRODUCT LINE: Sliding shelf	
X. ±1 MM	X° ±1°		PART NUMBER: ECX-SSF-L450ARM	
X.X ±0.5 MM	X.X° ±0.5°	4670 AIRCENTER CIRCLE, RENO, NV89502	DESCRIPTION: Sliding shelf, light and short version with arm. 441mm D for 750mm mounting. 50lbs loading with rail.	
X.XX ±0.20 MM				
ØX.X ±0.3 MM				
ØX.XX ±0.10 MM				
 THIRD ANGLE PROJECTION	DRAWING FILE NAME ECX-SSF-L450ARM	ENGINEER: Yifei Wang	ORG DATE: 2022/2/28	
	3D MODEL FILE NAME ECX-SSF-L450ARM	DRAWN: Yifei Wang	REV DATE: 2022/2/28	
	3D MODEL CONFIGURATION	ITEM WEIGHT (REFERENCE ONLY)		REV: A
UNITS:MM[IN]	INTERPRET TO ASME Y14.100	SIZE: B	SCALE:1:10	DO NOT SCALE DRAWING
				SHEET:1/3

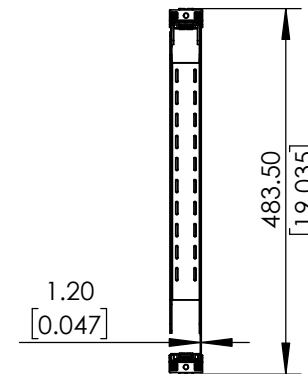
THIS DRAWING AND SPECIFICATIONS HEREIN ARE THE PROPERTY OF ENCONNEX LLC. AND SHALL NOT BE COPIED, REPRODUCED OR USED IN WHOLE OR IN PART, AS THE BASIS FOR THE MANUFACTURE OR SALE OF ITEMS WITHOUT THE WRITTEN PERMISSION OF ENCONNEX LLC. THIS DRAWING IS SUBJECT TO CHANGE WITHOUT NOTICE.



Front view




Top view

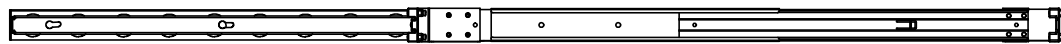


Side view

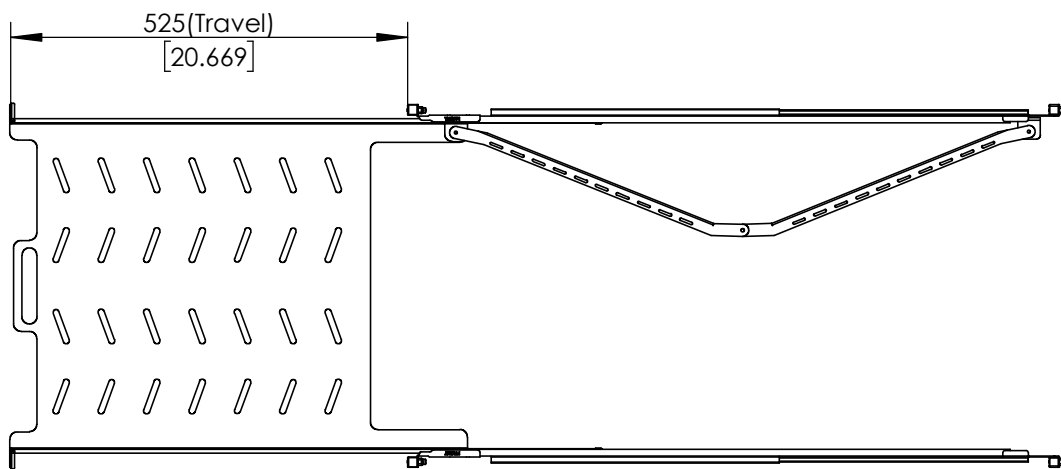
loading capacity:50lbs

UNLESS NOTED, DIMENSIONS IN MILLIMETERS & TOLERANCES ARE:			PRODUCT LINE: Sliding shelf	
X. ± 1 MM	X° ± 1°		PART NUMBER: ECX-SSF-L450ARM	
X.X ± 0.5 MM	X.X° ± 0.5°	4670 AIRCENTER CIRCLE, RENO, NV89502	DESCRIPTION: Sliding shelf, light and short version with arm. 441mm D for 750mm mounting. 50lbs loading with rail.	
X.XX ± 0.20 MM			ENGINEER: Yifei Wang ORG DATE: 2022/2/28	
ØX.X ± 0.3 MM		DRAWN: Yifei Wang REV DATE: 2022/2/28		REV: A
ØX.XX ± 0.10 MM		3D MODEL CONFIGURATION ITEM WEIGHT (REFERENCE ONLY)		
THIRD ANGLE PROJECTION		UNITS:MM[IN]		SCALE:1:10
INTERPRET TO ASME Y14.100		SIZE: B	DO NOT SCALE DRAWING	
				SHEET:2/3

THIS DRAWING AND SPECIFICATIONS HEREIN ARE THE PROPERTY OF ENCONNEX LLC. AND SHALL NOT BE COPIED, REPRODUCED OR USED IN WHOLE OR IN PART, AS THE BASIS FOR THE MANUFACTURE OR SALE OF ITEMS WITHOUT THE WRITTEN PERMISSION OF ENCONNEX LLC. THIS DRAWING IS SUBJECT TO CHANGE WITHOUT NOTICE.



Front view



Top view



Side view

UNLESS NOTED, DIMENSIONS IN MILLIMETERS & TOLERANCES ARE:  
 X. ± 1 MM X° ± 1°  
 X.X ± 0.5 MM X.X° ± 0.5°  
 X.XX ± 0.20 MM  
 ØX.X ± 0.3 MM  
 ØX.XX ± 0.10 MM



PRODUCT LINE:  
Sliding shelf  
 PART NUMBER:  
ECX-SSF-L450ARM  
 DESCRIPTION: Sliding shelf, light and short version with arm. 441mm D for 750mm mounting. 50lbs loading with rail.

<p>THIRD ANGLE PROJECTION</p>	DRAWING FILE NAME ECX-SSF-L450ARM	ENGINEER: Yifei Wang	ORG DATE: 2022/2/28
	3D MODEL FILE NAME ECX-SSF-L450ARM	DRAWN: Yifei Wang	REV DATE: 2022/2/28
	3D MODEL CONFIGURATION	ITEM WEIGHT (REFERENCE ONLY)	
UNITS:MM[IN]	INTERPRET TO ASME Y14.100	SIZE: B	SCALE:1:10
			DO NOT SCALE DRAWING
			SHEET:3/3

F  
E  
D  
C  
B  
A

F  
E  
D  
C  
B  
A

8 7 6 5 4 3 2 1

8 7 6 5 4 3 2 1