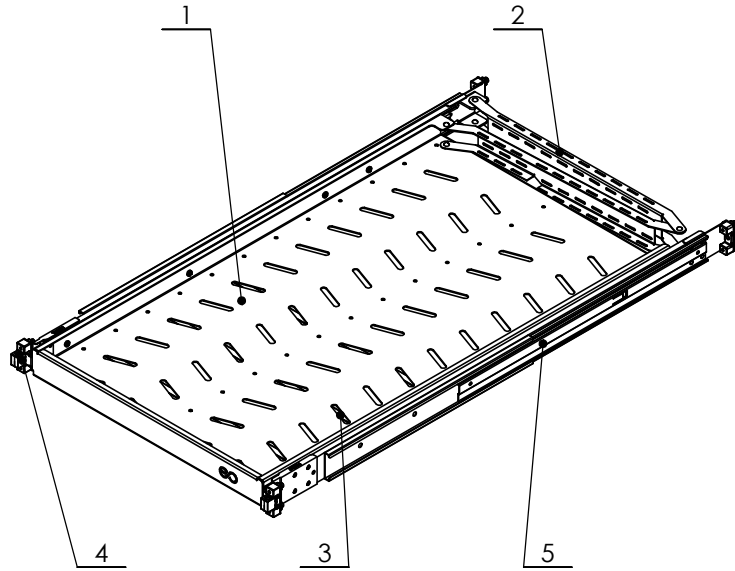
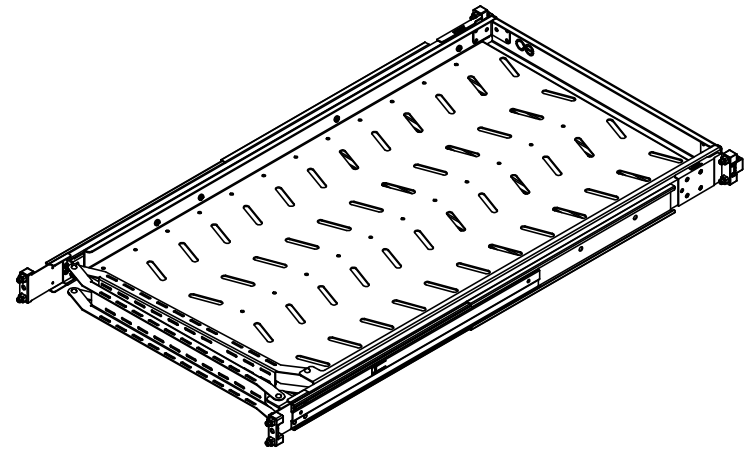


THIS DRAWING AND SPECIFICATIONS HEREIN ARE THE PROPERTY OF ENCONNEX LLC. AND SHALL NOT BE COPIED, REPRODUCED OR USED IN WHOLE OR IN PART, AS THE BASIS FOR THE MANUFACTURE OR SALE OF ITEMS WITHOUT THE WRITTEN PERMISSION OF ENCONNEX LLC. THIS DRAWING IS SUBJECT TO CHANGE WITHOUT NOTICE.

REVISIONS			
REV.	DESCRIPTION	DATE	APPROVED
A	FULL Released	2022/2/10	FANCY FAN




Front view



Rear view

Item	Part Number	Description	Quantity
1	1M2-Y001	Shelf body,CRS+Black powder coating,T=1.5mm	1
2	1M2-Y002	Cable manager,CRS+Black powder coating,T=1.2mm	1
3	1M2-Y003	Stiffener (removable),CRS+Black powder coating,T=1.2mm	3
4	ECX-1URAIL-INR-1x2_DNU	kingslid guide inner rail	1
5	ECX-1URAIL-EXT-LR-1xD_DNU	kingslid guide outer rail	1

UNLESS NOTED, DIMENSIONS IN MILLIMETERS & TOLERANCES ARE:			PRODUCT LINE: Sliding shelf	
X. ±1 MM	X° ±1°		PART NUMBER: ECX-SSF-750ARM-K	
X.X ±0.5 MM	X.X° ±0.5°	4670 AIRCENTER CIRCLE, RENO, NV89502	DESCRIPTION: Sliding shelf with arm. 750mm shelf body for mounting rail 610 to 910mm,100lbs loading with rail.	
X.XX ±0.20 MM			ENGINEER: Yifei Wang	ORG DATE: 2022/2/10
ØX.X ±0.3 MM			DRAWN: Yifei Wang	REV DATE: 2022/2/10
ØX.XX ±0.10 MM		THIRD ANGLE PROJECTION	3D MODEL CONFIGURATION	ITEM WEIGHT (REFERENCE ONLY)
		UNITS:MM[IN]	INTERPRET TO ASME Y14.100	SIZE: B
			SCALE:1:10	DO NOT SCALE DRAWING
				SHEET:1/3

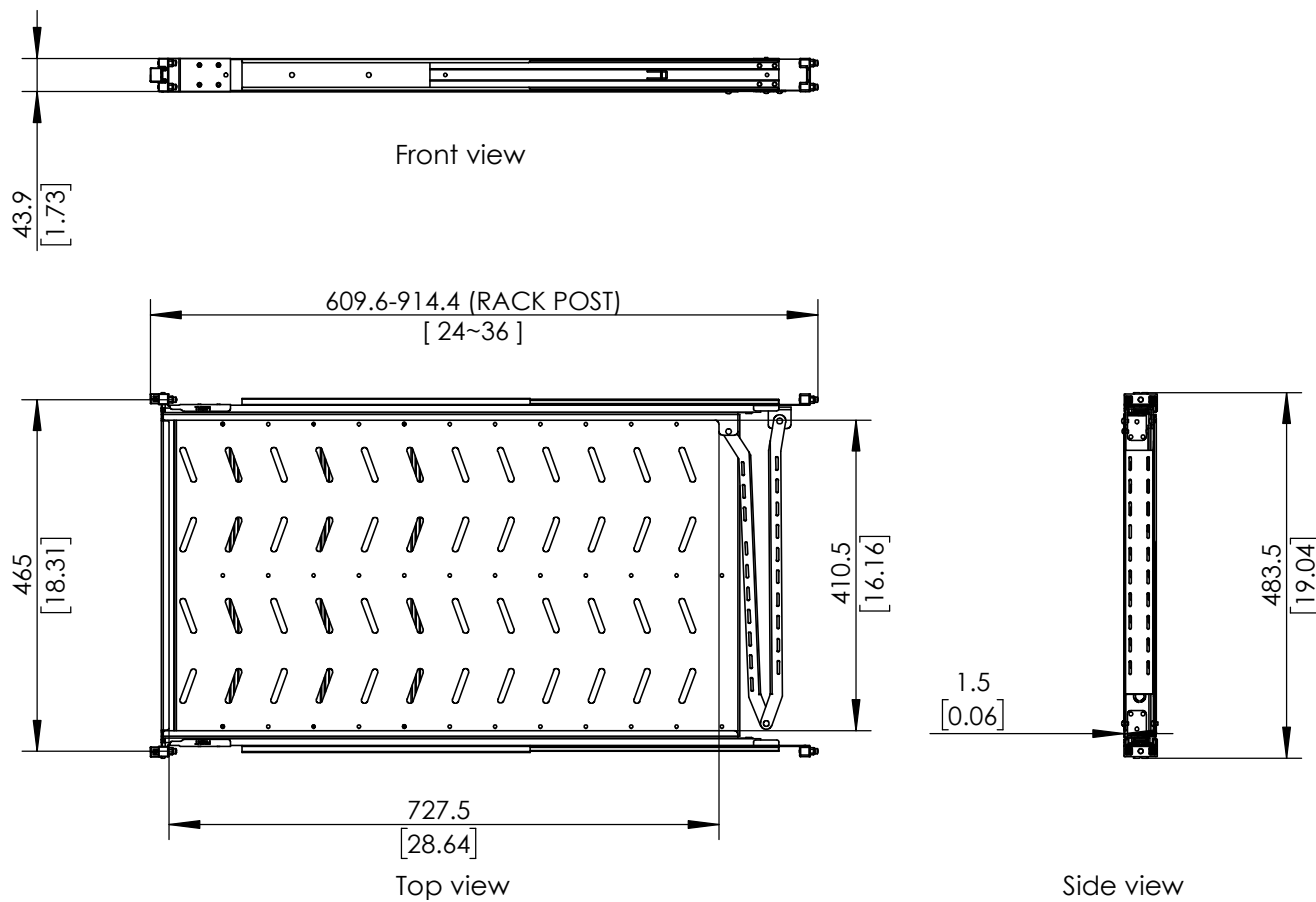
F  
E  
D  
C  
B  
A

F  
E  
D  
C  
B  
A


8 7 6 5 4 3 2 1

8 7 6 5 4 3 2 1

THIS DRAWING AND SPECIFICATIONS HEREIN ARE THE PROPERTY OF ENCONNEX LLC. AND SHALL NOT BE COPIED, REPRODUCED OR USED IN WHOLE OR IN PART, AS THE BASIS FOR THE MANUFACTURE OR SALE OF ITEMS WITHOUT THE WRITTEN PERMISSION OF ENCONNEX LLC. THIS DRAWING IS SUBJECT TO CHANGE WITHOUT NOTICE.



loading capacity:100lbs

UNLESS NOTED, DIMENSIONS IN MILLIMETERS & TOLERANCES ARE:			PRODUCT LINE: Sliding shelf	
X, ±1 MM	X° ±1°		PART NUMBER: ECX-SSF-750ARM-K	
X.X ±0.5 MM	X.X° ±0.5°	4670 AIRCENTER CIRCLE, RENO, NV89502	DESCRIPTION: Sliding shelf with arm. 750mm shelf body for mounting rail. 610 to 910mm, 100lbs loading with rail.	
X.XX ±0.20 MM			DRAWING FILE NAME ECX-SSF-750ARM-K	
ØX.X ±0.3 MM		3D MODEL FILE NAME ECX-SSF-750ARM-K		ENGINEER: Yifei Wang
ØX.XX ±0.10 MM		3D MODEL CONFIGURATION		DRAWN: Yifei Wang
		THIRD ANGLE PROJECTION		ITEM WEIGHT (REFERENCE ONLY)
		UNITS:MM[IN]	INTERPRET TO ASME Y14.100	SCALE:1:7
		SIZE: B	DO NOT SCALE DRAWING	REV: A
				SHEET:2/3

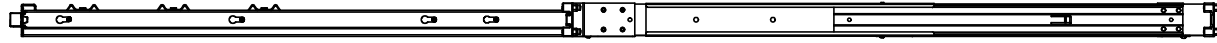
F  
E  
D  
C  
B  
A

F  
E  
D  
C  
B  
A

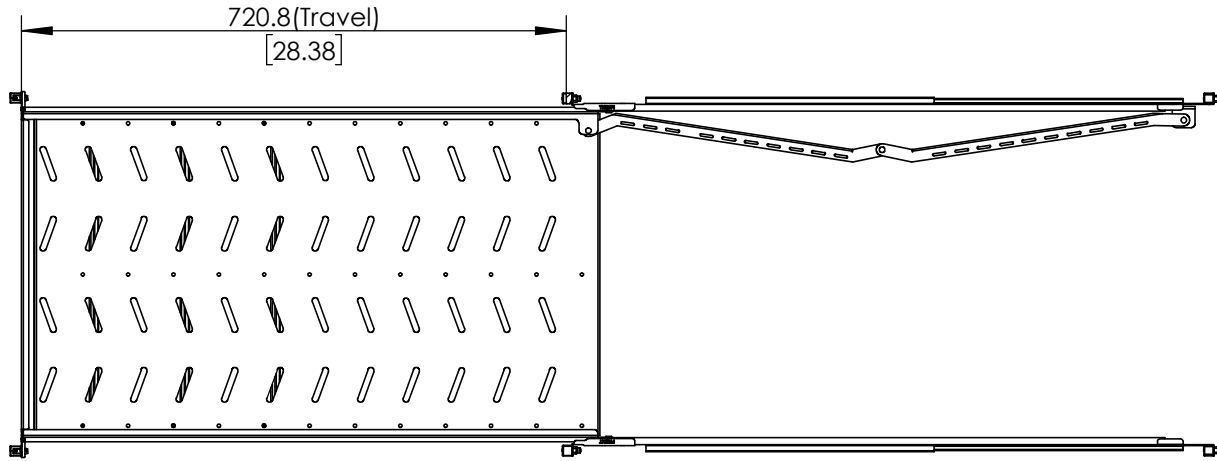
8 7 6 5 4 3 2 1

8 7 6 5 4 3 2 1

THIS DRAWING AND SPECIFICATIONS HEREIN ARE THE PROPERTY OF ENCONNEX LLC. AND SHALL NOT BE COPIED, REPRODUCED OR USED IN WHOLE OR IN PART, AS THE BASIS FOR THE MANUFACTURE OR SALE OF ITEMS WITHOUT THE WRITTEN PERMISSION OF ENCONNEX LLC. THIS DRAWING IS SUBJECT TO CHANGE WITHOUT NOTICE.




Front view

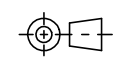


Top view



Side view

UNLESS NOTED, DIMENSIONS IN MILLIMETERS & TOLERANCES ARE:			PRODUCT LINE: Sliding shelf		
X. ± 1 MM	X° ± 1°		PART NUMBER: ECX-SSF-750ARM-K		
X.X ± 0.5 MM	X.X° ± 0.5°	4670 AIRCENTER CIRCLE, RENO, NV89502	DESCRIPTION: Sliding shelf with arm. 750mm shelf body for mounting rail 610 to 910mm, 100lbs loading with rail.		
X.XX ± 0.20 MM					
ØX.X ± 0.3 MM		DRAWING FILE NAME ECX-SSF-750ARM-K		ENGINEER: Yifei Wang	
ØX.XX ± 0.10 MM		3D MODEL FILE NAME ECX-SSF-750ARM-K		DRAWN: Yifei Wang	
		3D MODEL CONFIGURATION		ITEM WEIGHT (REFERENCE ONLY)	
				REV: A	
UNITS:MM[IN]		INTERPRET TO ASME Y14.100	SIZE: B	SCALE:1:10	DO NOT SCALE DRAWING
					SHEET:3/3



THIRD ANGLE PROJECTION

A