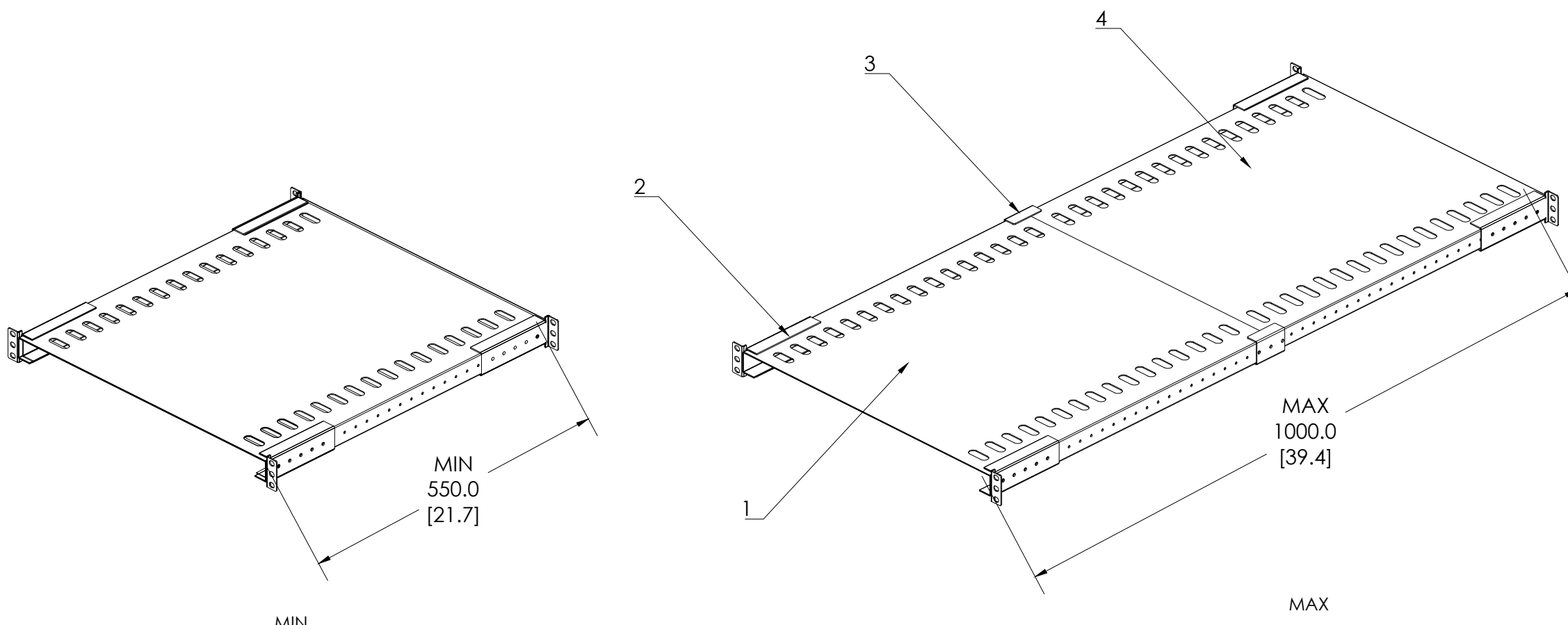

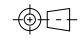


THIS DRAWING AND SPECIFICATIONS HEREIN ARE THE PROPERTY OF ENCONNEX LLC. AND SHALL NOT BE COPIED, REPRODUCED OR USED IN WHOLE OR IN PART, AS THE BASIS FOR THE MANUFACTURE OR SALE OF ITEMS WITHOUT THE WRITTEN PERMISSION OF ENCONNEX LLC. THIS DRAWING IS SUBJECT TO CHANGE WITHOUT NOTICE.

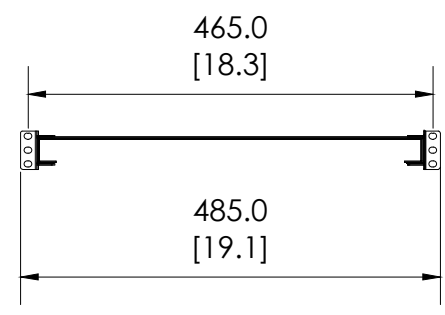
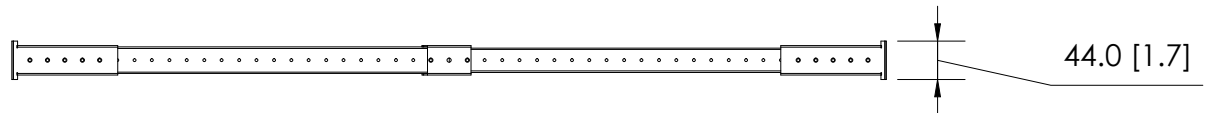
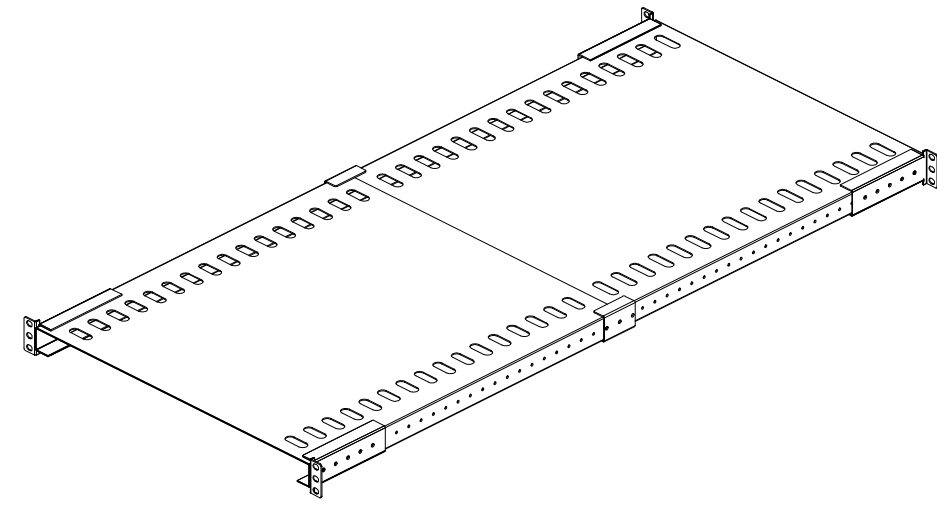
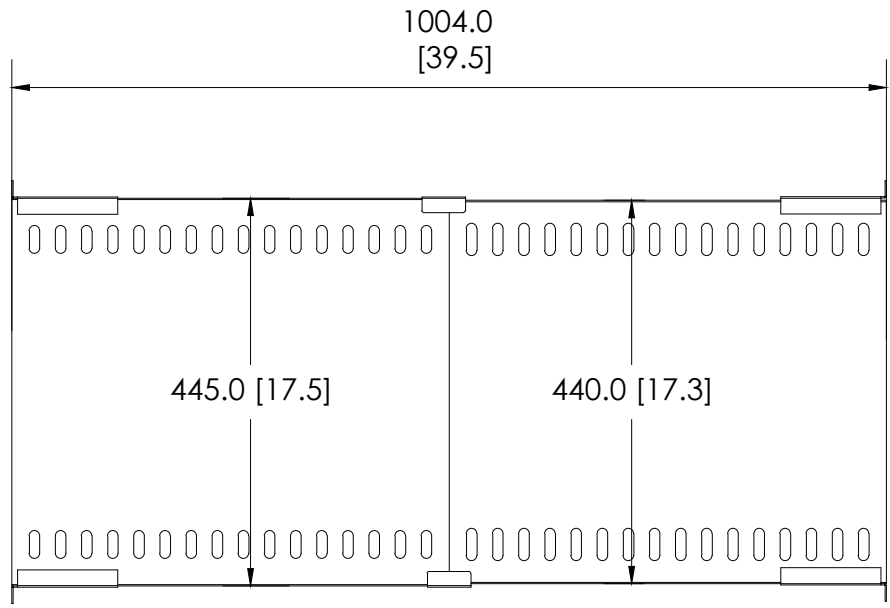
REVISIONS			
REV	DESCRIPTION	DATE	APPROVED
A	Full Release	2021.10.21	FANCY FAN



ITEM	PN	DES	PCS
1	1M2-W050	Bottom plate 1	1
2	1M2-W051	Hanging ears	4
3	1M2-W052	C bracket	2
4	1M2-W053	Bottom plate 2	1
5	OK0-W030	Accessories bag	1

TOLERANCES LINER[mm] X. = ± 1 X.X = ± 0.5 X.XX = ± 0.30 X.XXX = ± 0.130  ANGULAR X° = ± 1° X.X° = ± 0.5° X.XX° = ± 0.25°	MATERIAL: CRS	 4670 AIRCENTER CIRCLE, RENO, NV89502	PART NUMBER: ECX-FSF-521-1004
	FINISH: RAL 9005		DESCRIPTION: Fix shelf, for 4 post cabinet, 1U, 521-1004 D, for 550-1000mm mounting rail distance, 150lbs
 DEBUR AND BREAK SHARP EDGES/CORNERS AT 0.2mm MAX	DRAWN BY: WAYNE WANG		ORG DATE: 2021.10.21
UNITS: MM[IN]	INTERPRET TO ASME Y14.100	APPROVED BY: FANCY FAN	REV DATE: 2021.10.21
SIZE: A	SCALE: 1:1	SHEET: 1/2	REV: A

THIS DRAWING AND SPECIFICATIONS HEREIN ARE THE PROPERTY OF ENCONNEX LLC, AND SHALL NOT BE COPIED, REPRODUCED OR USED IN WHOLE OR IN PART, AS THE BASIS FOR THE MANUFACTURE OR SALE OF ITEMS WITHOUT THE WRITTEN PERMISSION OF ENCONNEX LLC. THIS DRAWING IS SUBJECT TO CHANGE WITHOUT NOTICE.



NOTES, UNLESS OTHERWISE SPECIFIED:

- MATERIAL: CRS.
- FINISH: POWDERCOAT RAL9005. ALL SURFACES EXCEPT WHERE NOTED INCLUDING PEM HEADS, MASK STANDOFFS AND THREADS; REMOVE MASK PRIOR TO SHIPPING. ALL DIMS PRE-FINISH.  
WHERE INDICATED MASK BEFORE POWDERCOAT. FINISH WITH CONDUCTIVE PAINT.
- PART MUST BE SUFFICIENTLY FREE OF BURRS AND SHARP EDGES TO PASS UL 1439 SHARP EDGE TEST.
- ALL PARTS TO BE FREE OF DIRT OR GRIME THAT PREVENTS LABEL ADHESION OR ALLOWS TRANSFER ONTO COSMETIC AREAS.
- 3D CAD AVAILABLE IN ADDITION TO PDF PRINT. SHOULD DISCREPANCY ARISE, CONSULT ENCONNEX ENGINEERING IMMEDIATELY.
- MUST BE ROHS COMPLIANT, INCLUDING HARDWARE.
- DIMENSIONS IDENTIFIED WITH (X.XX) ARE CONSIDERED CRITICAL TO QUALITY (CTQ) DIMENSIONS. THESE DIMENSIONS ARE EXPECTED TO BE MONITORED STATISTICALLY AND DOCUMENTED AS PART OF THE FABRICATION PROCESS.
- 1.0MM STRAIGHTNESS AT EDGES. 1.0MM FLATNESS FOR SURFACES LESS THAN 150MM IN EITHER DIRECTION. 3.0MM FLATNESS FOR LARGER SURFACES. 90° BENDS ARE ±0.5°.

UNLESS NOTED, DIMENSIONS IN MILLIMETERS & TOLERANCES ARE:			PRODUCT LINE: 4 Post Fix Shelf	
X. ±1 MM	X° ±1°		PART NUMBER: ECX-FSF-521-1004	
X.X ±0.5 MM	X.X° ±0.5°	4670 AIRCENTER CIRCLE, RENO, NV89502	DESCRIPTION: Fix shelf, for 4 post cabinet, 1U, 521-1004 D, for 550-1000mm mounting rail distance, 150lbs	
X.XX ±0.20 MM			DRAWING FILE NAME ECX-FSF-521-1004	
ØX.X ±0.3 MM		3D MODEL FILE NAME ECX-FSF-521-1004		ENGINEER:WAYNE WANG
ØX.XX ±0.10 MM		3D MODEL CONFIGURATION		ORG DATE:2021.10.21
THIRD ANGLE PROJECTION		ITEM WEIGHT (REFERENCE ONLY)		REV DATE:2021.10.21
UNITS:MM(IN)		INTERPRET TO ASME Y14.100	SIZE: A	SCALE:1:1
		DO NOT SCALE DRAWING	SHEET:2/2	

Autodesk

Autodesk

Autodesk