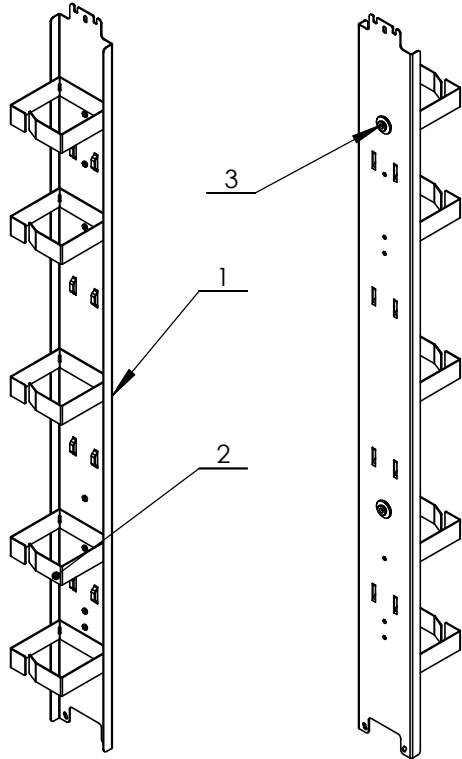


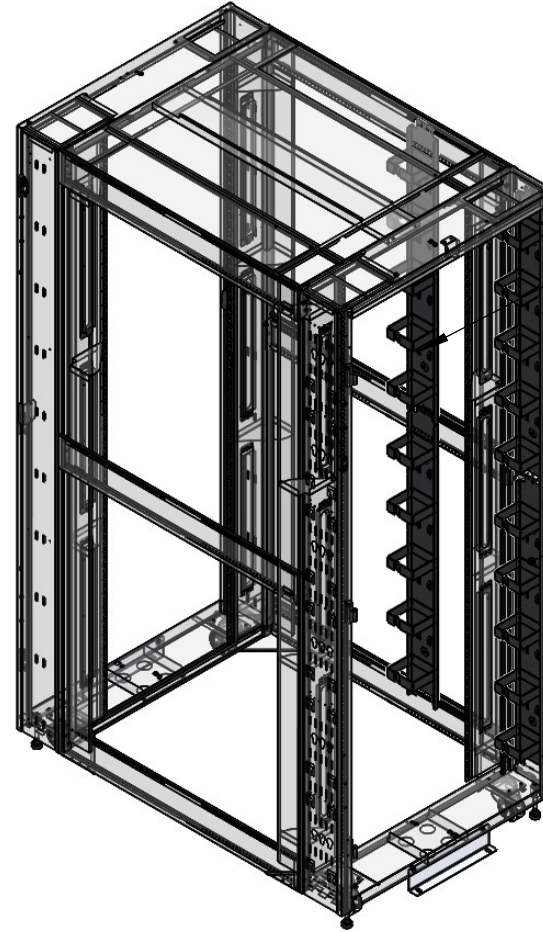
THIS DRAWING AND SPECIFICATIONS HEREIN ARE THE PROPERTY OF ENCONNEX LLC. AND SHALL NOT BE COPIED, REPRODUCED OR USED IN WHOLE OR IN PART, AS THE BASIS FOR THE MANUFACTURE OR SALE OF ITEMS WITHOUT THE WRITTEN PERMISSION OF ENCONNEX LLC. THIS DRAWING IS SUBJECT TO CHANGE WITHOUT NOTICE.

REVISIONS				
REV.	SUFFIX	DESCRIPTION	DATE	APPROVED
A		FULL Released	2022/2/16	FANCY FAN




Front view

Rear view



application view


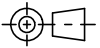
ITEM NO.	PART NUMBER	DESCRIPTION	QTY.
1	1M5-Y004	cable manager base	1
2	1M5-Y005	metal loop	5
3	P400-000005 TOOLLESS MOUNTING PART	PEG TOOLLESS MOUNTING,ROHS	2

UNLESS NOTED, DIMENSIONS IN MILLIMETERS & TOLERANCES ARE:			PRODUCT LINE: Cable management	
X, ±1 MM	X° ±1°		PART NUMBER: ECX-CBLP-VRT52U	
X.X ±0.5 MM	X.X° ±0.5°	4670 AIRCENTER CIRCLE, RENO, NV89502	DESCRIPTION: Cable Loop 90mmX93mm, used for 52U, DC&ECX cabinet PDU bar& Beam Mounted, 2pcs/set	
X.XX ±0.20 MM			DRAWING FILE NAME ECX-CBLP-VRT52U	
ØX.X ±0.3 MM		3D MODEL FILE NAME ECX-CBLP-VRT52U		ENGINEER: Yifei Wang
ØX.XX ±0.10 MM		3D MODEL CONFIGURATION		ORG DATE: 2022/2/16
THIRD ANGLE PROJECTION		ITEM WEIGHT (REFERENCE ONLY)		DRAWN: Yifei Wang
UNITS:MM(IN)		INTERPRET TO ASME Y14.100	SCALE:1:10	REV DATE: 2022/2/16
		SIZE: B	DO NOT SCALE DRAWING	REV: A
				SHEET:1/2

THIS DRAWING AND SPECIFICATIONS HEREIN ARE THE PROPERTY OF ENCONNEX LLC. AND SHALL NOT BE COPIED, REPRODUCED OR USED IN WHOLE OR IN PART, AS THE BASIS FOR THE MANUFACTURE OR SALE OF ITEMS WITHOUT THE WRITTEN PERMISSION OF ENCONNEX LLC. THIS DRAWING IS SUBJECT TO CHANGE WITHOUT NOTICE.

NOTES, UNLESS OTHERWISE SPECIFIED:

1. MATERIAL:CRS 1.5MM.
2. FINISH: POWDERCOAT RAL9005. ALL SURFACES EXCEPT WHERE NOTED INCLUDING PEM HEADS. MASK STANDOFFS AND THREADS; REMOVE MASK PRIOR TO SHIPPING. ALL DIMS PRE-FINISH. WHERE INDICATED M MASK BEFORE POWDERCOAT. FINISH WITH CONDUCTIVE PAINT.
3. PART MUST BE SUFFICIENTLY FREE OF BURRS AND SHARP EDGES TO PASS UL 1439 SHARP EDGE TEST.
4. ALL PARTS TO BE FREE OF DIRT OR GRIME THAT PREVENTS LABEL ADHESION OR ALLOWS TRANSFER ONTO COSMETIC AREAS.
5. 3D CAD AVAILABLE IN ADDITION TO PDF PRINT. SHOULD DISCREPANCY ARISE, CONSULT ENCONNEX ENGINEERING IMMEDIATELY.
6. MUST BE ROHS COMPLIANT, INCLUDING HARDWARE.
7. DIMENSIONS IDENTIFIED WITH X.XX ARE CONSIDERED CRITICAL TO QUALITY (CTQ) DIMENSIONS. THESE DIMENSIONS ARE EXPECTED TO BE MONITORED STATISTICALLY AND DOCUMENTED AS PART OF THE FABRICATION PROCESS.
8. 1.0MM STRAIGHTNESS AT EDGES. 1.0MM FLATNESS FOR SURFACES LESS THAN 150MM IN EITHER DIRECTION. 3.0MM FLATNESS FOR LARGER SURFACES. 90° BENDS ARE ±0.5°.

UNLESS NOTED, DIMENSIONS IN MILLIMETERS & TOLERANCES ARE: X. ±1 MM X° ±1° X.X ±0.5 MM X.X° ±0.5° X.XX ±0.20 MM ØX.X ±0.3 MM ØX.XX ±0.10 MM		PRODUCT LINE: Cable management	
		PART NUMBER: ECX-CBLP-VRT52U	
4670 AIRCENTER CIRCLE, RENO, NV89502		DESCRIPTION: Cable Loop 90mmX93mm, used for 52U, DC&ECX cabinet PDU bar& Beam Mounted. 2pcs/set	
 THIRD ANGLE PROJECTION	DRAWING FILE NAME ECX-CBLP-VRT52U	ENGINEER: Yifei Wang	ORG DATE: 2022/2/16
	3D MODEL FILE NAME ECX-CBLP-VRT52U	DRAWN: Yifei Wang	REV DATE: 2022/2/16
	3D MODEL CONFIGURATION	ITEM WEIGHT (REFERENCE ONLY)	
UNITS:MM[IN]	INTERPRET TO ASME Y14.100	SIZE: B	SCALE:1:10
			DO NOT SCALE DRAWING
			SHEET:2/2

F
E
D
C
B
A

F
E
D
C
B
A

8

7

6

5

4

3

2

1

8

7

6

5

4

3

2

1