

Cable Manager Loop

SKU#: ECX-CBLP-SLPX12

Enconnex cable management accessories offer the proper cable management options to meet varying needs. Solutions range from the cable management loop to vertical or horizontal managers. These products are designed to maximize usable cabinet space and cable volume.

PRODUCT APPLICATIONS

- Enconnex Cabinet or rack where the cable retention is a consideration
- Excellent for high-density server or networking applications

PRODUCT FEATURES

- Built from top quality materials
- Simple, rack-mounting
- Multiple mounting positions
- Designed to integrate seamlessly with Enconnex brand cabinets
- Fits up to 50 Cat 6 cables

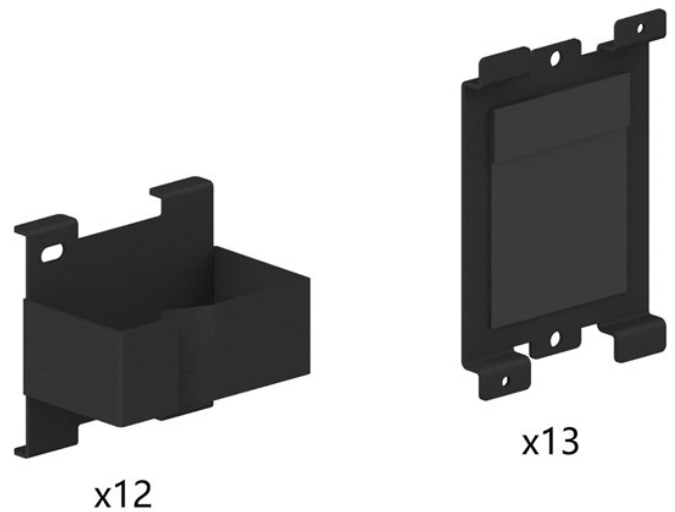


Figure 1 - Cable Manager Loop

PHYSICAL SPECIFICATIONS

Physical	Specs
Dimensions (LxWxD)	77.2" x 3.9" x 3.7" (1962.6 x 100 x 94.5 mm)
Net Weight (lbs/kg)	5.5 lbs (2.5 kg)
Color	Black
Material	CRS + Nylon
Compatibility	ECX Series mounting rail
Cable Retention Type	Metal loop
Cable Housing Volume	50 Cat6 cables