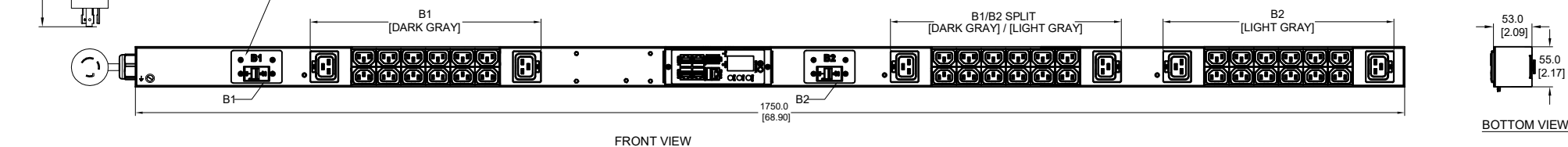
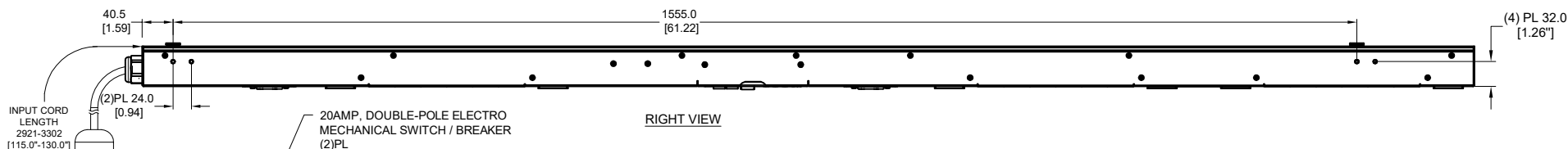
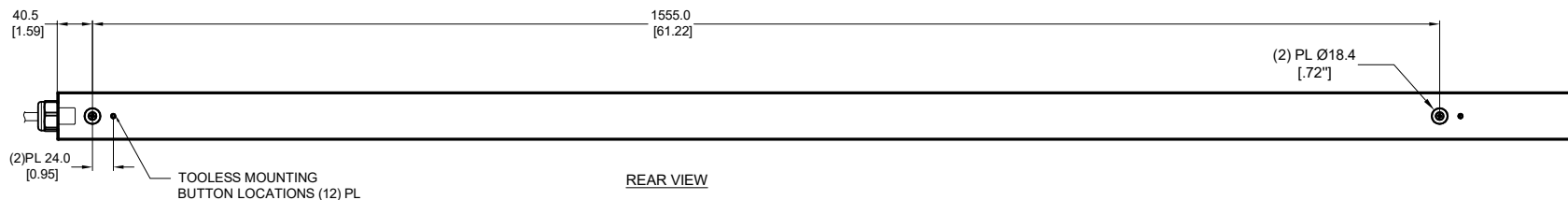


Notes/Instructions:

| REV | REV DATE   | DESCRIPTION | APPROVAL |
|-----|------------|-------------|----------|
| A   | 2020-04-28 | RELEASE     | SDRF     |



**PLUG/RECEPTACLE BLOCK**



PLUG  
NEMA L6-30P, 2P 3W  
30A, 250V MAX RATED INPUT  
24A DERATED



RECEPTACLE  
IEC 60320/C19  
16A, 250V MAX RATED OUTPUT



RECEPTACLE  
IEC 60320/C13  
10A, 250V MAX RATED OUTPUT

**SPECIFICATION:**

- STANDARD:
  - UNIT TYPE: INPUT METERED
  - ORIENTATION: VERTICAL, 0U FULL
  - OUTLET QTY&TYPE: (36)C13, (6)C19
  - INPUT VOLTAGE: 208-240 VAC
  - INPUT CURRENT: 30 (24A DERATED)
  - BREAKER QTY&TYPE: (2) 20AMP, DOUBLE-POLE
  - INPUT PHASE: SINGLE-PHASE
  - RATED POWER: 5.0 kVA
  - INPUT PLUG: NEMA L6-30P
  - INPUT POWER CORD: [10'], BOTTOM FEED
  - REGULATORY STANDARD: RoHS COMPLIANT
- ADDITIONAL: NONE
- ACCESSORIES: (1) QUICK-START GUIDE

**Notes:**

This drawing and its specifications are the property of ENCONNEX and shall not be copied, reproduced, or used in whole or in part, as the basis for the manufacture or sale of items without written permission from ENCONNEX. This drawing is based upon the latest available information and is subject to change without notice.

|  |   |                           |  |
|--|---|---------------------------|--|
| <b>TOLERANCES</b><br>LINEAR (mm)<br>X = ±1<br>XX = ±0.5<br>XXX = ±0.30<br>XXXX = ±0.130<br>ANGULAR<br>X = 1°<br>.X = 0.5°<br>.XX = 0.25° | <b>MATERIAL:</b>                                    |                           | <b>PART NUMBER:</b><br>ECX-MV1236060-E   |
|  | <b>DESCRIPTION:</b>                                 |                           | 4670 AIRCENTER CIRCLE,<br>RENO, NV 89502 |
|  | DEBUR AND BREAK SHARP<br>EDGES/CORNERS AT 0.2mm MAX | DRAWN BY: LEO             | ORG DATE: 2020-04-28                     |
|  | UNITS: mm [in]                                      | INTERPRET TO ASME Y14.100 | APPROVED BY: R. FAULKNER                 |
|  |   | SCALE: 1 : 1              | SHEET: 1/2                               |
|  |   |                           | REV: A                                   |

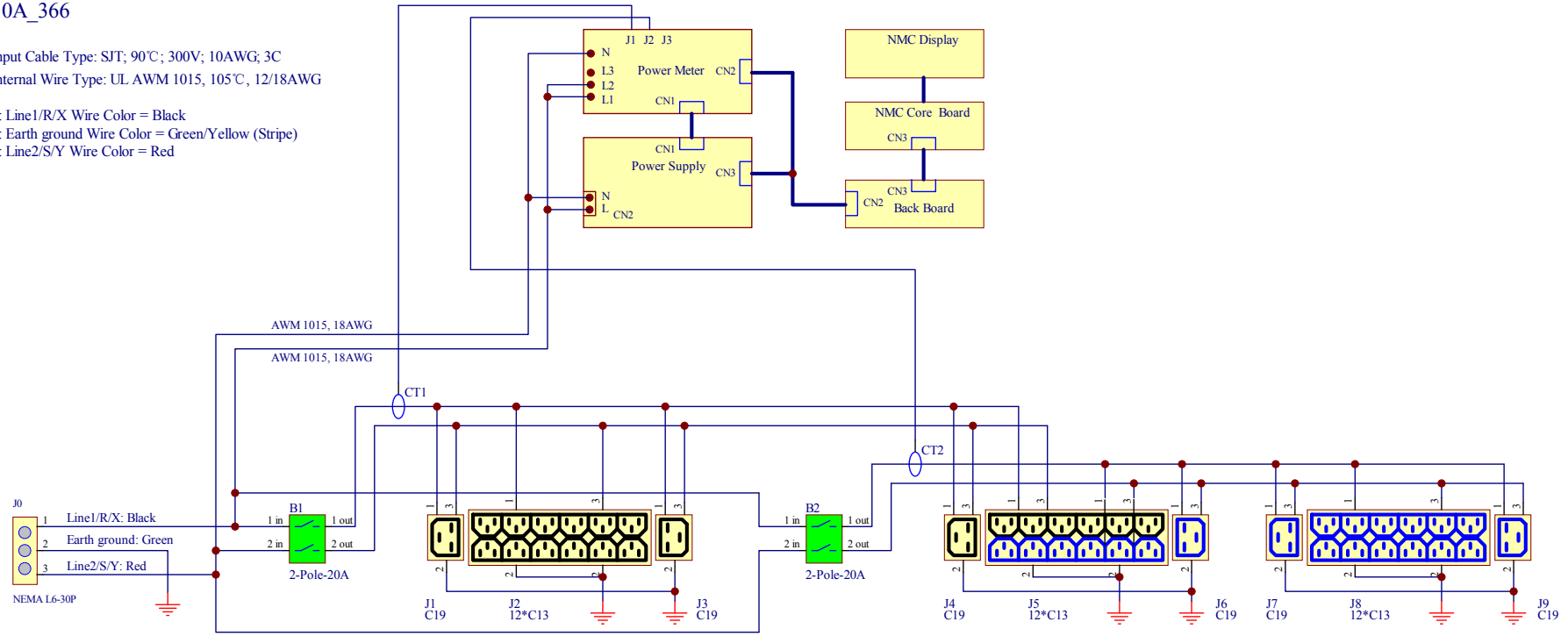
Notes/Instructions:

| REV | REV DATE   | DESCRIPTION | APPROVAL |
|-----|------------|-------------|----------|
| A   | 2020-04-28 | RELEASE     | SDRF     |



30A\_366

Input Cable Type: SJT; 90°C; 300V; 10AWG; 3C  
 Internal Wire Type: UL AWM 1015, 105°C, 12/18AWG

- 1: Line1/R/X Wire Color = Black
- 5: Earth ground Wire Color = Green/Yellow (Stripe)
- 3: Line2/S/Y Wire Color = Red



**Notes:**  
 This drawing and its specifications are the property of ENCONNEX and shall not be copied, reproduced, or used in whole or in part, as the basis for the manufacture or sale of items without written permission from ENCONNEX. This drawing is based upon the latest available information and is subject to change without notice.

|  |   |  |  |
|--|---|--|--|
| <b>TOLERANCES</b><br>LINEAR (mm)<br>X = ±1<br>XX = ±0.5<br>XXX = ±0.30<br>XXXX = ±0.130<br>ANGULAR<br>X = 1°<br>X = 0.5°<br>XX = 0.25°       | <b>MATERIAL:</b>                          | <br><b>ENCONNEX</b><br>4670 AIRCENTER CIRCLE,<br>RENO, NV 89502 | <b>PART NUMBER:</b><br>ECX-MV1236060-E |
|  | <b>DESCRIPTION:</b>                       |  | <b>DESCRIPTION:</b>                    |
| <br>DEBUR AND BREAK SHARP<br>EDGES/CORNERS AT 0.2mm MAX | DRAWN BY: LED<br>APPROVED BY: R. FAULKNER | ORG DATE: 2020-04-28<br>REV DATE:  | SHEET: 2/2<br>REV: A                   |
| <b>UNITS:</b> mm [in]  | INTERPRET TO ASME Y14.100                 | SIZE: A3<br>SCALE: 1 : 1   | SHEET: 2/2<br>REV: A                   |