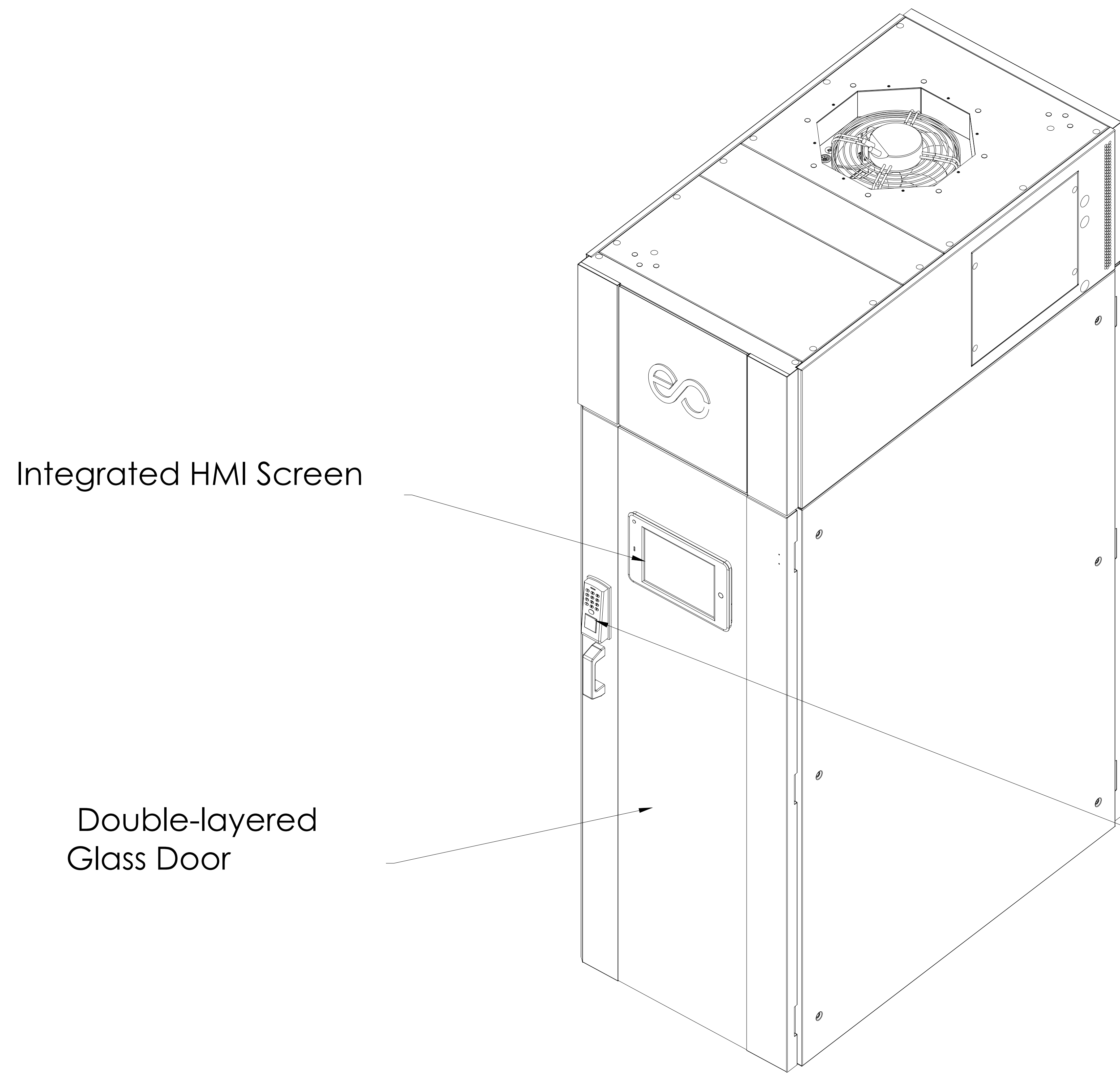


THIS DRAWING AND SPECIFICATIONS HEREIN ARE THE PROPERTY OF ENCONNEX LLC. AND SHALL NOT BE COPIED, REPRODUCED OR USED IN WHOLE OR IN PART, AS THE BASIS FOR THE MANUFACTURE OR SALE OF ITEMS WITHOUT THE WRITTEN PERMISSION OF ENCONNEX LLC. THIS DRAWING IS SUBJECT TO CHANGE WITHOUT NOTICE.

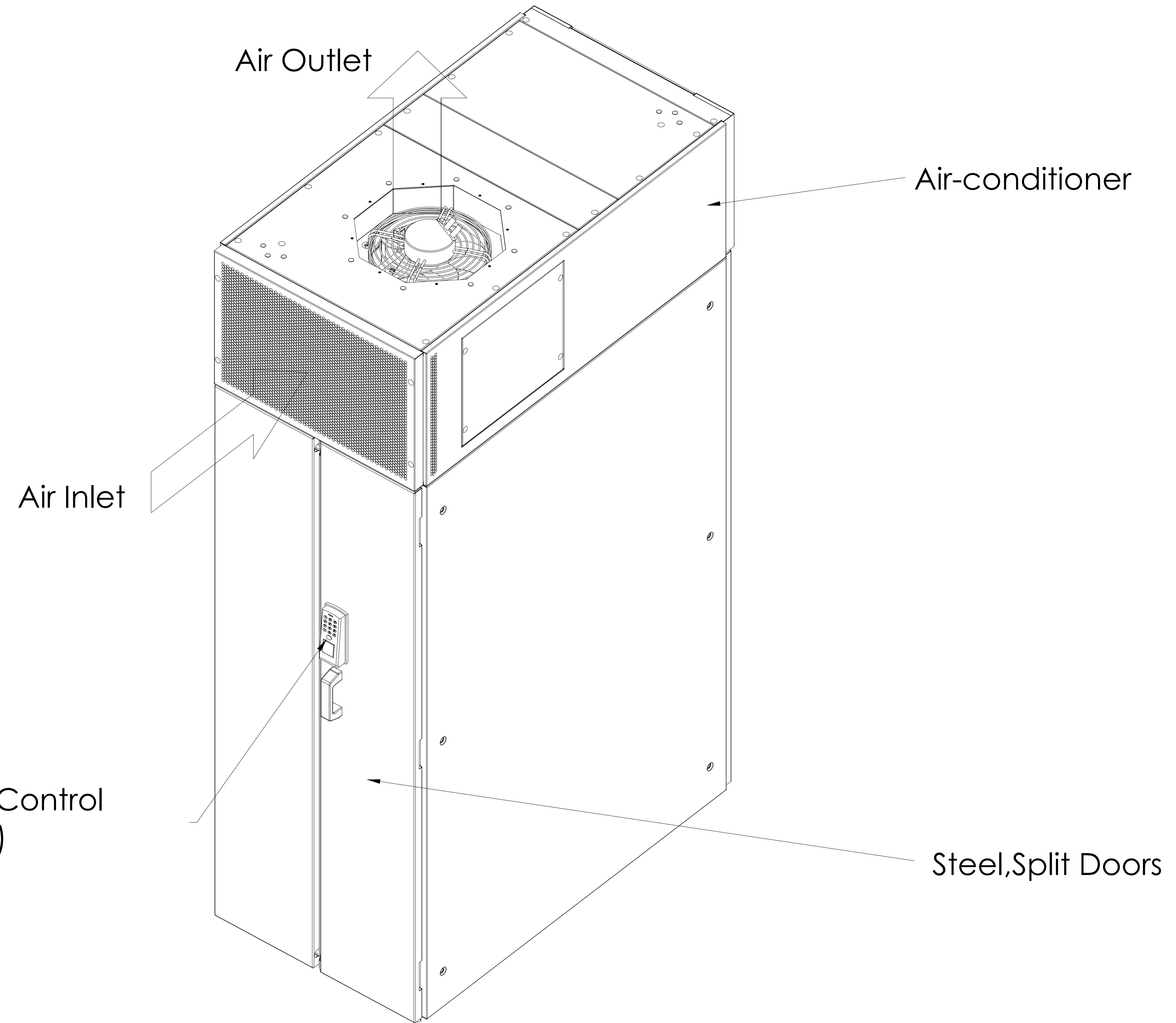
REVISIONS			
REV	DESCRIPTION	DATE	APPROVED
A	Full Release	2021.9.24	FANCY FAN



Integrated HMI Screen

Double-layered Glass Door

Front Door



Air Outlet

Air-conditioner

Air Inlet


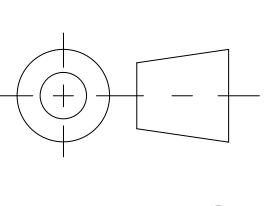
Access Control (2 pcs)

Steel, Split Doors

Rear Door

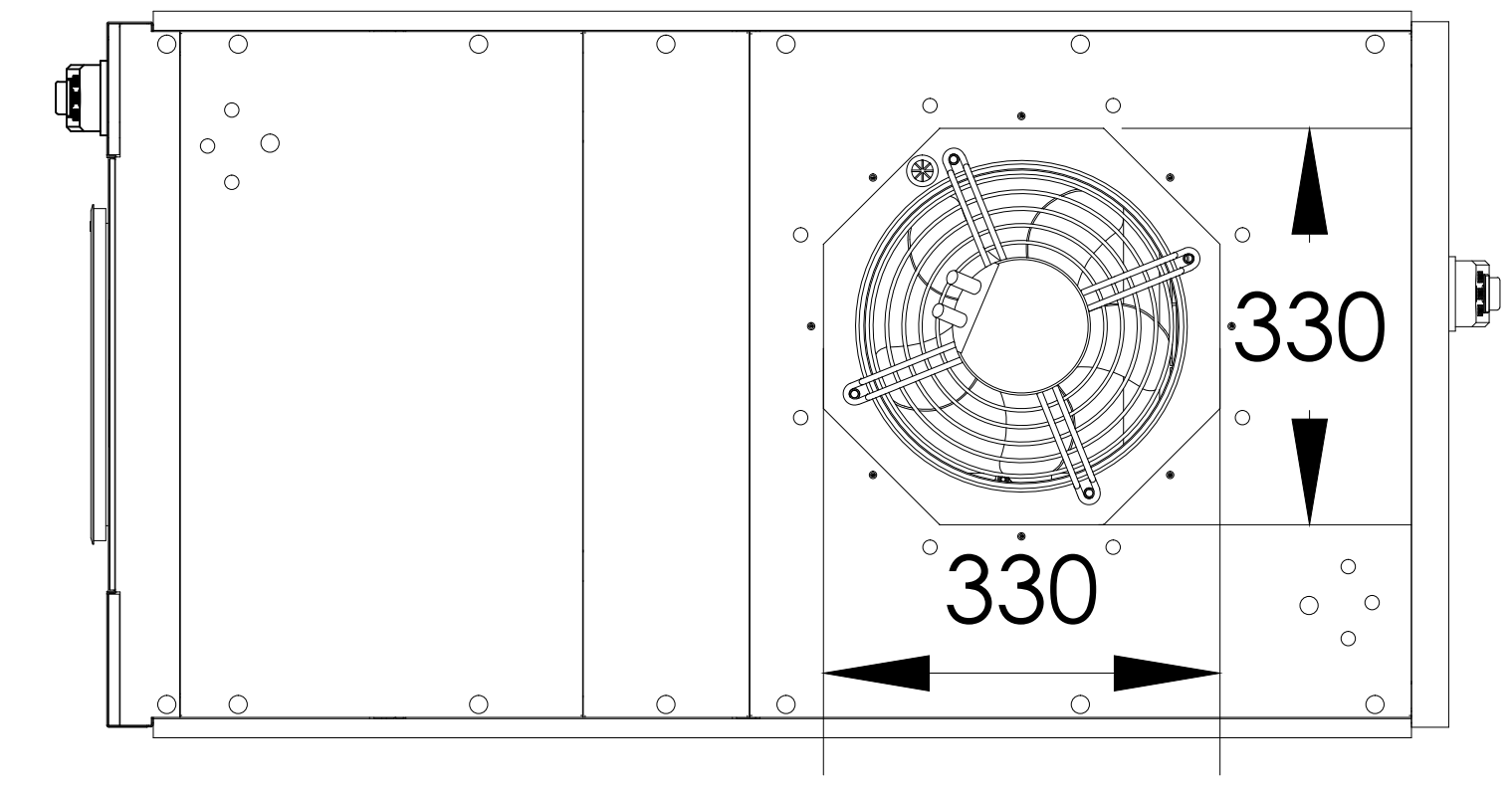
Notes:

This drawing and its specifications are the property of ENCONNEX and shall not be copied, reproduced, or used in whole or in part, as the basis for the manufacture or sale of items without written permission from ENCONNEX. This drawing is based upon the latest available information and is subject to change without notice.

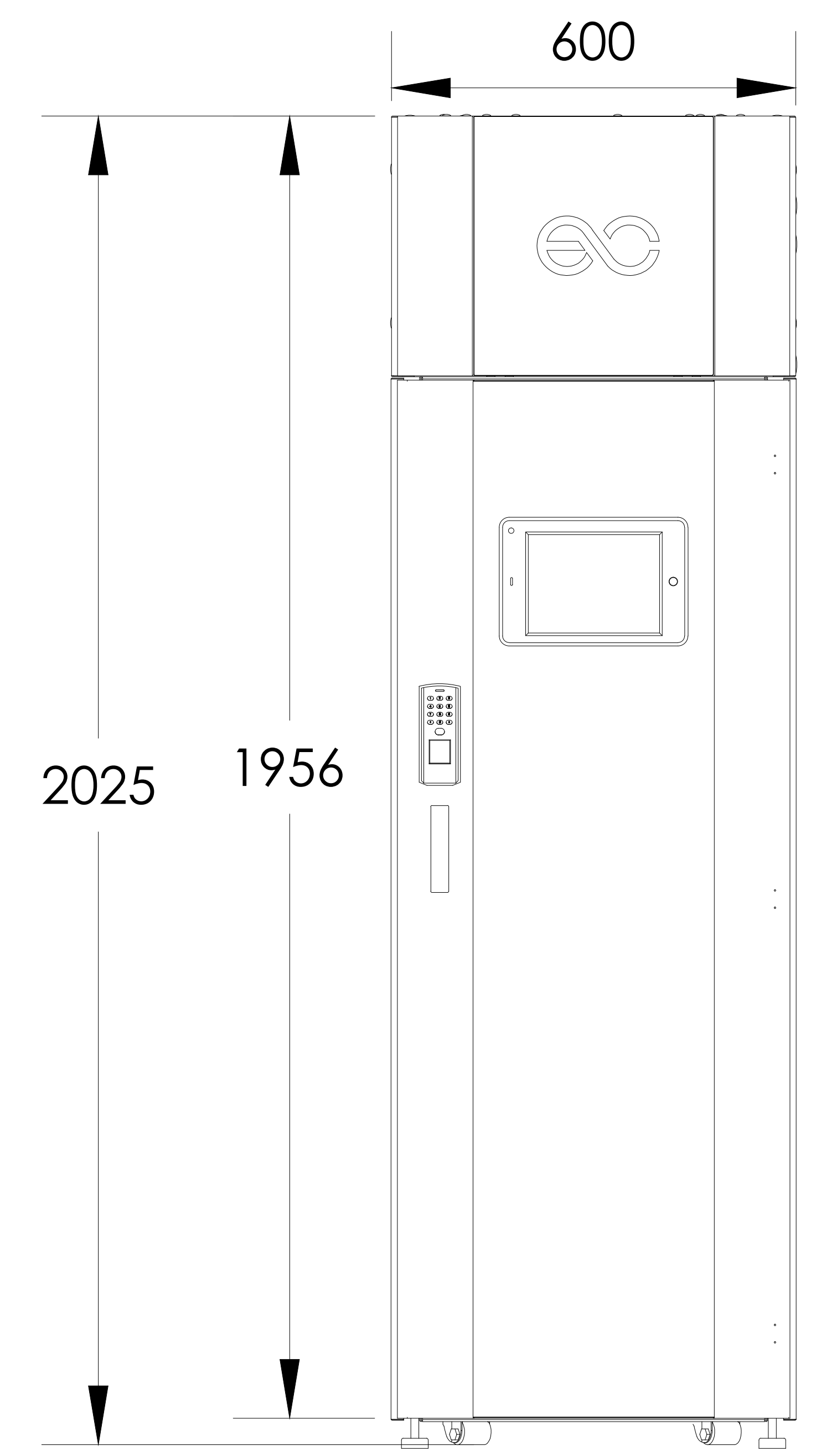
UNLESS NOTED, DIMENSIONS IN MILLIMETERS & TOLERANCES ARE:		 ENCONNEX 4670 AIRCENTER CIRCLE, RENO, NV89502	PRODUCT LINE: Edge Rack	
X, X.X	± 1 MM		X°	± 1°
X.XX	± 0.5 MM	X.X°	± 0.5°	DESCRIPTION: EdgeRack 3P
X.XXX	± 0.20 MM			
ØX.X	± 0.3 MM			
ØX.XX	± 0.10 MM			
 THIRD ANGLE PROJECTION	DRAWING FILE NAME ECX-ER3P-42UXX	ENGINEER: LIJUN WANG	ORG DATE: 2021.9.24	
	3D MODEL FILE NAME ECX-ER3P-42UXX	DRAWN: WAYNE WANG	REV DATE: 2021.9.24	
	3D MODEL CONFIGURATION	ITEM WEIGHT (REFERENCE ONLY)	REV: A	
UNITS:MM(IN)	INTERPRET TO ASME Y14.100	SIZE: A	SCALE:1:1 DO NOT SCALE DRAWING	SHEET:1/3

THIS DRAWING AND SPECIFICATIONS HEREIN ARE THE PROPERTY OF ENCONNEX LLC. AND SHALL NOT BE COPIED, REPRODUCED OR USED IN WHOLE OR IN PART, AS THE BASIS FOR THE MANUFACTURE OR SALE OF ITEMS WITHOUT THE WRITTEN PERMISSION OF ENCONNEX LLC. THIS DRAWING IS SUBJECT TO CHANGE WITHOUT NOTICE.

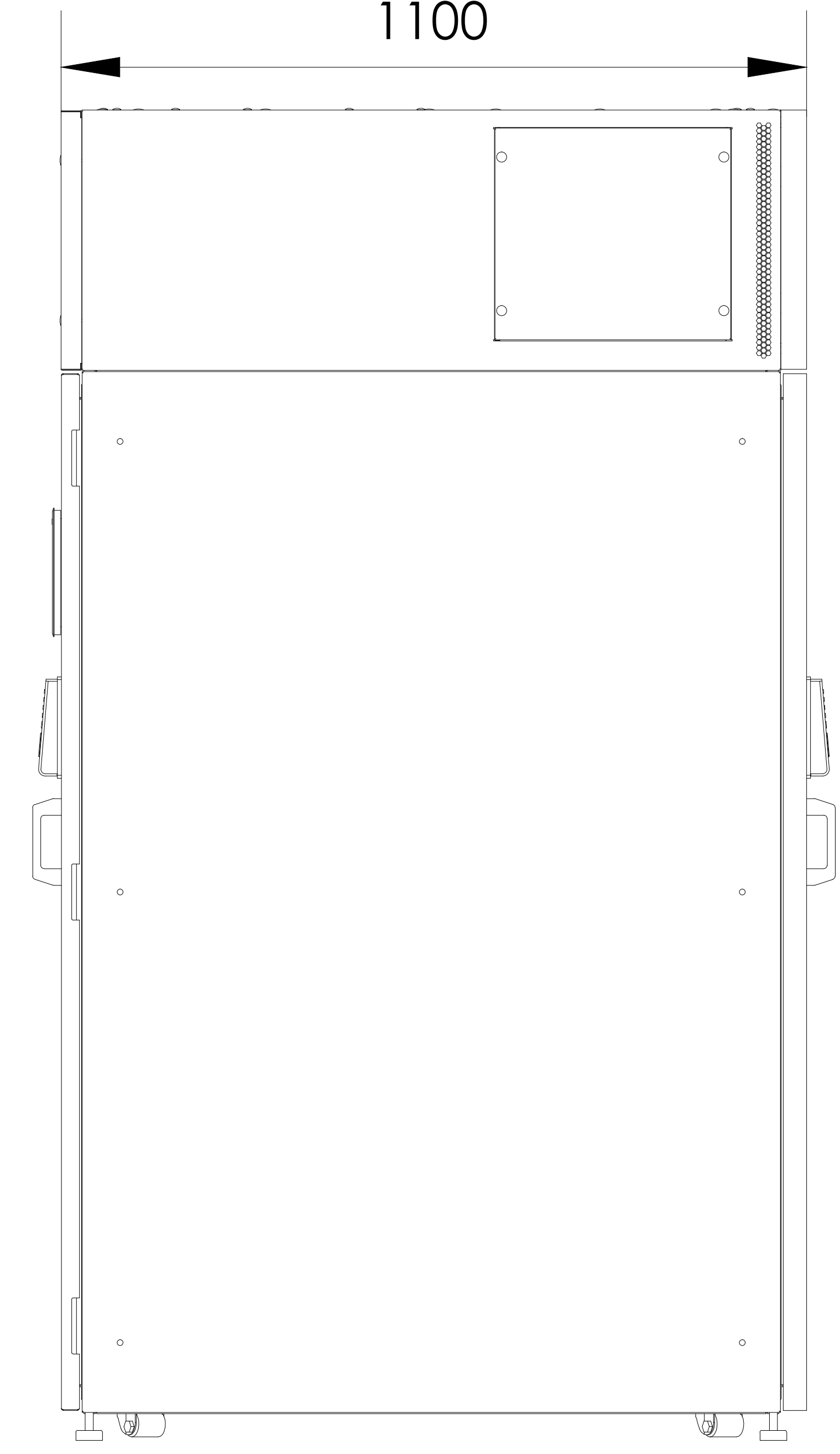
REVISIONS			
REV	DESCRIPTION	DATE	APPROVED
A	Full Release	2021.9.24	FANCY FAN



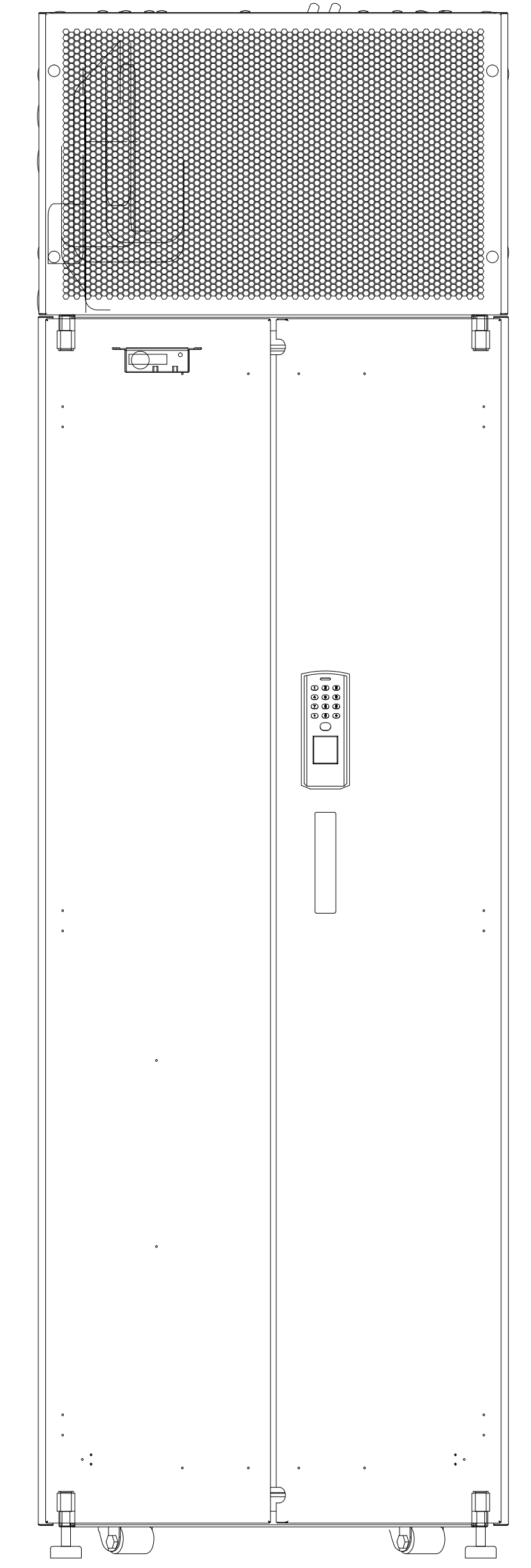
Top View



Front View




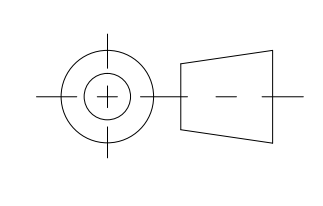
Side View



Rear View

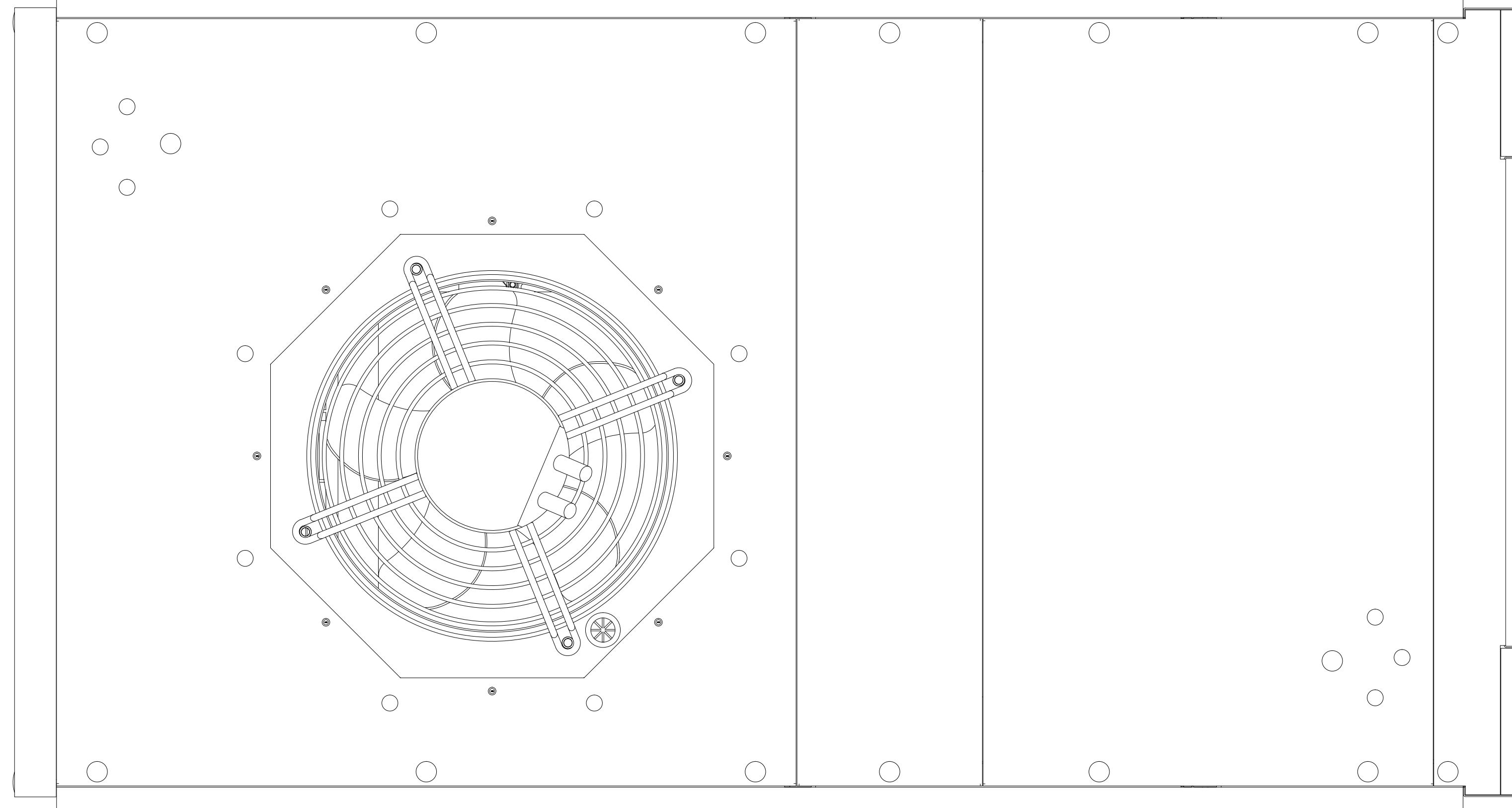
Notes:

This drawing and its specifications are the property of ENCONNEX and shall not be copied, reproduced, or used in whole or in part, as the basis for the manufacture or sale of items without written permission from ENCONNEX. This drawing is based upon the latest available information and is subject to change without notice.

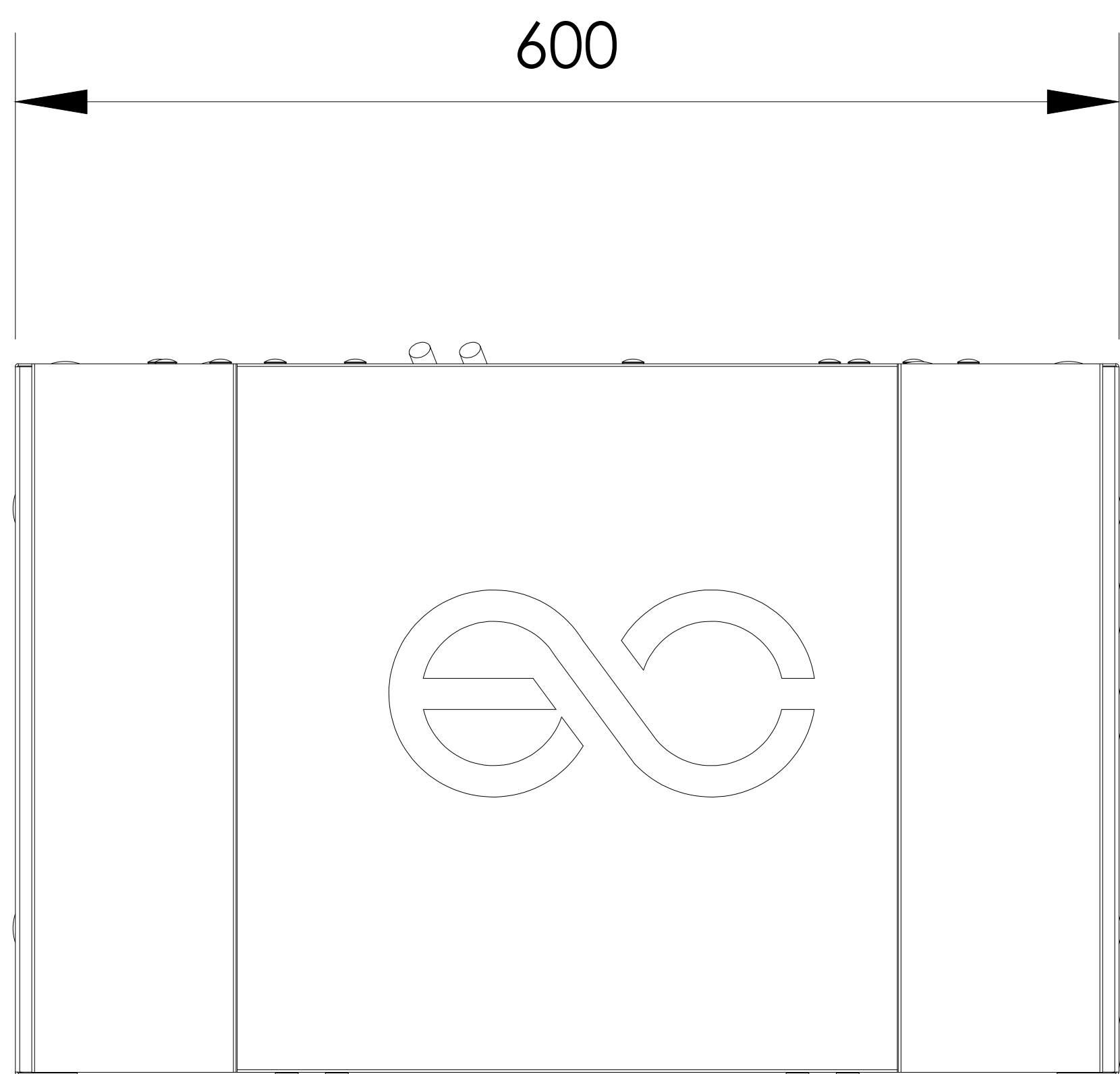
UNLESS NOTED, DIMENSIONS IN MILLIMETERS & TOLERANCES ARE:		 ENCONNEX 4670 AIRCENTER CIRCLE, RENO, NV89502	PRODUCT LINE: Edge Rack
X: ±1 MM	X° ±1°		PART NUMBER: ECX-ER3P-42UXX
X.X ±0.5 MM	X.X° ±0.5°	DESCRIPTION: EdgeRack 3P	ENGINEER: LIJUN WANG
X.XX ±0.20 MM			DRAWN: WAYNE WANG
ØX.X ±0.3 MM			ORG DATE: 2021.9.24
ØX.XX ±0.10 MM			REV DATE: 2021.9.24
 THIRD ANGLE PROJECTION	DRAWING FILE NAME ECX-ER3P-42UXX	ENGINEER: LIJUN WANG	ORG DATE: 2021.9.24
	3D MODEL FILE NAME ECX-ER3P-42UXX	DRAWN: WAYNE WANG	REV DATE: 2021.9.24
	3D MODEL CONFIGURATION	ITEM WEIGHT (REFERENCE ONLY)	REV: A
UNITS:MM(IN)	INTERPRET TO ASME Y14.100	SIZE: A	SCALE:1:1 DO NOT SCALE DRAWING SHEET:2/3

THIS DRAWING AND SPECIFICATIONS HEREIN ARE THE PROPERTY OF ENCONNEX LLC. AND SHALL NOT BE COPIED, REPRODUCED OR USED IN WHOLE OR IN PART, AS THE BASIS FOR THE MANUFACTURE OR SALE OF ITEMS WITHOUT THE WRITTEN PERMISSION OF ENCONNEX LLC. THIS DRAWING IS SUBJECT TO CHANGE WITHOUT NOTICE.

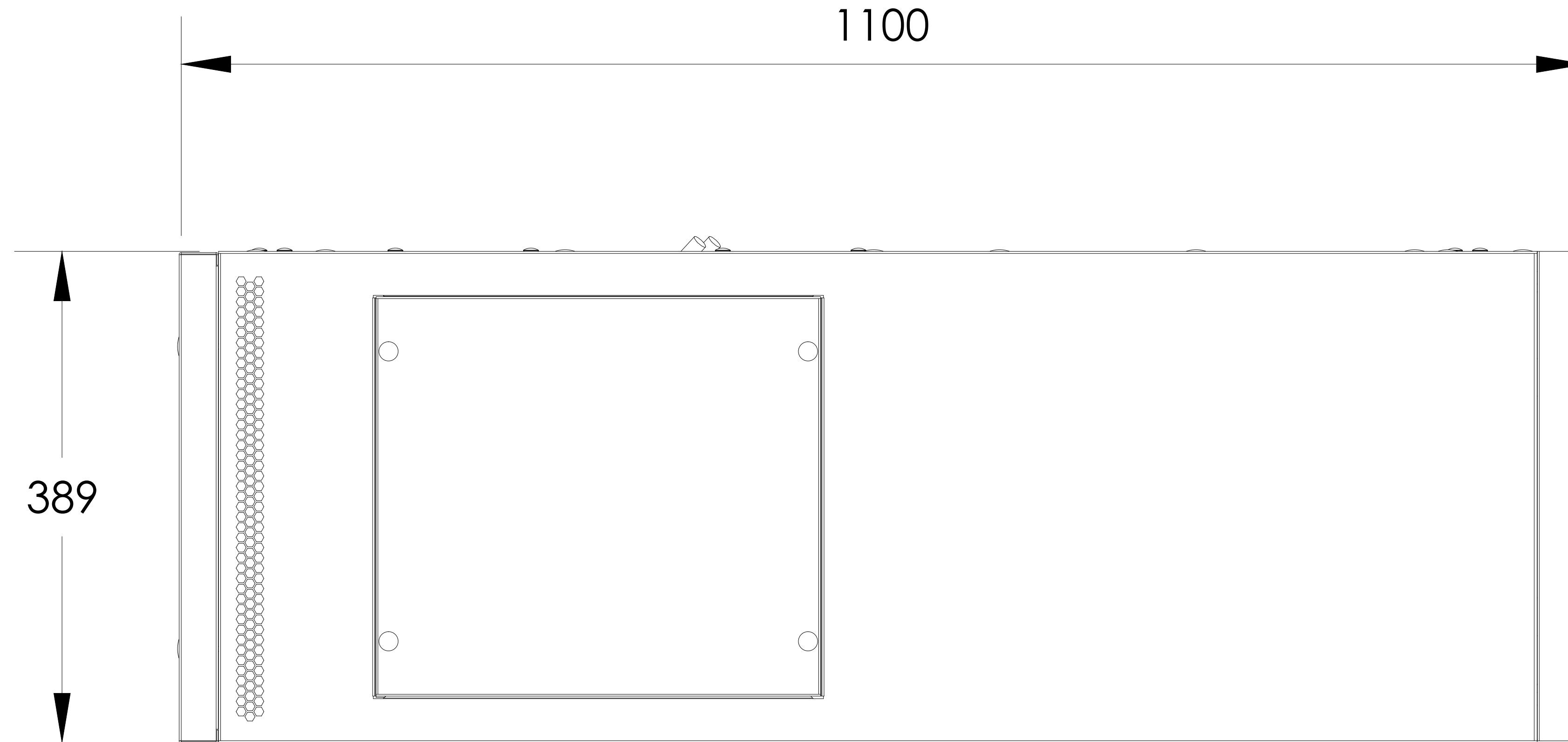
REVISIONS			
REV	DESCRIPTION	DATE	APPROVED
A	Full Release	2021.9.24	FANCY FAN



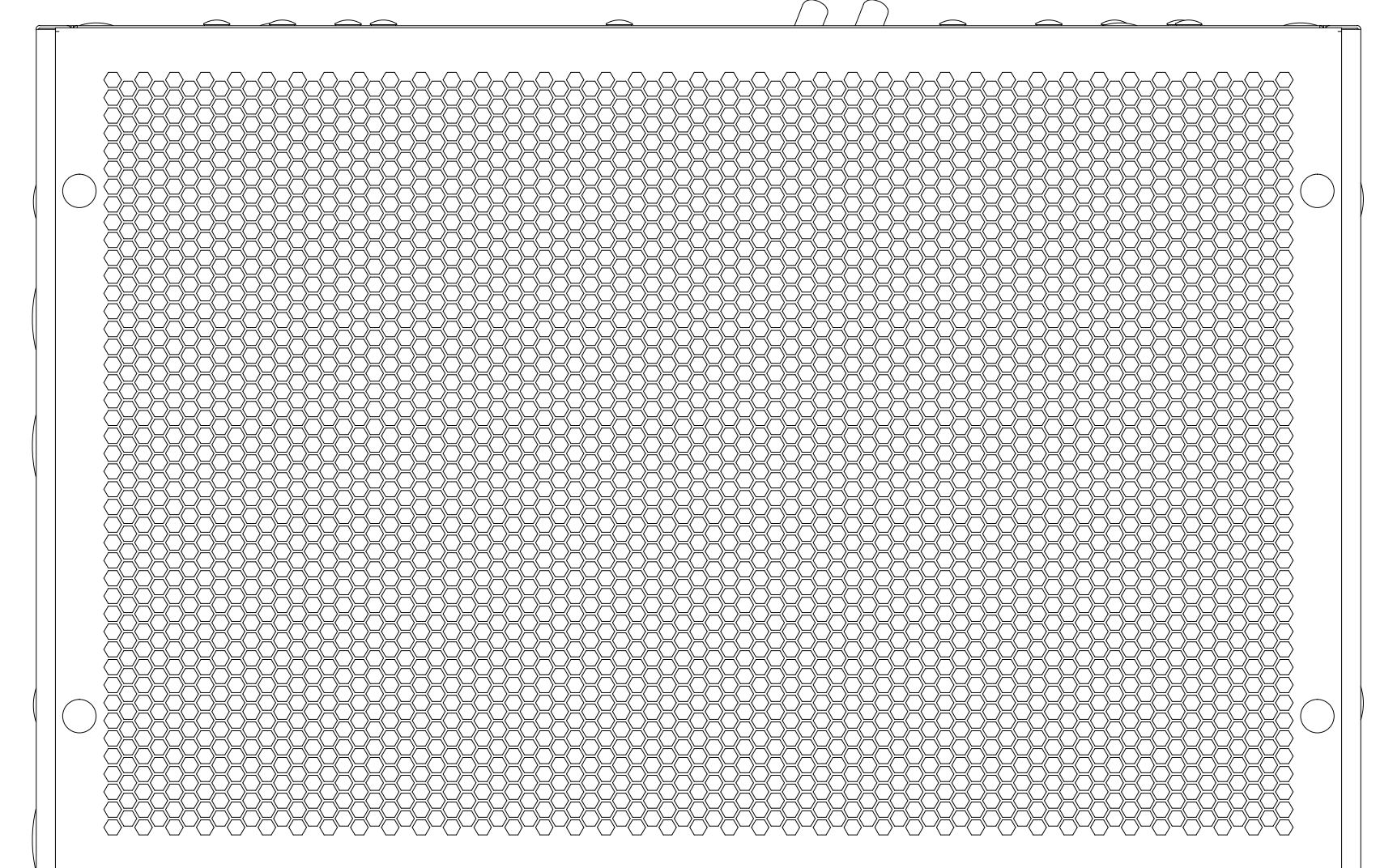
Top View



Front View




Side View



Rear View

Notes:

This drawing and its specifications are the property of ENCONNEX and shall not be copied, reproduced, or used in whole or in part, as the basis for the manufacture or sale of items without written permission from ENCONNEX. This drawing is based upon the latest available information and is subject to change without notice.

UNLESS NOTED, DIMENSIONS IN MILLIMETERS & TOLERANCES ARE:		 ENCONNEX	PRODUCT LINE: Edge Rack
X: ±1 MM	X° ±1°		PART NUMBER: ECX-ER3P-42UXX
X.X ±0.5 MM	X.X° ±0.5°	4670 AIRCENTER CIRCLE, RENO, NV89502	DESCRIPTION: Air-conditioner
X.XX ±0.20 MM			DRAWING FILE NAME ECX-ER3P-42UXX
ØX.X ±0.3 MM		ENGINEER: LIJUN WANG	ORG DATE: 2021.9.24
ØX.XX ±0.10 MM		DRAWN: WAYNE WANG	REV DATE: 2021.9.24
		3D MODEL FILE NAME ECX-ER3P-42UXX	REV: A
		3D MODEL CONFIGURATION	ITEM WEIGHT (REFERENCE ONLY)
THIRD ANGLE PROJECTION			
UNITS:MM(IN)	INTERPRET TO ASME Y14.100	SIZE: A	SCALE:1:1 DO NOT SCALE DRAWING SHEET:3/3