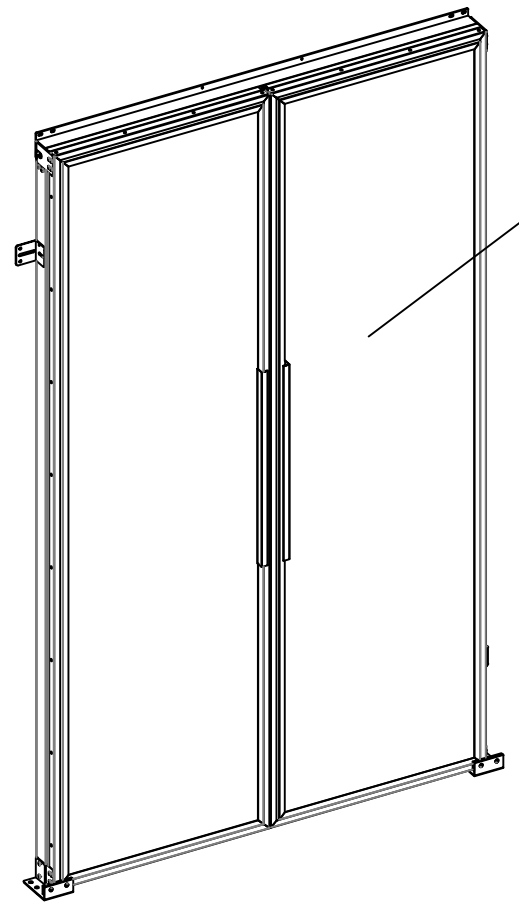
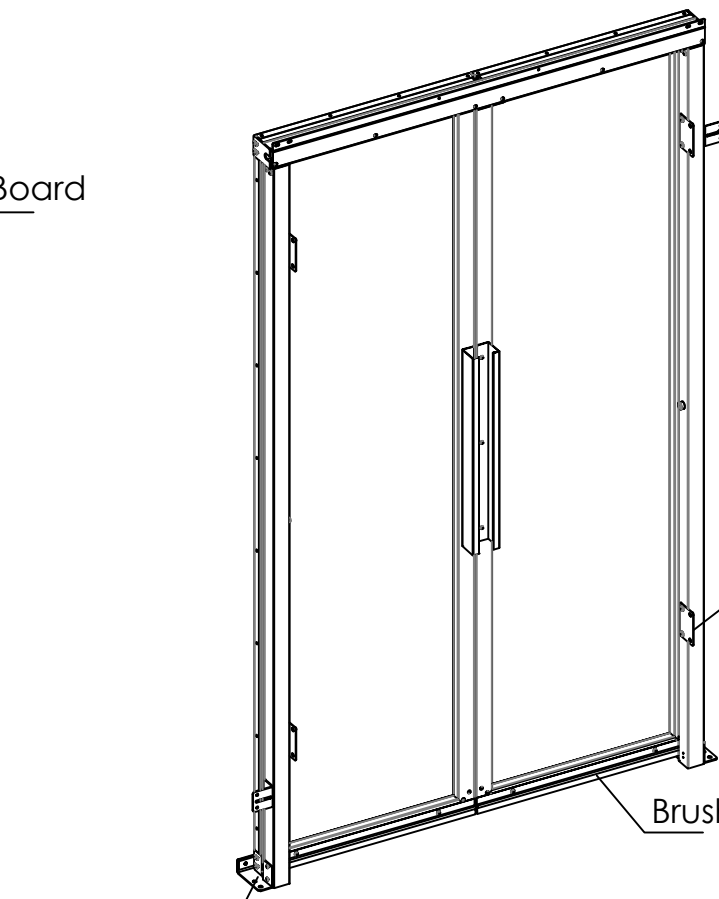


THIS DRAWING AND SPECIFICATIONS HEREIN ARE THE PROPERTY OF ENCONNEX LLC, AND SHALL NOT BE COPIED, REPRODUCED OR USED IN PART, AS THE BASIS FOR THE MANUFACTURE OR SALE OF ITEMS WITHOUT THE WRITTEN PERMISSION OF ENCONNEX LLC. THIS DRAWING IS SUBJECT TO CHANGE WITHOUT NOTICE.

REVISIONS				
REV.	SUFFIX	DESCRIPTION	DATE	APPROVED
A		CONTROL RELEASE	2020/04/30	SAM.DING


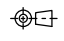


FRONT



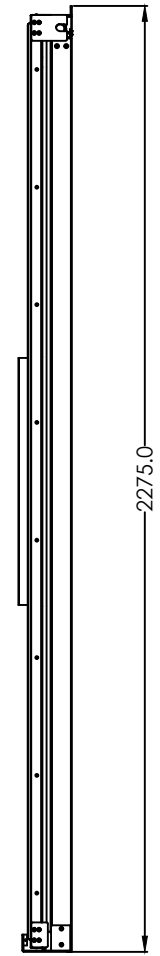
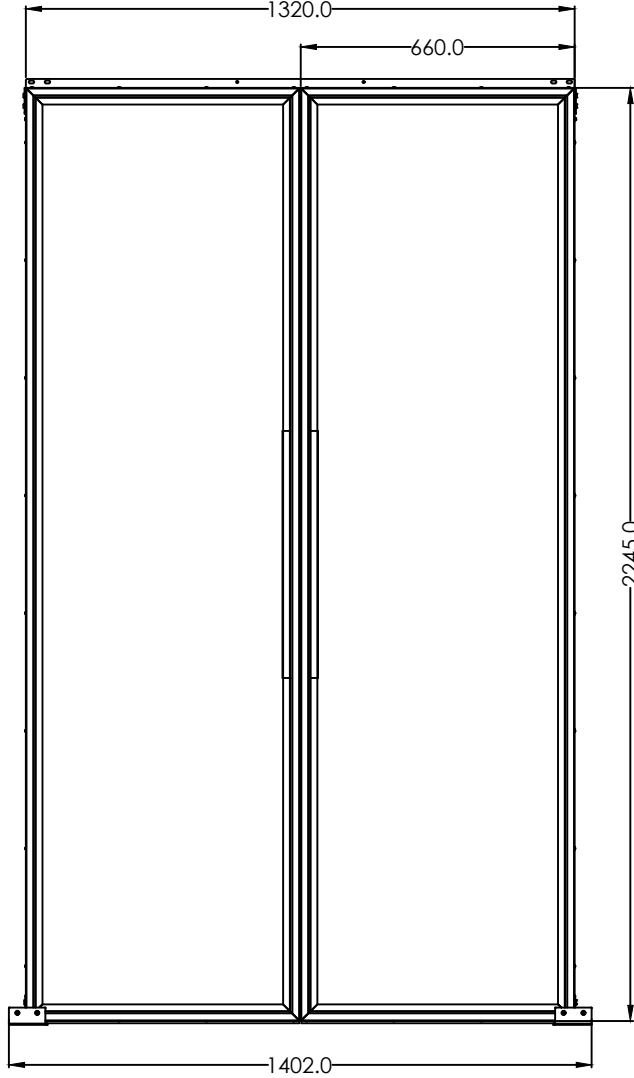
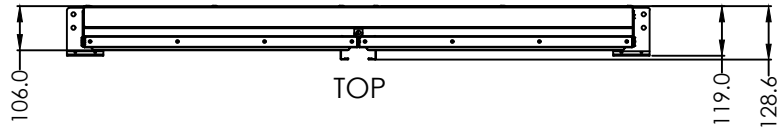
REAR


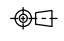
Ground Fixing Bracket

TOLERANCES LINER(mm) X=± 1 X.X=±0.5 X.XX=± 0.30 X.XXX=± 0.130 ANGULAR X°=± 1° X.X°=± 0.5° X.XX°=± 0.25°	MATERIAL:VARIOUS	 ENCONNEX 4670 AIRCENTER CIRCLE, RENO, NV89502	PART NUMBER: ECX-CTMT-12DS-2275
	FINISH -W: RAL 9003 -B: RAL 9005		DESCRIPTION: Semi-Automatic Sliding Door
 DEBUR AND BREAK SHARP EDGES/CORNERS AT 0.2mm MAX	DRAWN BY: SAM.DING APPROVED BY: FANCY.FAN	ORG DATE: 2020/04/30 REV DATE: 2020/04/30	SHEET: 1/2 REV: A
UNITS:MM[IN]	INTERPRET TO ASME Y14.100	SCALE:N/A	SIZE:

THIS DRAWING AND SPECIFICATIONS HEREIN ARE THE PROPERTY OF ENCONNEX LLC, AND SHALL NOT BE COPIED, REPRODUCED OR USED IN PART, AS THE BASIS FOR THE MANUFACTURE OR SALE OF ITEMS WITHOUT THE WRITTEN PERMISSION OF ENCONNEX LLC. THIS DRAWING IS SUBJECT TO CHANGE WITHOUT NOTICE.

REVISIONS				
REV.	SUFFIX	DESCRIPTION	DATE	APPROVED
A		CONTROL RELEASE	2020/04/30	SAM.DING



TOLERANCES LINER(mm) X=±1 X.X=±0.5 X.XX=±0.30 X.XXX=±0.130 ANGULAR X°=±1° X.X°=±0.5° X.XX°=±0.25°	MATERIAL:VARIOUS	 ENCONNEX 4670 AIRCENTER CIRCLE, RENO, NV89502	PART NUMBER: ECX-CTMT-12DS-2275
	FINISH -W: RAL 9003 -B: RAL 9005		DESCRIPTION: Semi-Automatic Sliding Door
 DEBUR AND BREAK SHARP EDGES/CORNERS AT 0.2mm MAX	DRAWN BY: SAM.DING APPROVED BY: FANCY.FAN	ORG DATE: 2020/04/28 REV DATE: 2020/04/28	SHEET: 1/2 REV: A
UNITS:MM[IN]	INTERPRET TO ASME Y14.100	SIZE:	SCALE:N/A