

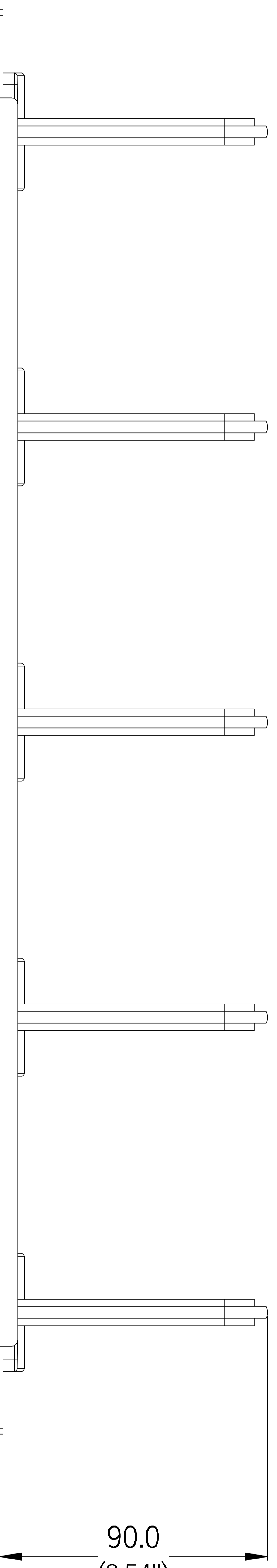
465.0  
(18.31")

482.0  
(18.98")

32.0  
(1.26")

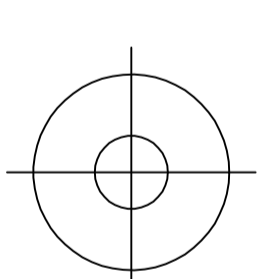
44.0  
(1.73")

90.0  
(3.54")



**Notes:**

This drawing and specifications are the property of ENCONNEX and shall not be copied, reproduced or used in whole or in part, as the basis for the manufacture or sale of items without written permission from ENCONNEX. This drawing is the based upon latest available information and is subject to change without notice.



**PROJECT:**  
1U 5-Ring Cable Manager

**DRAWN BY:** Amy Zhu

**APPROVED BY:** PAUL WEBER

**UNIT: MM&INCH**    **DATE:** 2018-05-24

**SCALE:** 1 : 1    **PAGE:** 1/1    **REV:** A



1 2 3 4 5 6 7 8