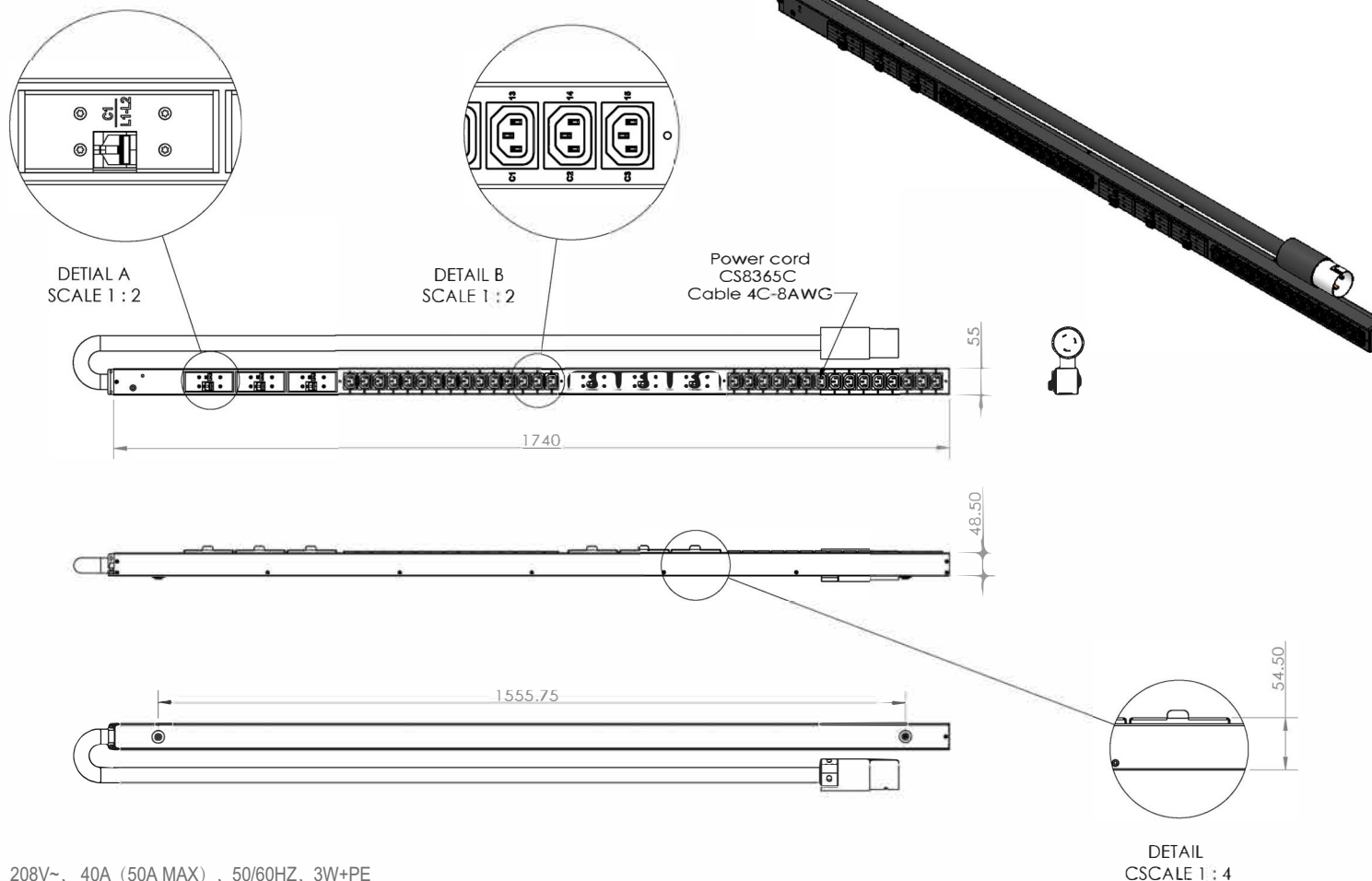


Notes/Instructions:

REV	REV DATE	DESCRIPTION	APPROVAL
-	-	-	-




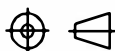
Notes:

1. Input: 208V~, 40A (50A MAX) , 50/60HZ, 3W+PE
2. Output: 208V~, 12A/C13, 20A/Branch
3. 30 ports of C13 outlets alternating phase configuration.

Notes:

This drawing and its specifications are the property of ENCONNEX and shall not be copied, reproduced, or used in whole or in part, as the basis for the manufacture or sale of items without written permission from ENCONNEX. This drawing is based upon the latest available information and is subject to change without notice.

DETAIL C
SCALE 1 : 4

TOLERANCES LINEAR (mm) X = ± 1 X.X = ± 0.5 X.XX = ± 0.30 X.XXX = ± 0.130 ANGULAR X = 1° .X = 0.5° .XX = 0.25°	PRODUCT:	 ENCONNEX 4670 AIRCENTER CIRCLE, RENO, NV 89502	PART NUMBER: ECX-BV1830000-K
	WEIGHT:		DESCRIPTION:
 DEBUR AND BREAK SHARP EDGES/CORNERS AT 0.2mm MAX	DRAWN BY: AMY ZHU	ORG DATE: 2020-02-11	
	INTERPRET TO ASME Y14.100	APPROVED BY: FANCY FAN	REV DATE: 2020-02-11
UNITS: mm [in]	SIZE: A4	SCALE: N/A	SHEET: 1/1
	INTERPRET TO ASME Y14.100		REV: A