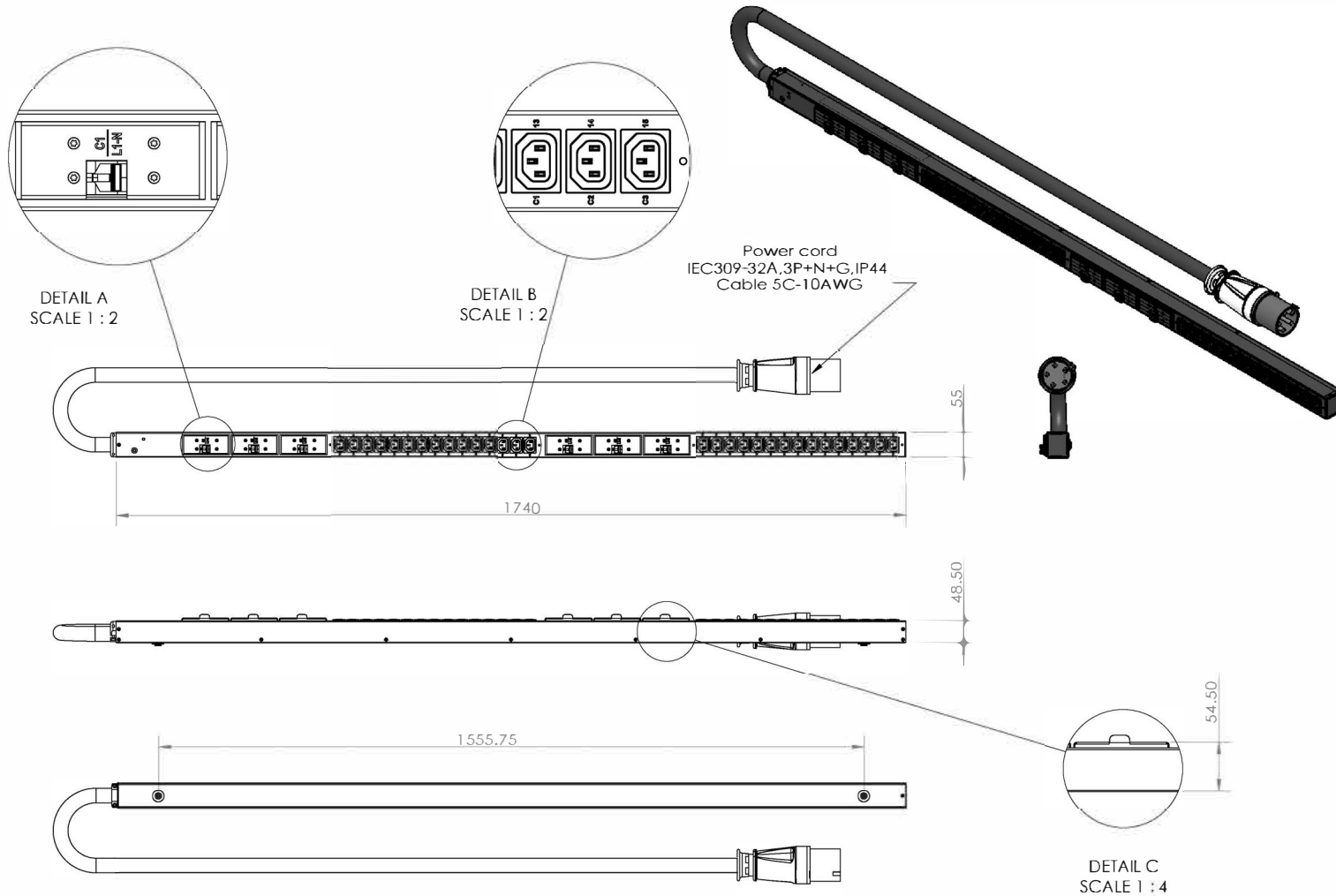


Notes/Instructions:


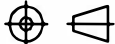
REV	REV DATE	DESCRIPTION	APPROVAL
-	-	-	-



- Notes:
- 30 pcs of C13 outlets, alternative phase configuration.
  - 230/400V 30A 3-phase WYE configuration.

**Notes:**

This drawing and its specifications are the property of ENCONNEX and shall not be copied, reproduced, or used in whole or in part, as the basis for the manufacture or sale of items without written permission from ENCONNEX. This drawing is based upon the latest available information and is subject to change without notice.

<b>TOLERANCES</b> LINEAR (mm) X = ± 1 XX = ± 0.5 XXX = ± 0.30 X.XXX = ± 0.130 ANGULAR X = 1° .X = 0.5° XX = 0.25°	<b>PRODUCT:</b>	 <b>ENCONNEX</b>	<b>PART NUMBER:</b> ECX-BV1730000-T
	<b>WEIGHT:</b>		4670 AIRCENTER CIRCLE, RENO, NV 89502
	DEBUR AND BREAK SHARP EDGES/CORNERS AT 0.2mm MAX	DRAWN BY: AMY ZHU APPROVED BY: FANCY FAN	ORG DATE: 2020-02-11 REV DATE: 2020-02-11
	UNITS: mm [in]	INTERPRET TO ASME Y14.100	SIZE: A4 SCALE: N/A