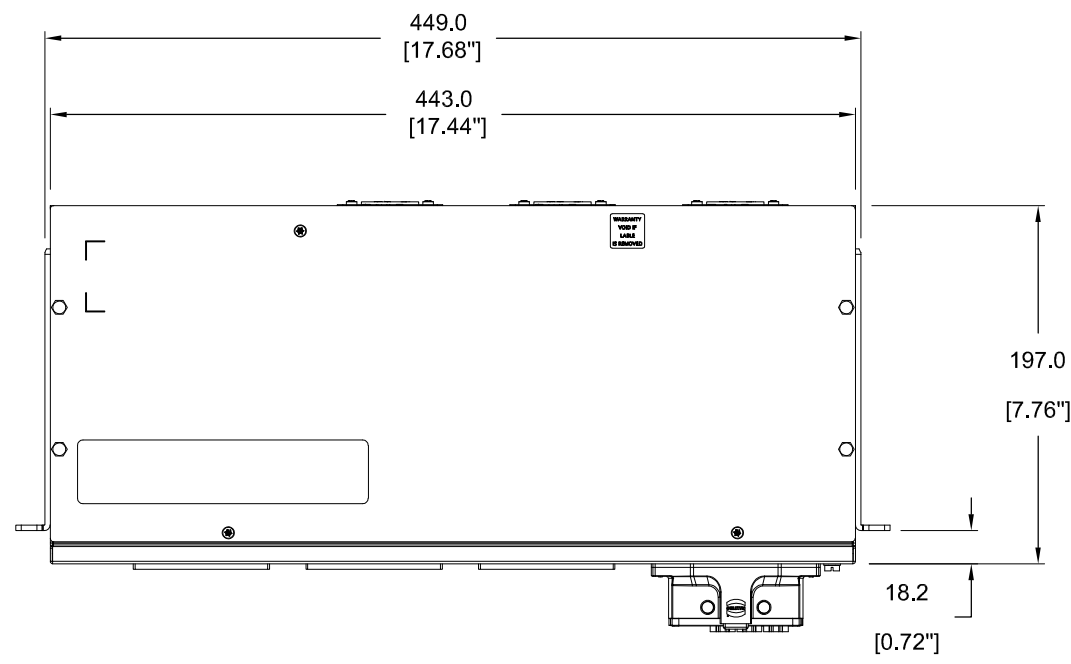
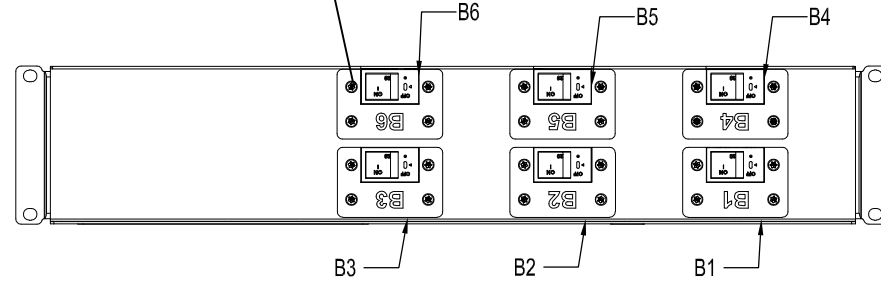


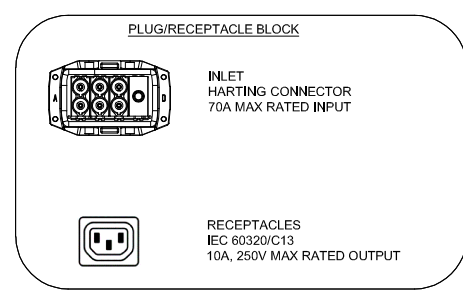
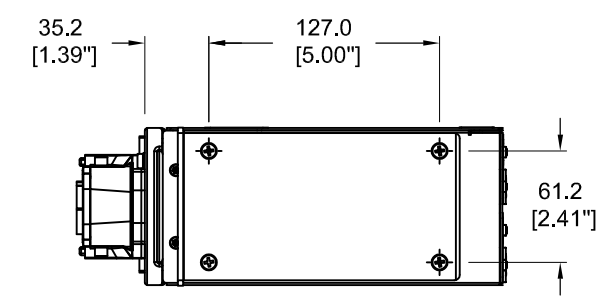
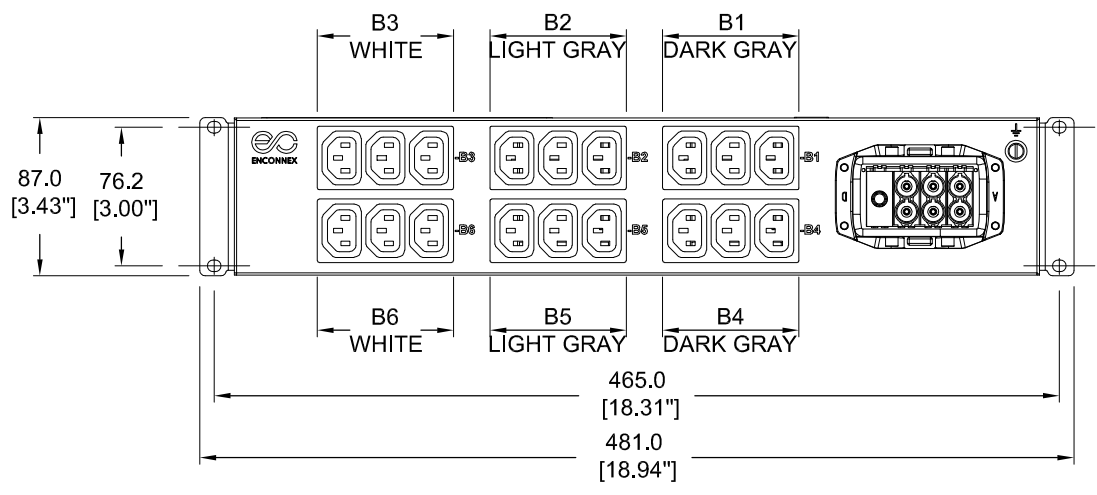
Notes/Instructions:

REV	REV DATE	DESCRIPTION	APPROVAL
A	2019-05-10	RELEASE	

20AMP,SINGLE-POLE ELECTRO
MECHANICAL SWITCH/BREAKER(2) PLACE,10KA



UNIT TYPE: BASIC
 ORIENTATION: HORIZONTAL,2U
 OUTLET QTY&TYPE: (18) C13
 INPUT VOLTAGE: -
 INPUT CURRENT: -
 BREAKER QTY&TYPE: (2)20AMP,DOUBLE POLE,10KA
 INPUT PHASE: THREE PHASE
 RATED POWER: -
 INPUT PLUG: -
 INPUT POWER CORD: -
 REGULATORY STANDARD: RoHS COMPLIANT

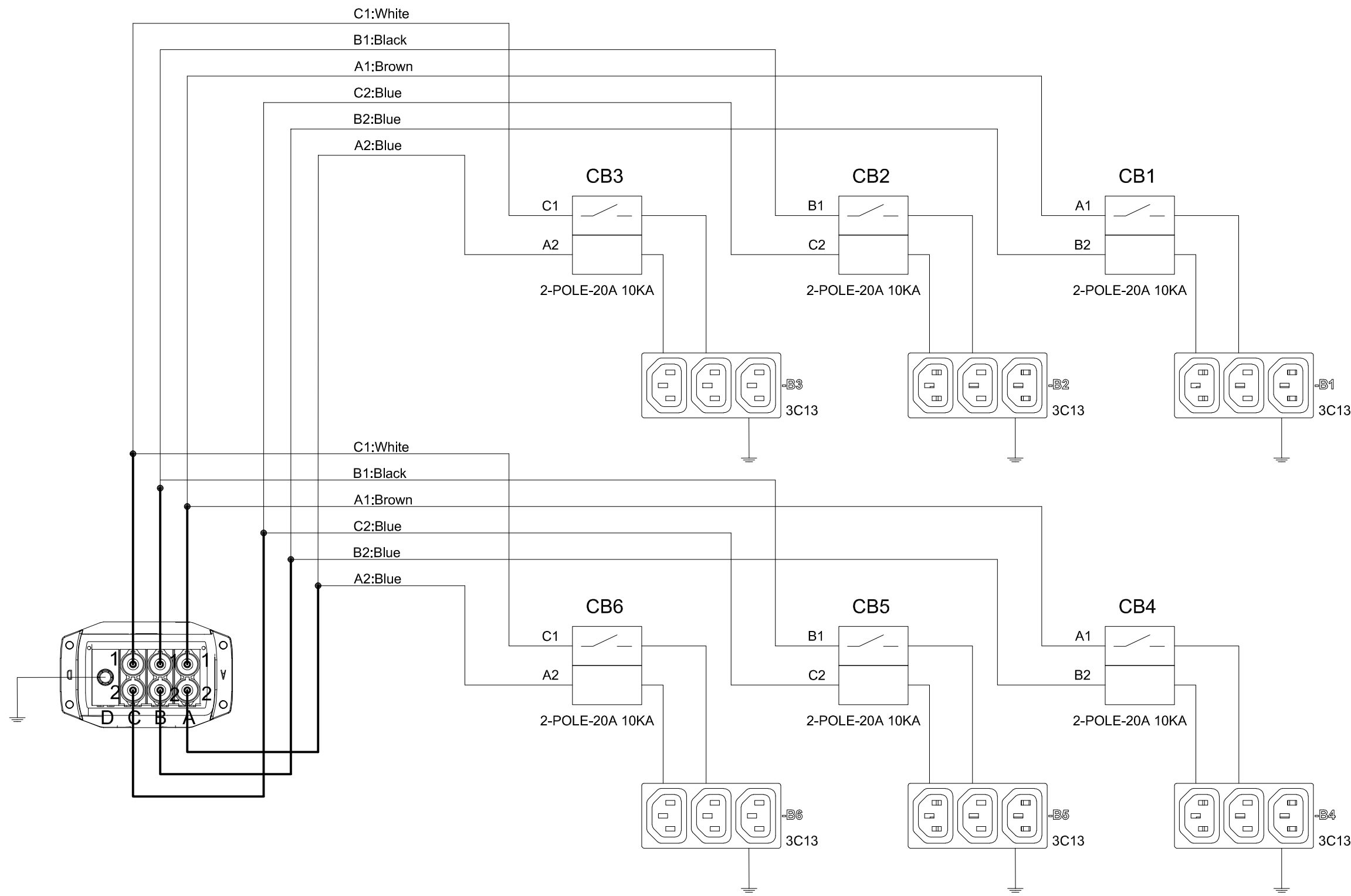


Notes:
 This drawing and its specifications are the property of ENCONNEX and shall not be copied, reproduced, or used in whole or in part, as the basis for the manufacture or sale of items without written permission from ENCONNEX. This drawing is based upon the latest available information and is subject to change without notice.

TOLERANCES LINEAR (mm) X = ± 1 XX = ± 0.5 XXX = ± 0.30 XXXX = ± 0.130 ANGULAR X = 1° XX = 0.5° XXX = 0.25°	MATERIAL:	ENCONNEX 4670 AIRCENTER CIRCLE, RENO, NV 89502	PART NUMBER: ECX-BH1818000-7
	DESCRIPTION:		DESCRIPTION: BASIC SERIES PDU
DEBUR AND BREAK SHARP EDGES/CORNERS AT 0.2mm MAX	APPROVED BY:	DRAWN BY: Leo Liu	ORG DATE: 2019-05-10
UNITS: mm [in]	INTERPRET TO ASME Y14.100	SIZE: A2	SCALE: 1:1
		SHEET: 1/1	REV: A


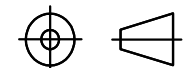
Notes/Instructions:

REV	REV DATE	DESCRIPTION	APPROVAL
A	2019-05-10	RELEASE	



Notes:

This drawing and its specifications are the property of ENCONNEX and shall not be copied, reproduced, or used in whole or in part, as the basis for the manufacture or sale of items without written permission from ENCONNEX. This drawing is based upon the latest available information and is subject to change without notice.

<p>TOLERANCES LINEAR (mm) X = ± 1 X.X = ± 0.5 X.XX = ± 0.30 X.XXX = ± 0.130 ANGULAR X = 1° .X = 0.5° .XX = 0.25°</p>	MATERIAL:	 4670 AIRCENTER CIRCLE, RENO, NV 89502	PART NUMBER: ECX-BH1818000-7
	DESCRIPTION:		DESCRIPTION: Wiring Scheme
	DEBUR AND BREAK SHARP EDGES/CORNERS AT 0.2mm MAX	DRAWN BY: Hanson Xu APPROVED BY:	ORG DATE: 2019-05-10 REV DATE: 2019-05-10
UNITS: mm [in]	INTERPRET TO ASME Y14.100	SIZE: A SCALE: 1 : 1	SHEET: 1/1 REV: A