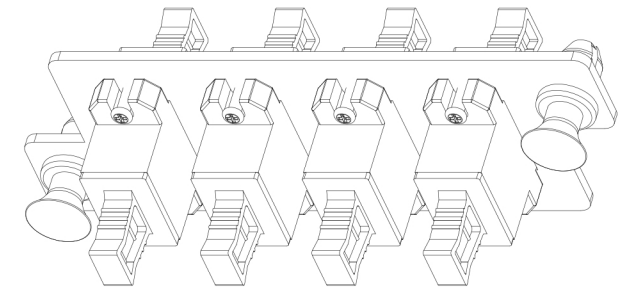
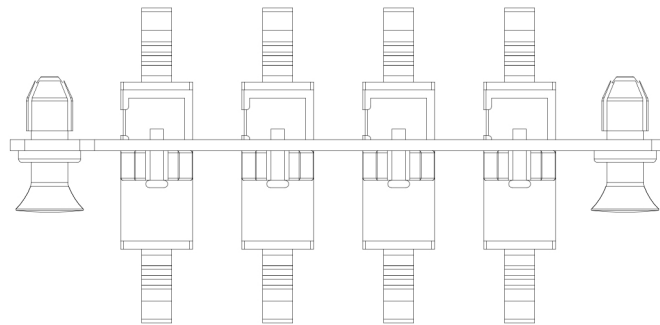
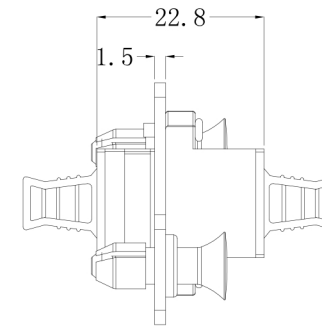
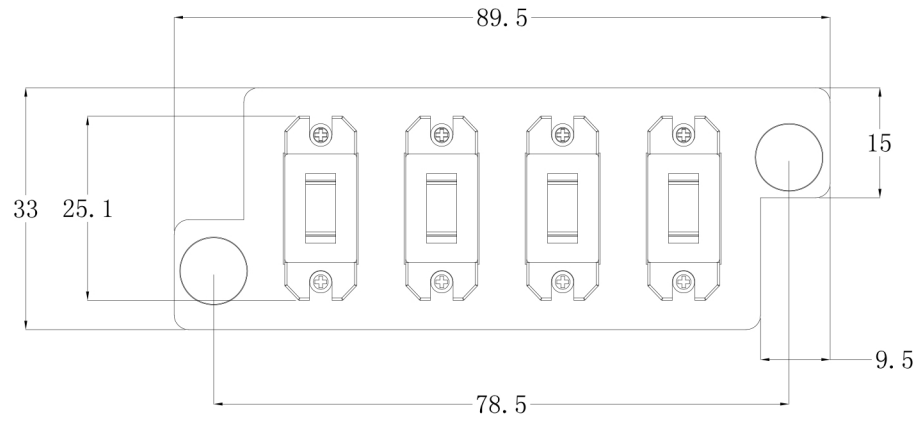




Tolerance			
Length	Super	High	Comm
<3	0.05	0.1	--
3T0<6	0.05	0.1	0.2
6T0<30	0.1	0.2	0.5
30T0<120	0.15	0.3	0.8
120T0<315	0.2	0.5	1.2

Version	Mark	Date	Before	Current
A0				



	UNIT	mm	PAGE	1/1	MODEL	1U Wiring Box
	SCALE	1.000	DRAW	---	DRAW NO.	FBK-MTP Adapter-002
	MAT.		CHECK		NAME	MTP Quadruple adapter
	DATE	5-Set-16	APPR.		MAT_NO.	FBK-MTP Adapter-002
VIEW		Enconnex				